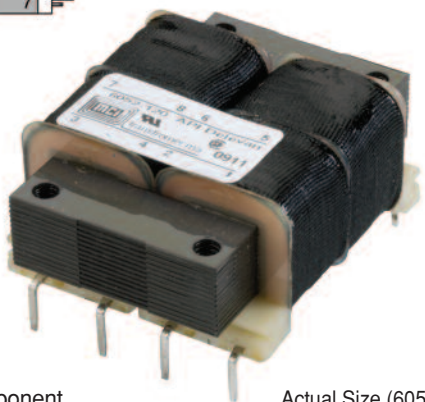
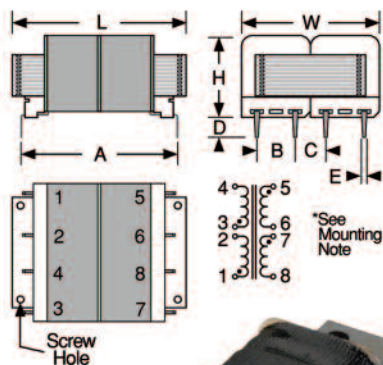


# SERIES

## 6051R – 6055R

### Low Profile PC Power Transformers



Actual Size (6051)

**UL Certified**  
 Recognized component  
 Underwriters Labs, Inc.  
 CSA Labeled

**Primary Voltage** 115/230 V

**Operating Frequency** 50/60 Hz

**Operating Temperature** 130° C

1500 V RMS Hipot

Split bobbin non-concentric winding

Dots on schematic indicate like polarity

**Mounting Note**

Series 6051, 6052 and 6053 – 4 mounting holes

23/16 in. x 13/4 in. for #6 screw

Series 6054 and 6055 – 2 mounting holes

\*See mechanical drawing for correct PCB footprint.

\*Complete part # must include series # PLUS the dash #

# Transformers

PART NUMBER	VA	SECONDARY VOLTAGE PARALLEL CONNECTION (V)	SECONDARY VOLTAGE SERIES CONNECTION (V)	SECONDARY CURRENT PARALLEL CONNECTION (A)	SECONDARY CURRENT SERIES CONNECTION (A)
6051-010	2.5	10.0	5.0	0.250	0.500
6051-012	2.5	12.6	6.3	0.200	0.400
6051-016	2.5	16.0	8.0	0.156	0.312
6051-020	2.5	20.0	10.0	0.125	0.250
6051-024	2.5	24.0	12.0	0.104	0.208
6051-034	2.5	34.0	17.0	0.073	0.146
6051-040	2.5	40.0	20.0	0.062	0.124
6051-056	2.5	56.0	28.0	0.044	0.088
6051-088	2.5	88.0	44.0	0.028	0.056
6051-120	2.5	120.	60.0	0.020	0.040
6051-230	2.5	230.	115.	0.010	0.020
6052-010	6.0	10.0	5.0	0.600	1.200
6052-012	6.0	12.6	6.3	0.450	0.900
6052-016	6.0	16.0	8.0	0.350	0.700
6052-020	6.0	20.0	10.0	0.300	0.600
6052-024	6.0	24.0	12.0	0.250	0.500
6052-034	6.0	34.0	17.0	0.170	0.340
6052-040	6.0	40.0	20.0	0.150	0.300
6052-056	6.0	56.0	28.0	0.100	0.200
6052-088	6.0	88.0	44.0	0.065	0.130
6052-120	6.0	120.	60.0	0.050	0.100
6052-230	6.0	230.	115.	0.025	0.050
6053-010	12.0	10.0	5.0	1.200	2.400
6053-012	12.0	12.6	6.3	0.900	1.800
6053-016	12.0	16.0	8.0	0.700	1.400
6053-020	12.0	20.0	10.0	0.600	1.200
6053-024	12.0	24.0	12.0	0.500	1.000
6053-034	12.0	34.0	17.0	0.340	0.680
6053-040	12.0	40.0	20.0	0.300	0.600
6053-056	12.0	56.0	28.0	0.200	0.400
6053-088	12.0	88.0	44.0	0.130	0.260
6053-120	12.0	120.	60.0	0.100	0.200
6053-230	12.0	230.	115.	0.050	0.100
6054-010	24.0	10.0	5.0	2.400	4.800
6054-012	24.0	12.6	6.3	1.900	3.800
6054-016	24.0	16.0	8.0	1.500	3.000
6054-020	24.0	20.0	10.0	1.200	2.400
6054-024	24.0	24.0	12.0	1.000	2.000
6054-030	24.0	30.0	15.0	0.800	1.600
6054-034	24.0	34.0	17.0	0.700	1.400
6054-040	24.0	40.0	20.0	0.600	1.200
6054-056	24.0	56.0	28.0	0.425	0.850
6054-088	24.0	88.0	44.0	0.275	0.550
6054-120	24.0	120.	60.0	0.200	0.400
6054-230	24.0	230.	115.	0.100	0.200
6055-010	48.0	10.0	5.0	4.800	9.600
6055-012	48.0	12.6	6.3	3.800	7.600
6055-016	48.0	16.0	8.0	3.000	6.000
6055-020	48.0	20.0	10.0	2.400	4.800
6055-024	48.0	24.0	12.0	2.000	4.000
6055-030	48.0	30.0	15.0	1.600	3.200
6055-034	48.0	34.0	17.0	1.400	2.800
6055-040	48.0	40.0	20.0	1.200	2.400
6055-056	48.0	56.0	28.0	0.850	1.700
6055-088	48.0	88.0	44.0	0.550	1.100
6055-120	48.0	120.	60.0	0.400	0.800
6055-230	48.0	230.	115.	0.200	0.400

Physical Parameters & Mounting Information																		
	L		W		H		A		B		C		D		E		Weight	
	in.	mm	in.	mm	in.	mm	in.	mm	in.	mm	in.	mm	in.	mm	in.	mm	oz.	kg
6051	1.88	47.62	1.56	39.68	0.65	16.50	1.60	40.63	0.38	9.53			0.25	6.35	0.041	1.04	5	.142
6052	1.88	47.62	1.56	39.68	0.85	21.59	1.60	40.63	0.38	9.53			0.25	6.35	0.041	1.04	7	.219
6053	2.50	63.49	2.00	50.80	1.07	27.05	2.00	50.79	0.50	12.69			0.25	6.35	0.041	1.04	11	.312
6054	2.88	73.02	2.25	57.15	1.25	31.74	1.90	48.26	0.60	15.24	0.53	13.46	0.25	6.35	0.041	1.04	15	.426
6055	3.13	79.37	2.50	63.50	1.38	34.92	2.18	55.37	0.60	15.24	0.66	16.76	0.25	6.35	0.041	1.04	21	.596