



• IBD SIZE 60 mm

- Decentralized architecture with reduced wiring
- Programmability according to the standard IEC61131
- Maximum power concentration in a small size

HARDWARE FEATURES

Power supply

275 ÷ 730 Vdc (560 Vdc nominal)

Control supply

24 Vdc

Continuous torque

$M_0=1,3$ Nm

Rated speed

$V_n=5000$ rpm

Feedback

HIPERFACE absolute encoder single or multiturn

On board I/O's

3 digital inputs PNP 24 V

2 digital outputs PNP 24 V

1 programmable input/output PNP 24 V

Interface

EtherCAT, CANopen, PROFINET RT

Protection

IP65

Certification

CE, UL



FUNCTIONAL FEATURES

Stand alone programmability

According to the standard IEC61131

Integrated movement features

Device profile DS402, Interpolated mode, Positioning, Extended gearing function, Homing, Capture

Capture input

PC parametrization tool

Protections

I²t, Overload, Short-circuit, Overtemperature, Overvoltage





• IBD SIZES 80, 100, 142, 190 mm

- Decentralized architecture with reduced wiring
- Programmability according to the standard IEC61131
- Maximum power concentration in every size

HARDWARE FEATURES

Power supply

Nominal 560 Vdc (min 275 Vdc max 740 Vdc)

Control supply

275 Vdc

Continuous torque

M0 2,8 - 4 - 5,6 - 6 - 15,4 - 30 Nm

Rated speed

Vn=3000 rpm

Feedback

HIPERFACE absolute encoder single or multiturn

On board I/O's

6 digital IN 24 Vdc general purpose, configurable as:

PSTOP, NSTOP, Enable, Home, Capture, Step/Direction

3 digital OUT 24 Vdc 250mA, general purpose

1 digital IN/OUT 24 Vdc with configurable function

3 differential I/O's configurable as master incremental encoder

1 Analogue IN +/-10 V

Interface

EtherCAT, CANopen, PROFINET RT (flange 80, flange 100)

Safety

STO 2 channels, SIL3 (on models listed below)

IBD5610xxx/CAN.x00x0

IBD5640xxx/CAN.x00x0

IBD5610xxx/ETC.x00x0

IBD5640xxx/ETC.x00x0

IBD5620xxx/CAN.x00x0

IBD56F0xxx/CAN.x00x0

IBD5620xxx/ETC.x00x0

IBD56F0xxx/ETC.x00x0

IBD5630xxx/CAN.x00x0

IBD56G0xxx/CAN.x00x0

IBD5630xxx/ETC.x00x0

IBD56G0xxx/ETC.x00x0

Protection IP65

Option Motor brake

Certification CE

FUNCTIONAL FEATURES

Stand alone programmability

According to the standard IEC61131

Integrated movement features:

Device profile DS402, I

Positioning, Extended gearing function,

Homing, Capture

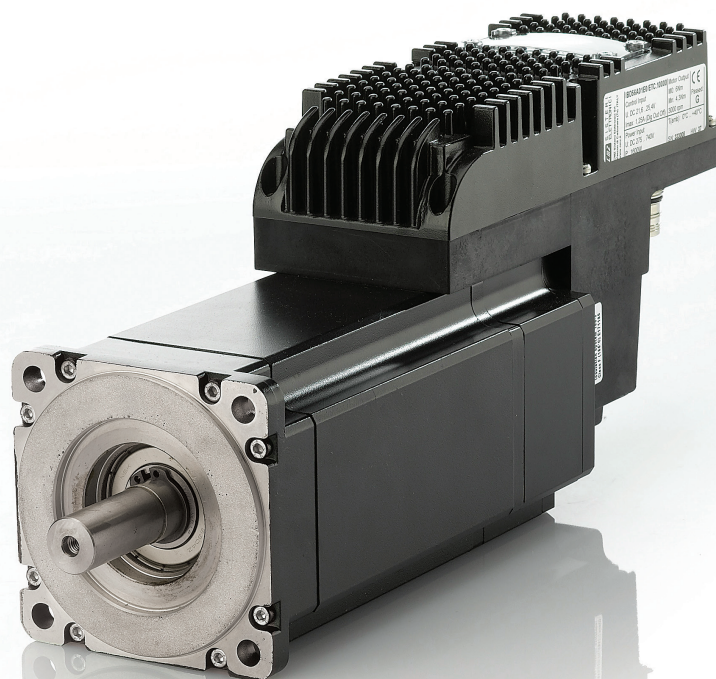
Capture input

PC parametrization tool

Protections

I2t, Overload, Short-circuit,

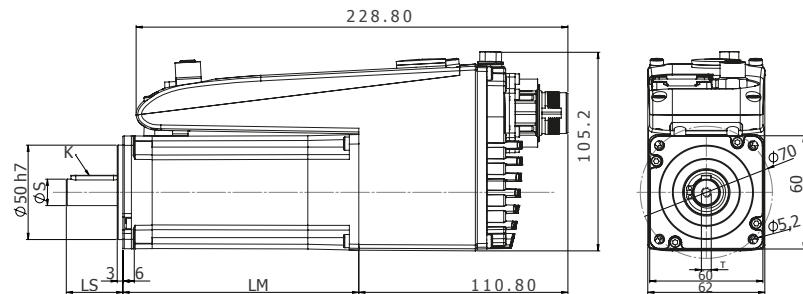
Overtemperature, Overvoltage



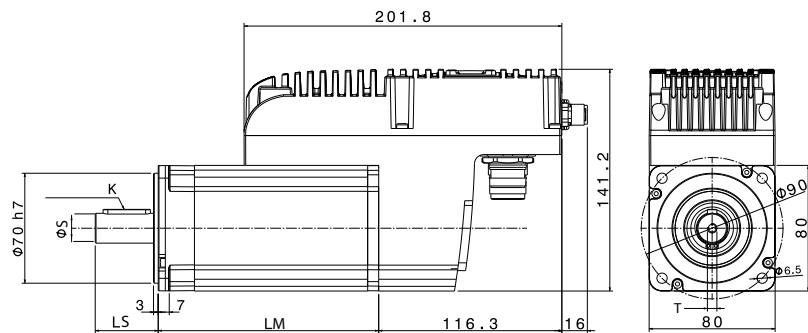
IBD

Brushless
integrated
drives

IBD Flange 60 mm



IBD Flange 80 mm



• OVERALL DIMENSIONS

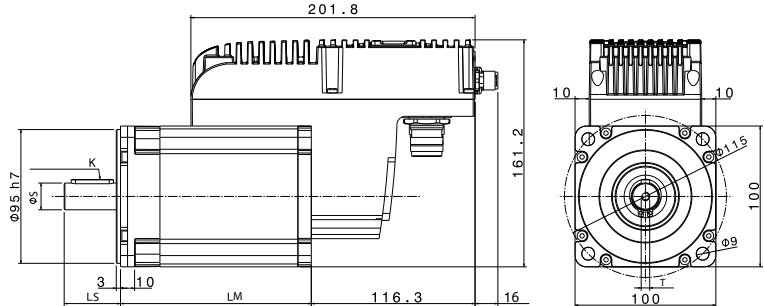
Type	IBD566C - 1,3 Nm	IBD5610 - 2,8 Nm	IBD5620 - 4 Nm
Flange (mm)	60	80	80
Lenght LM without brake (mm)	125	115	140
Lenght LM with brake (mm)	162	157	182
Shaft lenght LS (mm)	30	40	40
Shaft diameter (ϕS)	14h6	19h6	19h6
Thread (T)	M5	M6	M6
Key dimensions (K)	5x5x25	6x6x30	6x6x30

• TECHNICAL FEATURES

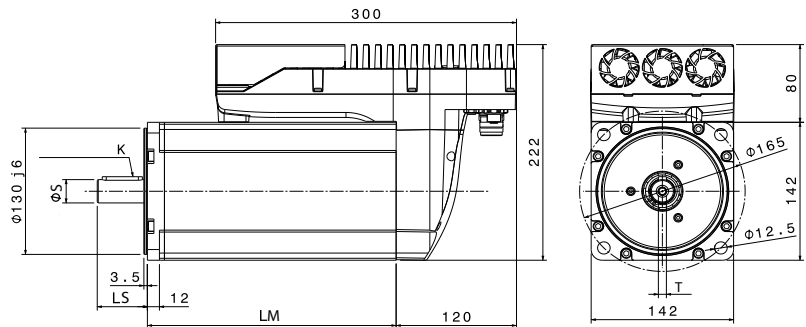
Type	M_0 Stall torque (Nm)	M_n Rated torque (Nm)	M_{peak} Peak Torque (Nm)	Power Watt* (W)	J_m Rotor Inertia (kgcm ²)	V_n Rated Speed (rpm)	IBD Weight no brake (Kg)	IBD Weight with brake (Kg)
IBD566C	1,3	0,9	3,9	550	0,24	5000	1,8	2
IBD5610	2,8	2,55	8,4	950	1,16	3000	4,1	4,8
IBD5620	4	3,2	12	1200	1,58	3000	5,1	5,8

* Power consumption in continuous operation

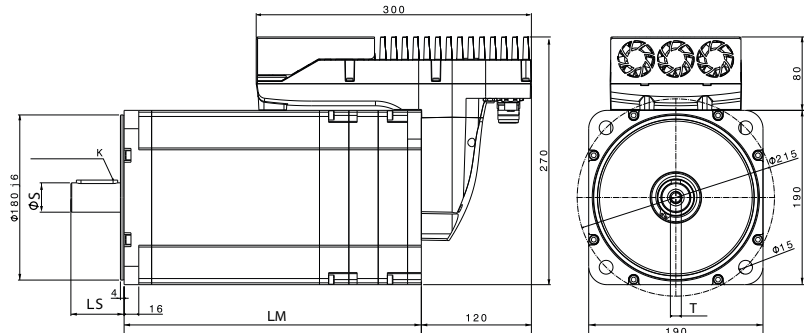
IBD Flange 100 mm



IBD Flange 142 mm



IBD Flange 190 mm



• OVERALL DIMENSIONS

Type	IBD5630 - 5,6 Nm	IBD5640 - 6 Nm	IBD56F0 - 15,4 Nm	IBD56G0 - 30 Nm
Flange (mm)	100	100	142	190
Lenght LM without brake (mm)	135,5	165,5	243	303,5
Lenght LM with brake (mm)	186	216	268	333,5
Shaft lenght LS (mm)	40	40	50	58
Shaft diameter (ϕS)	19h6	19h6	24k6	32k6
Thread (T)	M6	M6	M8	M12
Key dimensions (K)	6x6x30	6x6x30	8x7x40	10x8x45

• TECHNICAL FEATURES

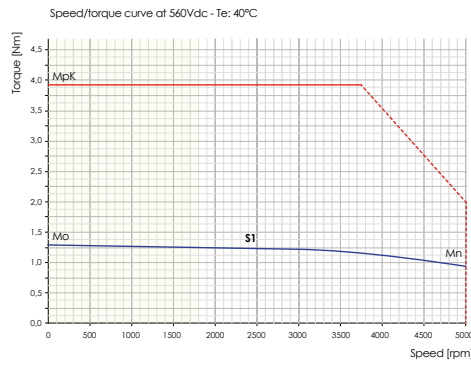
Type	M_0 Stall torque (Nm)	M_n Rated torque (Nm)	M_{peak} Peak Torque (Nm)	Power Watt* (W)	J_m Rotor Inertia (kgcm ²)	V_n Rated Speed (rpm)	IBD Weight no brake (Kg)	IBD Weight with brake (Kg)
IBD5630	5,6	4,3	22	1600	2,91	3000	6,7	7,9
IBD5640	6	5	22	1850	4	3000	8	9,2
IBD56F0	15,4	11,7	45	4300	11,5	3000	17	18,5
IBD56G0	30	25	70	9200	74	3000	38	43

*Power consumption in continuous operation

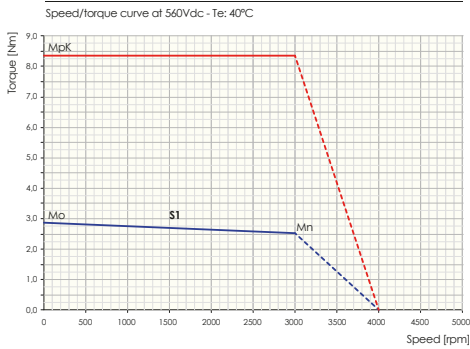
• TORQUE CURVES



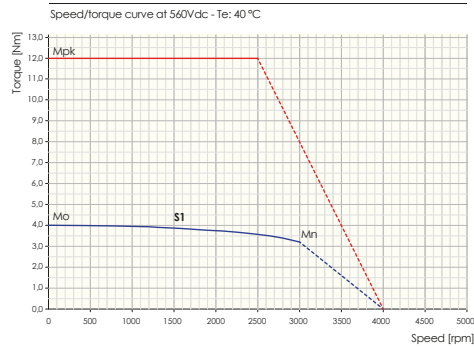
IBD566C Flange 60 - 1,3 Nm [M0]



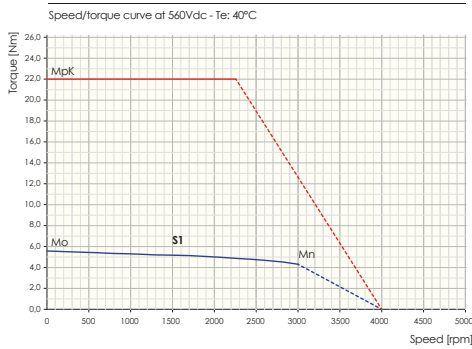
IBD5610 Flange 80 - 2,8 Nm [M0]



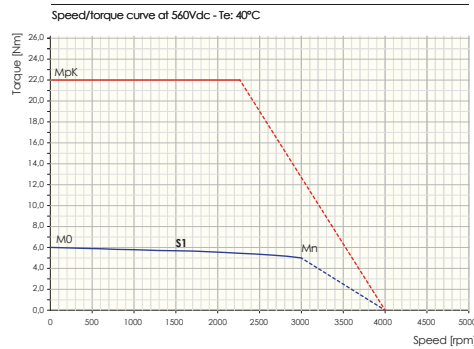
IBD5620 Flange 80 - 4 Nm [M0]



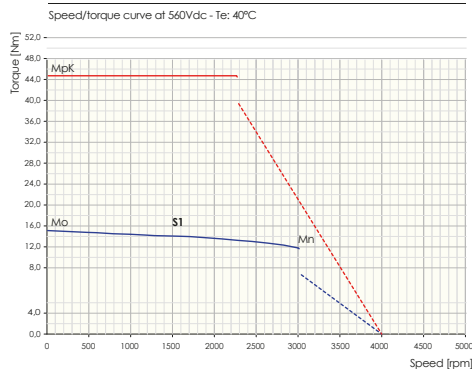
IBD5630 Flange 100 - 5,6 Nm [M0]



IBD5640 Flange 100 - 6 Nm [M0]



IBD56F0 Flange 142 - 15,4 Nm [M0]



IBD56G0 Flange 190 - 30 Nm [M0]

