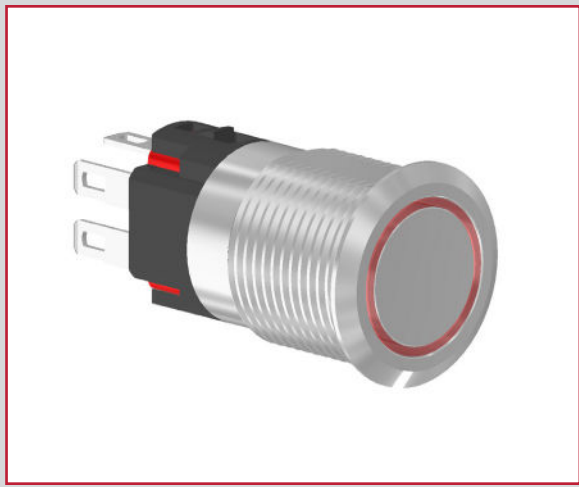


# PVB3 SERIES ANTI-VANDAL SWITCH

ANTI-VANDAL SWITCHES  
DETECTOR SWITCHES  
DIP SWITCHES  
KEYLOCK SWITCHES  
NAVIGATION SWITCHES  
PUSHBUTTON SWITCHES  
ROCKER SWITCHES  
ROTARY SWITCHES  
SLIDE SWITCHES  
SNAP ACTION SWITCHES  
TACTILE SWITCHES  
TOGGLE SWITCHES  
CAP OPTIONS



## APPLICATIONS / MARKETS



**RoHS**

## SPECIFICATIONS

**Electrical Rating:** 2A, 24VDC. 0.5A, 220VAC  
**Mechanical Life:** 1,000,000 Cycles (Momentary)  
 500,000 Cycles (Latching)  
**Electrical Life:** 50,000 Cycles  
**Contact Resistance:** 50mΩ Max.  
**Insulation Resistance:** 1000 MΩ Min. @ 500VDC  
**Dielectric Strength:** 1,500VAC  
**Operating/Storage Temperature:** -25°C to 55°C  
**Travel:** 3.0mm  
**Moisture Protection:** IP65  
**Contact Arrangement:** SPDT  
**Actuation Force:** 2.5N  
**Panel Thickness:** 1-7mm

## FEATURES & BENEFITS

- 16mm panel cutout
- Ring illumination option
- Multiple LED color options
- IP65 rated
- Momentary or Latching functions

## PART NUMBER CONFIGURATOR

Series	Actuator Options	Terminal Options	Function Options	Rating Options	Body Finish Options	Actuator Finish Options	Contact Material Options	Lens Style Option	LED-Color Options	Illumination Voltage Options
PVB3	F - Flat H - High	2 - Solder	B - 1P On - (On)* 3 - 1P On - On	0 - 2A, 24VDC. 0.5A, 220VAC	S - Stainless Steel 1 - Black Anodized	S - Stainless Steel 1 - Black Anodized	NONE - Silver	NONE - Non-Illuminated 3 - Ring Illumination 6 - Ring / Power symbol	NONE - Non-Illuminated 0 - White 1 - Red 2 - Orange 3 - Green 4 - Blue 5 - Yellow R - RGB Common Cathode RA - RGB Common Anode	NONE - Non-Illuminated 1 - Base Voltage* 3 - 6V 4 - 12V 5 - 24V 6 - 125V 7 - 250V

**NOTES:**  
 \*(ON) Denotes function is momentary  
 †Base voltage on LEDs:  
 1.8V @ 20mA for Red, Yellow and Orange LED colors  
 2.8V @ 20mA for Blue, Green and White LED colors

Specifications subject to change without notice 11.1.2023



**E-SWITCH®**

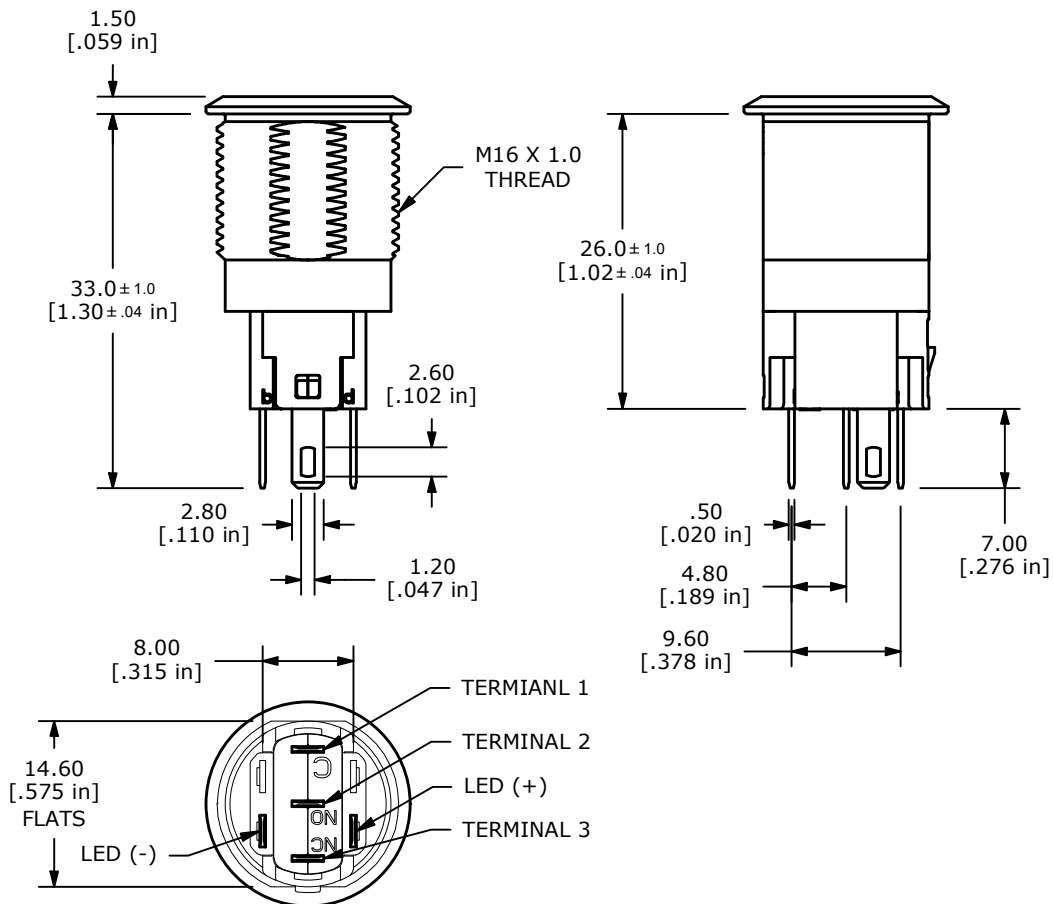
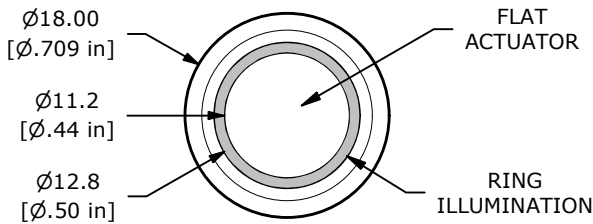
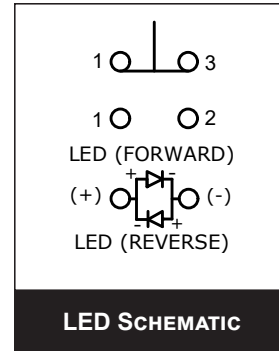
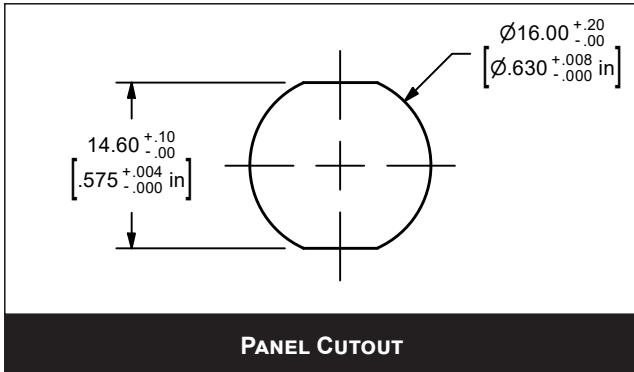
www.e-switch.com

800.867.2717

1

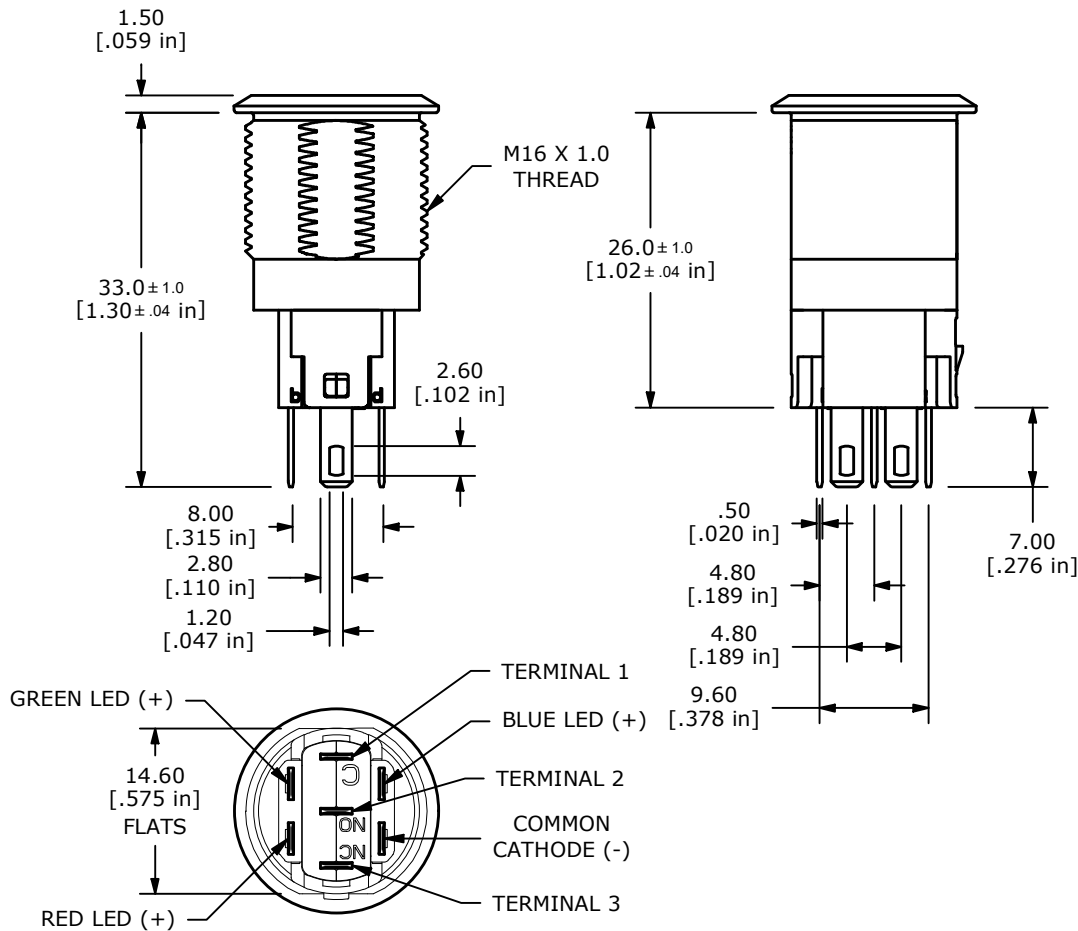
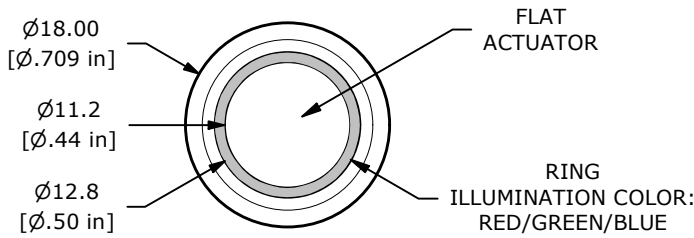
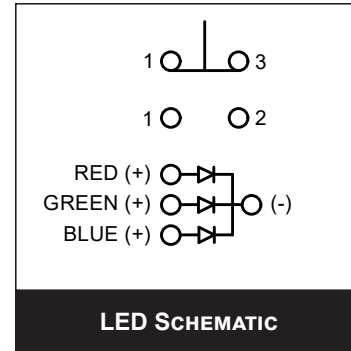
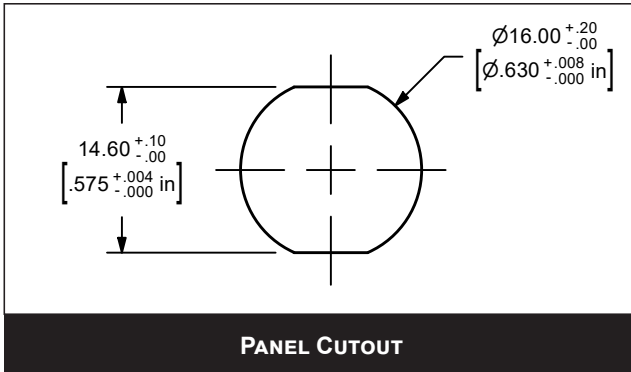
# PVB3 SERIES ANTI-VANDAL SWITCH

## FLAT ACTUATOR LED ILLUMINATED RING BODY DIMENSIONS



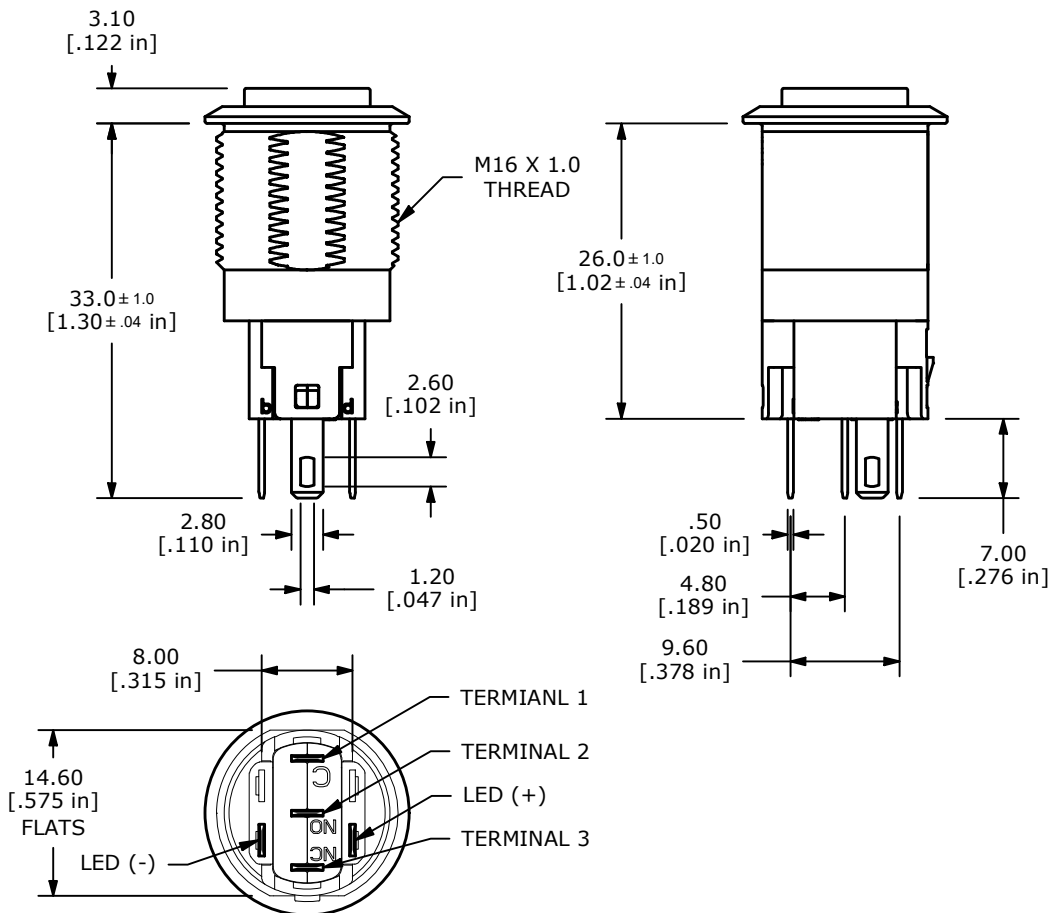
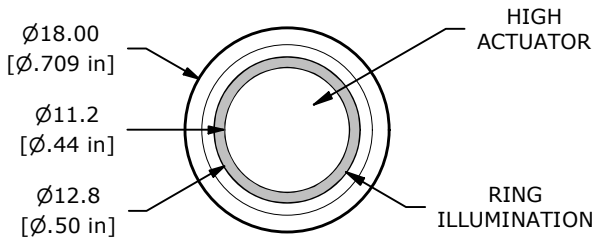
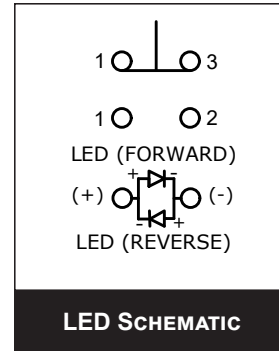
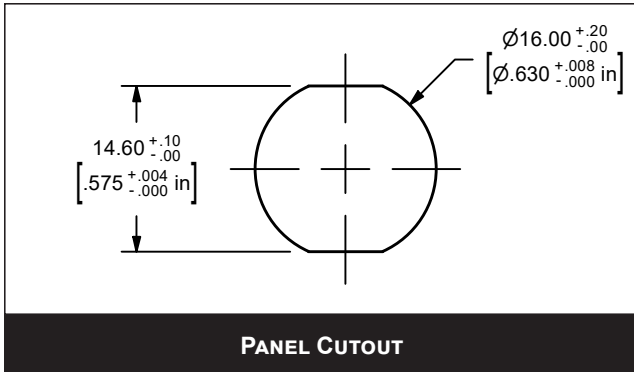
# PVB3 SERIES ANTI-VANDAL SWITCH

## FLAT ACTUATOR RGB ILLUMINATED RING BODY DIMENSIONS



# PVB3 SERIES ANTI-VANDAL SWITCH

## HIGH ACTUATOR LED ILLUMINATED RING BODY DIMENSIONS



ANTI-VANDAL SWITCHES  
DETECTOR SWITCHES  
DIP SWITCHES  
KEYLOCK SWITCHES  
NAVIGATION SWITCHES  
PUSHBUTTON SWITCHES  
ROCKER SWITCHES  
ROTARY SWITCHES  
SLIDE SWITCHES  
SNAP ACTION SWITCHES  
TACTILE SWITCHES  
TOGGLE SWITCHES  
CAP OPTIONS



# PVB3 SERIES ANTI-VANDAL SWITCH

## FLAT ACTUATOR LED ILLUM RING/POWER BODY DIMENSIONS

