

THIS DRAWING IS UNPUBLISHED.

RELEASED FOR PUBLICATION

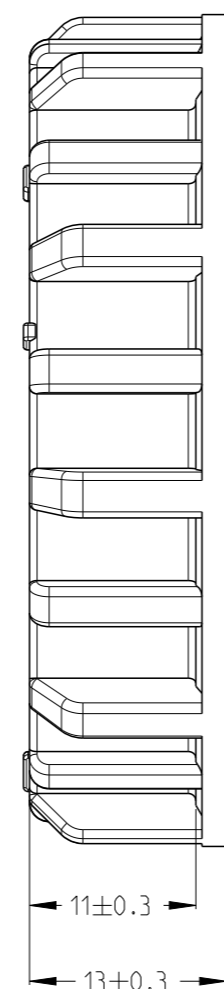
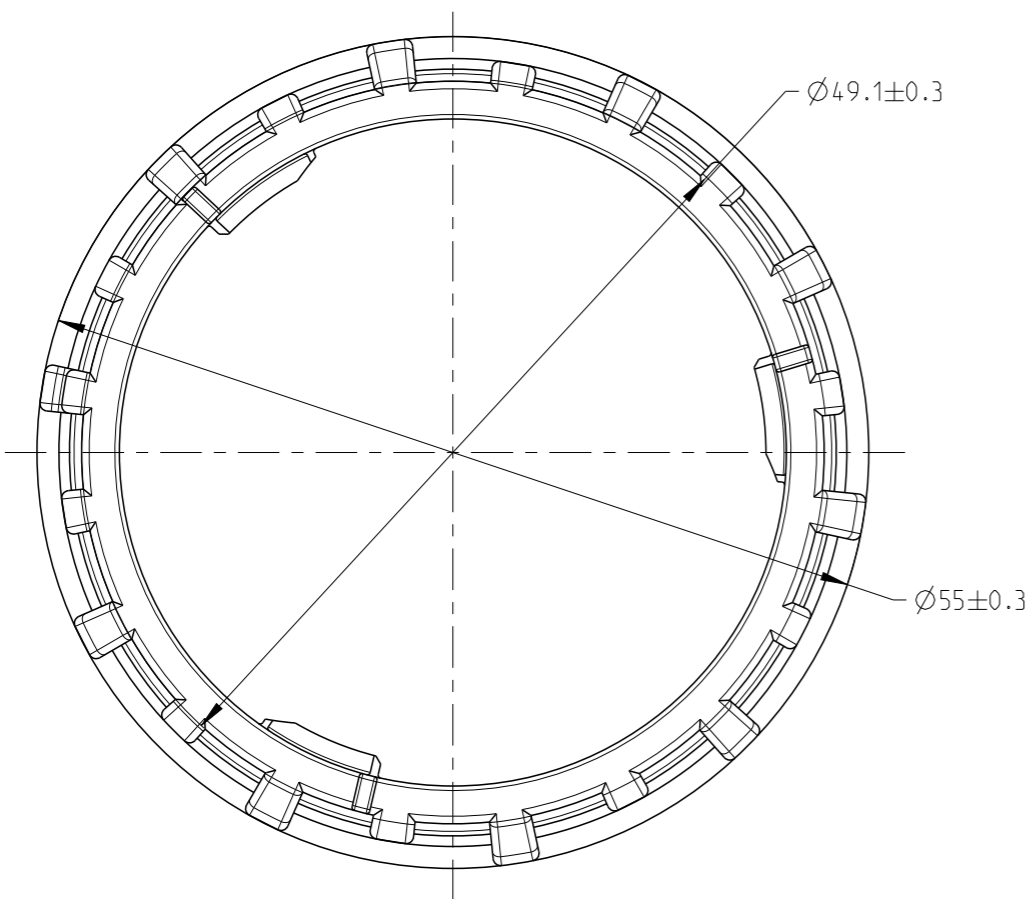
20

© COPYRIGHT 20 BY -

ALL RIGHTS RESERVED.


REVISIONS

P	LTR	DESCRIPTION	DATE	DWN	APVD
	A	INITIAL RELEASED	13MAR2019	C.W	I.Y
	A1	ECR-20-000774	16JAN2020	C.W	E.J
	A2	ECN-23-218583	25MAR2022	J.S	Z.Z



- A2
- MATERIAL: PBT GF20 ,COLOR YELLOW FOR DIFFERENT WALL THICKNESS APPLICATION;
 - PRODUCT IS USED WITH THROUGH WALL CONNECTOR: 1-2350891-1, 1-2350891-2, 1-2350891-3, 1-2350891-4, 2-2350891-1, 2-2350891-2, 2-2350891-3, 2-2350891-4, 1-2405028-1,1-2405028-2,1-2405028-3,1-2405028-4.

TE PN	REV	COLOR	WALL THICKNESS
2350943-4	A	BLUE	4.0±0.1
2350943-3	A	GREEN	3.5±0.1
2350943-2	A	GRAY	3.0±0.1
2350943-1	A	YELLOW	1.5±0.1

THIS DRAWING IS A CONTROLLED DOCUMENT.		DWN C.WAN 13MAR20189	 TE Connectivity	
DIMENSIONS: mm		CHK E.JIANG 28MAR20189		
TOLERANCES UNLESS OTHERWISE SPECIFIED:		APVD I.YIN 28MAR20189	NAME FIX RING NTS 20P/26P CONNECTOR	
0 PLC ± 1 PLC ± 2 PLC ± 3 PLC ± 4 PLC ± ANGLES ± FINISH -		PRODUCT SPEC -	APPLICATION SPEC 114-32209	
MATERIAL PBT GF20		WEIGHT -	SIZE A3	CAGE CODE -
		CUSTOMER DRAWING	DRAWING NO C=2350943	RESTRICTED TO -
		SCALE 2:1	SHEET 1 OF 1	REV A2