



RITS | RITS Junction Box Panel Mount or Free Hanging

TE Internal #: 1473574-4

Standard Rectangular Connectors, Connector Assembly, Receptacle, Mating Alignment, RITS Junction Box Panel Mount or Free Hanging

[View on TE.com >](#)

Connectors > Rectangular Connectors > Standard Rectangular Connectors



Connector Product Type: **Connector Assembly**

Connector & Housing Type: **Receptacle**

Mating Alignment: **With**

Mating Alignment Type: **Polarization**

Mating Retention: **With**

**Features**

**Product Type Features**

Connector Product Type	Connector Assembly
Connector & Housing Type	Receptacle
Connector System	Wire-to-Panel, Wire-to-Wire
Sealable	No

**Configuration Features**

Contacts Preloaded	Yes
Number of Positions	4
Number of Rows	2

**Electrical Characteristics**

Operating Voltage	32 VDC
-------------------	--------

**Contact Features**

Contact Type	Socket
Contact Underplating Material	Nickel
Contact Mating Area Plating Material	Gold



Contact Retention Within Housing	Without
----------------------------------	---------

Contact Current Rating (Max)	3 A
------------------------------	-----

### Termination Features

Termination Method to Wire & Cable	Crimp
------------------------------------	-------

### Mechanical Attachment

PCB Mount Alignment	Without
---------------------	---------

PCB Mount Retention	Without
---------------------	---------

Panel Mount Feature Type	Locking Latch
--------------------------	---------------

Mating Alignment	With
------------------	------

Mating Alignment Type	Polarization
-----------------------	--------------

Mating Retention	With
------------------	------

Mating Retention Type	Latch
-----------------------	-------

Connector Mounting Type	Panel Mount
-------------------------	-------------

### Housing Features

Housing Material	Thermoplastic GF
------------------	------------------

Housing Color	Black
---------------	-------

	.079 in
--	---------

### Dimensions

Connector Height	30 mm[1.181 in]
------------------	-----------------

Product Width	22.5 mm[.885 in]
---------------	------------------

Product Length	15.8 mm[.622 in]
----------------	------------------

Row-to-Row Spacing	6.5 mm[.256 in]
--------------------	-----------------

### Usage Conditions

Operating Temperature Range	-30 - 75 °C[-22 - 167 °F]
-----------------------------	---------------------------

### Operation/Application

Halogen Free	Yes
--------------	-----

Shielded	No
----------	----

Circuit Application	Signal
---------------------	--------

### Identification Marking

Circuit Identification Feature	Without
--------------------------------	---------

### Industry Standards



UL Flammability Rating	UL 94V-0
------------------------	----------

**Packaging Features**

Packaging Quantity	50
Packaging Method	Bag

**Product Compliance**

[For compliance documentation, visit the product page on TE.com>](#)

EU RoHS Directive 2011/65/EU	Compliant
EU ELV Directive 2000/53/EC	Compliant
China RoHS 2 Directive MIIT Order No 32, 2016	No Restricted Materials Above Threshold
EU REACH Regulation (EC) No. 1907/2006	Current ECHA Candidate List: JAN 2024 (240) Candidate List Declared Against: JAN 2024 (240) Does not contain REACH SVHC
Halogen Content	Not Low Halogen - contains Br or Cl > 900 ppm.
Solder Process Capability	Not applicable for solder process capability

Product Compliance Disclaimer

This information is provided based on reasonable inquiry of our suppliers and represents our current actual knowledge based on the information they provided. This information is subject to change. The part numbers that TE has identified as EU RoHS compliant have a maximum concentration of 0.1% by weight in homogenous materials for lead, hexavalent chromium, mercury, PBB, PBDE, DBP, BBP, DEHP, DIBP, and 0.01% for cadmium, or qualify for an exemption to these limits as defined in the Annexes of Directive 2011/65/EU (RoHS2). Finished electrical and electronic equipment products will be CE marked as required by Directive 2011/65/EU. Components may not be CE marked. Additionally, the part numbers that TE has identified as EU ELV compliant have a maximum concentration of 0.1% by weight in homogenous materials for lead, hexavalent chromium, and mercury, and 0.01% for cadmium, or qualify for an exemption to these limits as defined in the Annexes of Directive 2000/53/EC (ELV). Regarding the REACH Regulation, the information TE provides on SVHC in articles for this part number is based on the latest European Chemicals Agency (ECHA) 'Guidance on requirements for substances in articles' posted at this URL: <https://echa.europa.eu/guidance-documents/guidance-on-reach>

**Compatible Parts**



## Also in the Series | [RITS Junction Box Panel Mount or Free Hanging](#)

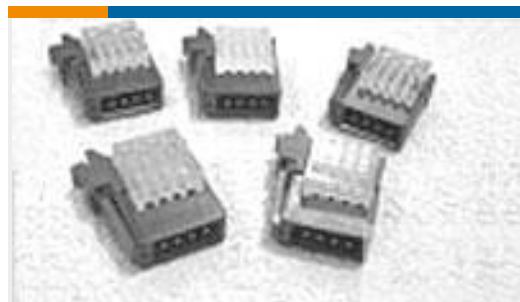


Standard Rectangular Connectors(12)

## Customers Also Bought



TE Part # 1903116-2  
DYNAMIC D1000 TAB CONT AU 0.38  
um M L/P



TE Part # 1-1473562-4  
RITS CONN. PLUG ASSY 4P RED



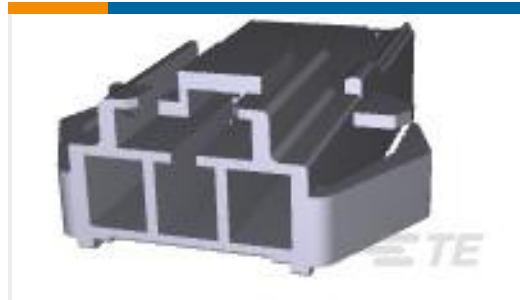
TE Part # 5-1473571-3  
RITS.JUNCTION BOX 2D 3P F/H



TE Part # 1-207825-1  
CPC RCPT ASSEMBLY SIZE 11-4



TE Part # 2013285-2  
DYNAMIC D-5 DYNATAP 20P ASSY P  
/M BOTTOM



TE Part # 176293-1  
UNIV POWER CAP HSG 3P P/MOUNT



TE Part # 1-2260862-1  
F07 APF CABLE ASSY 0.3M

## Documents

### Product Drawings

[RITS.JUNCTION BOX 4D 4P P/M](#)

English

### CAD Files

[3D PDF](#)

3D

Customer View Model

[ENG\\_CVM\\_CVM\\_1473574-4\\_P.2d\\_dxf.zip](#)

English

Customer View Model

[ENG\\_CVM\\_CVM\\_1473574-4\\_P.3d\\_igs.zip](#)

English

Customer View Model

[ENG\\_CVM\\_CVM\\_1473574-4\\_P.3d\\_stp.zip](#)



English

By downloading the CAD file I accept and agree to the [Terms and Conditions](#) of use.

---

### Datasheets & Catalog Pages

[Remote Input Output Terminal System \(RITS\) Connectors](#)

English

---

### Product Specifications

[Product Specification](#)

Japanese

---

### Instruction Sheets

[Instruction Sheet \(non U.S.\)](#)

Japanese

[RITS Connector Interconnection System/e-CON Connector](#)

Japanese