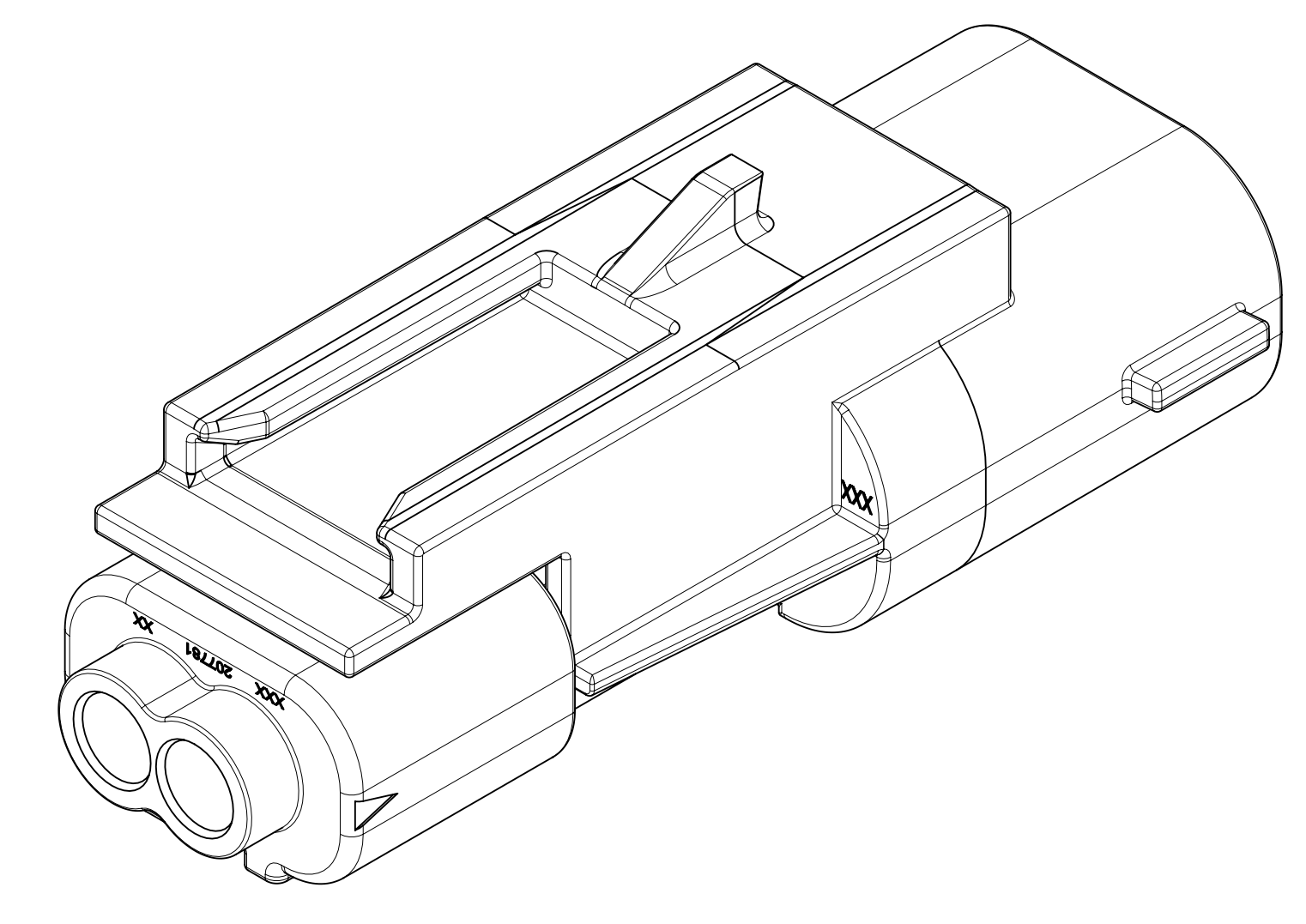
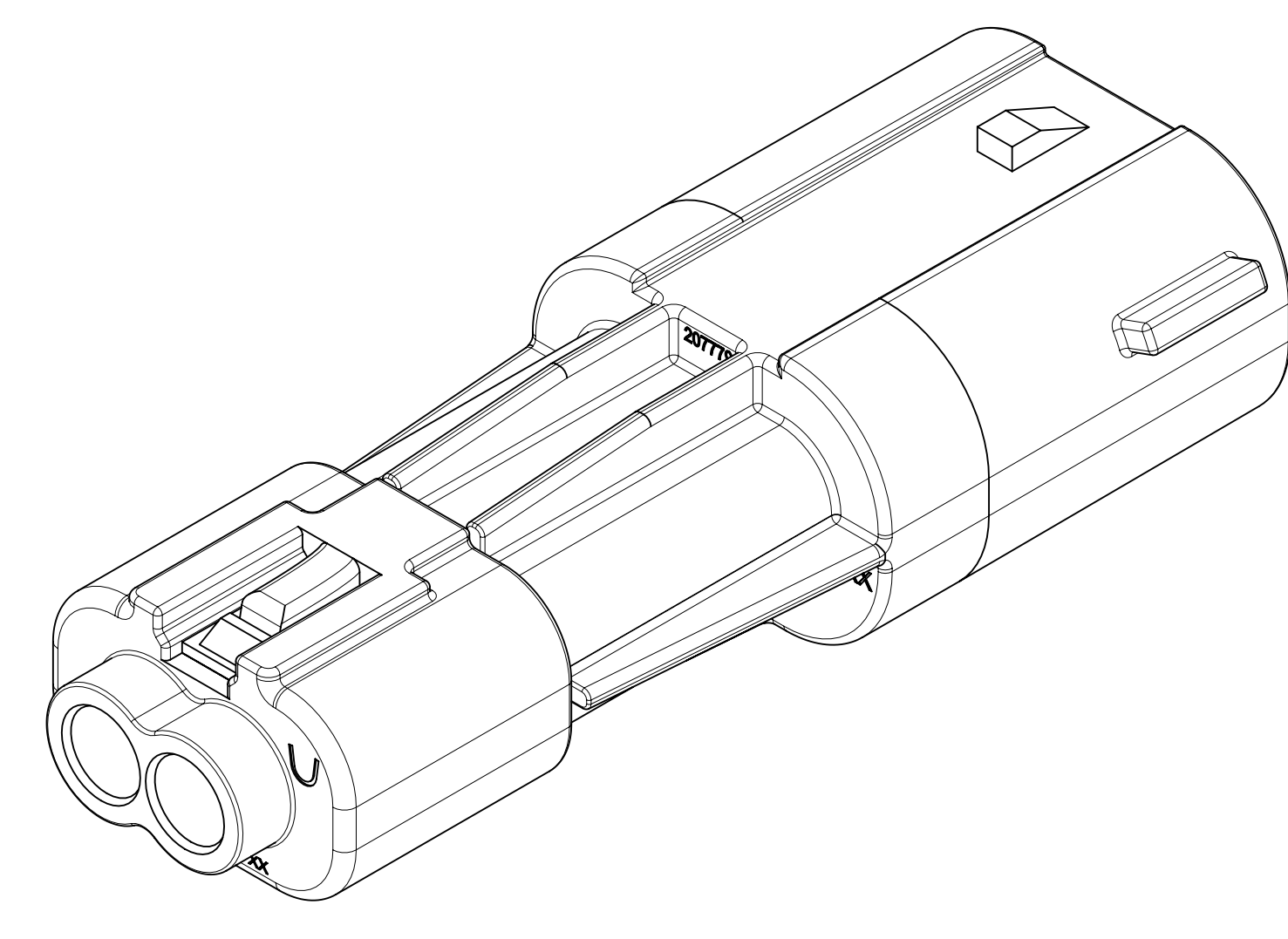
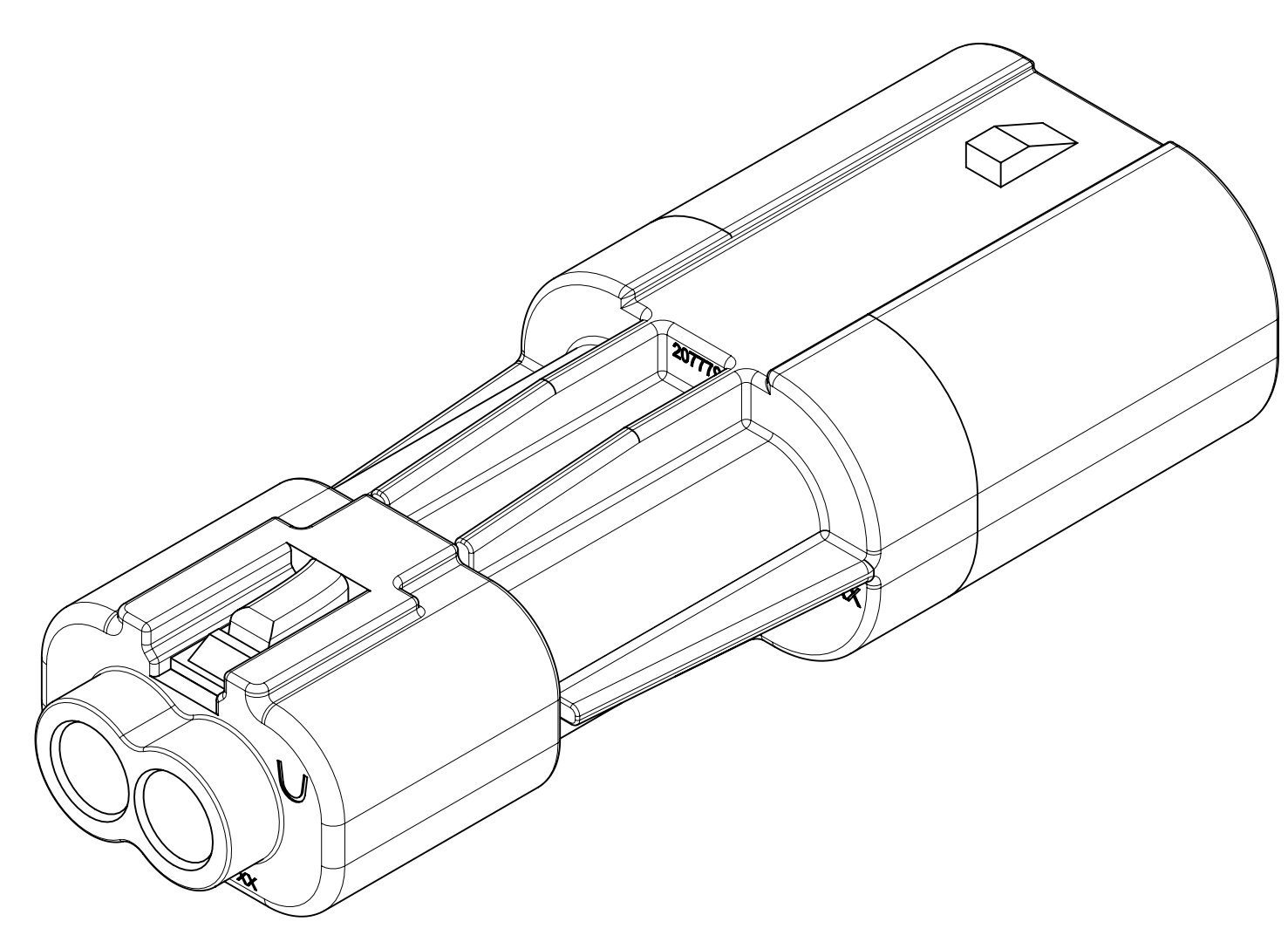


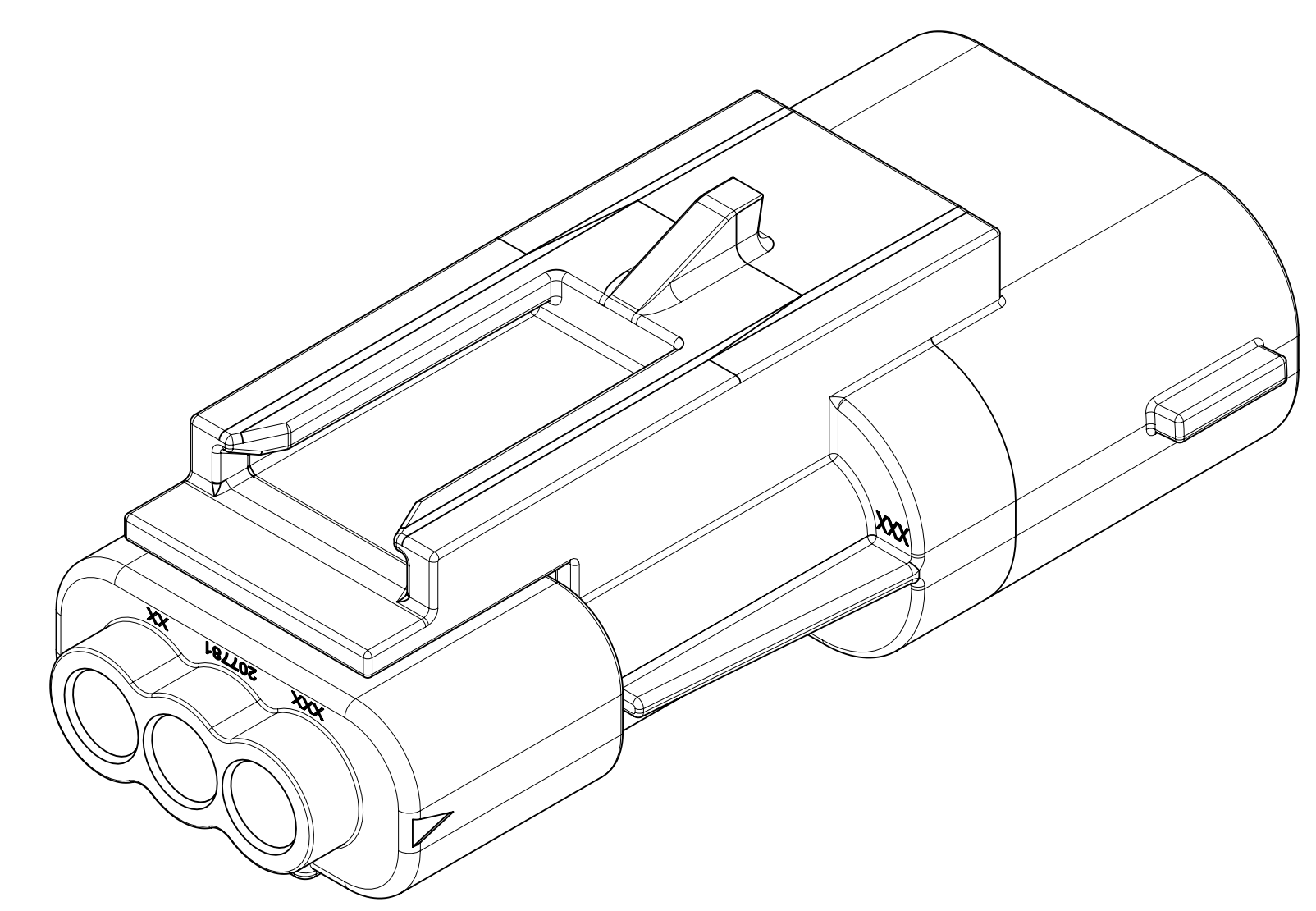
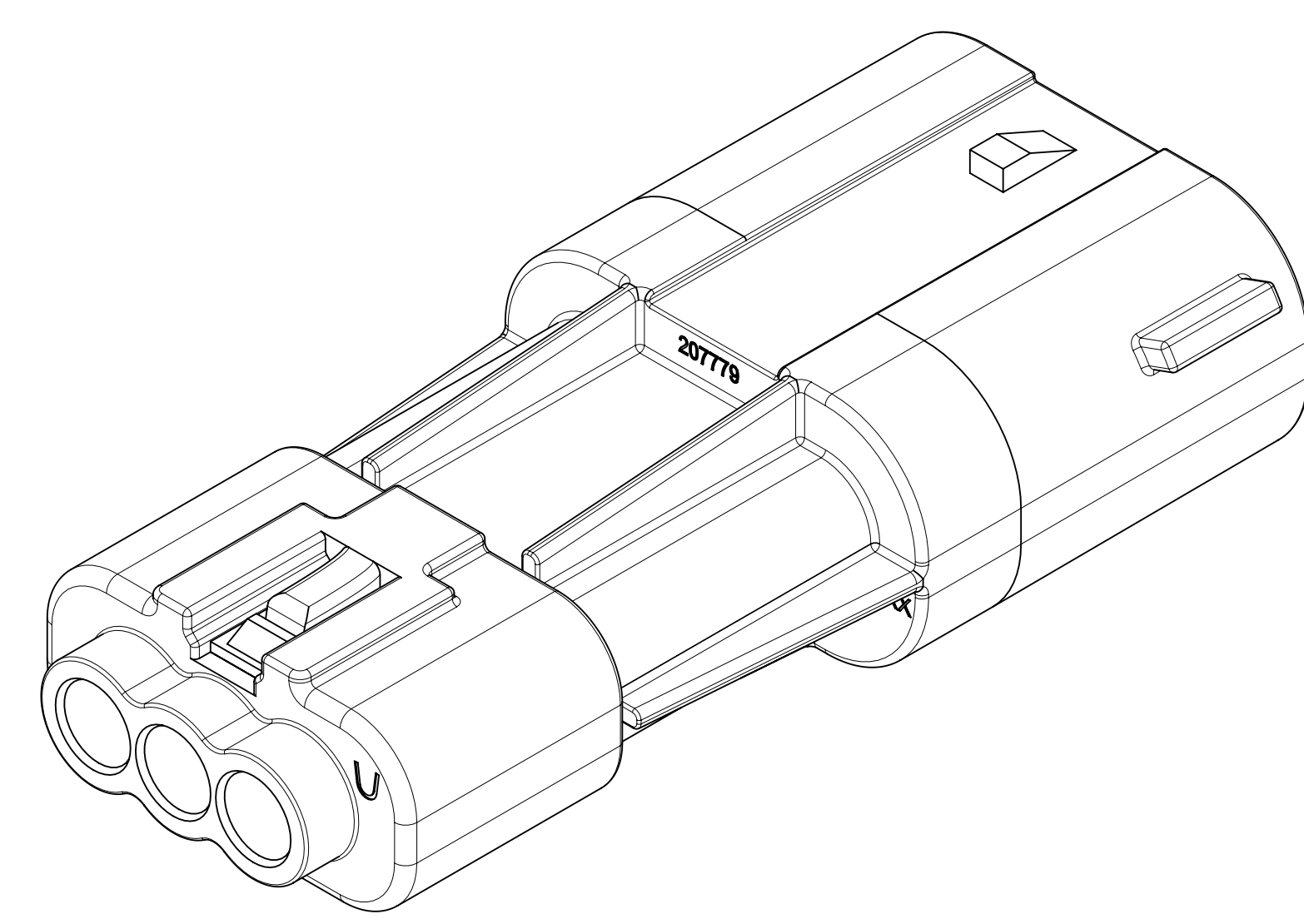
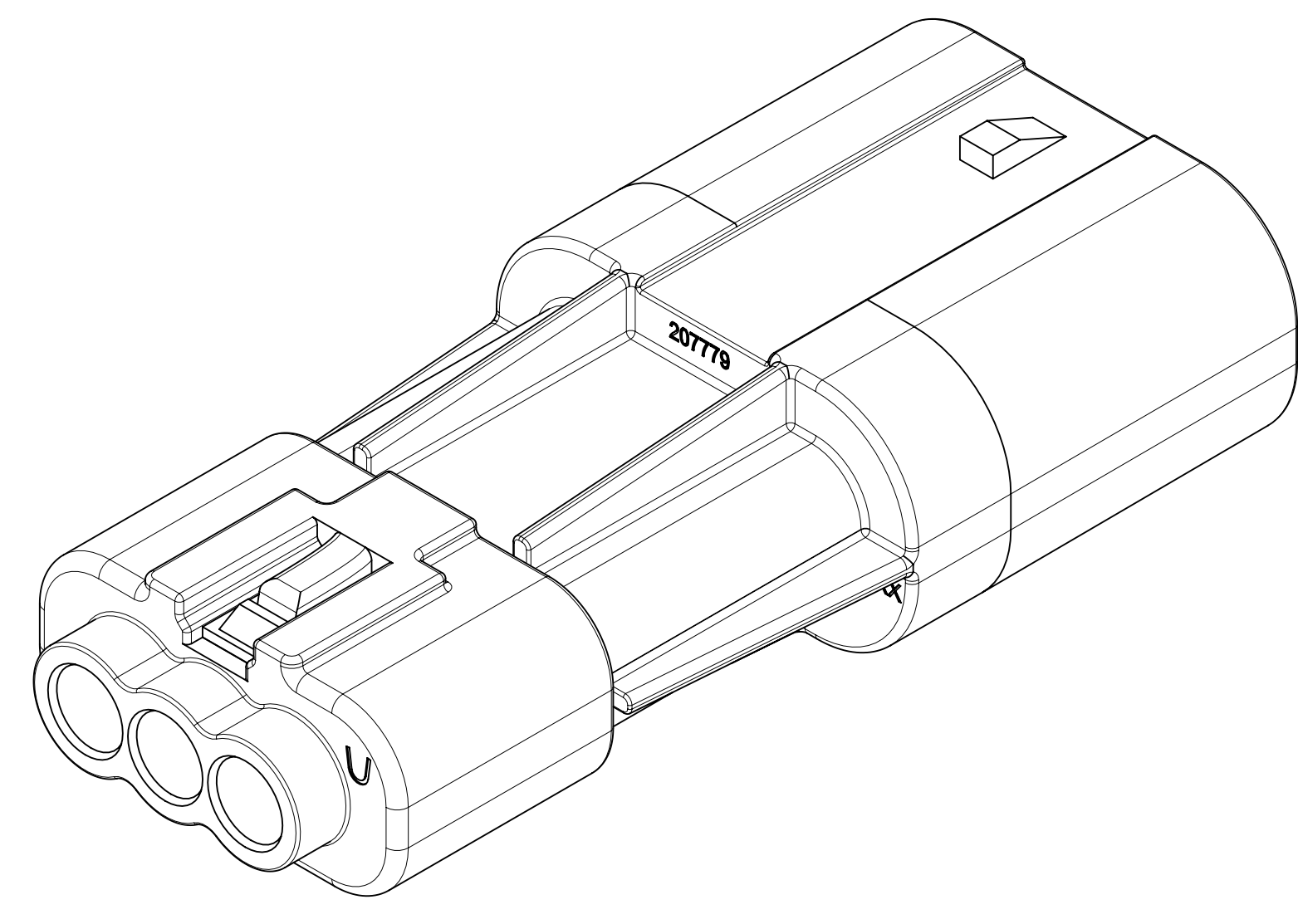
CIRCUIT CONFIGURATIONS

CIRCUITE SIZE PLUG HOUSING ASSEMBLY PLUG HOUSING ASSEMBLY WITH KEY $\text{\textcircled{D}}$ PLUG HOUSING ASSEMBLY WITH KEY AND CLIP SLOT $\text{\textcircled{D}}$

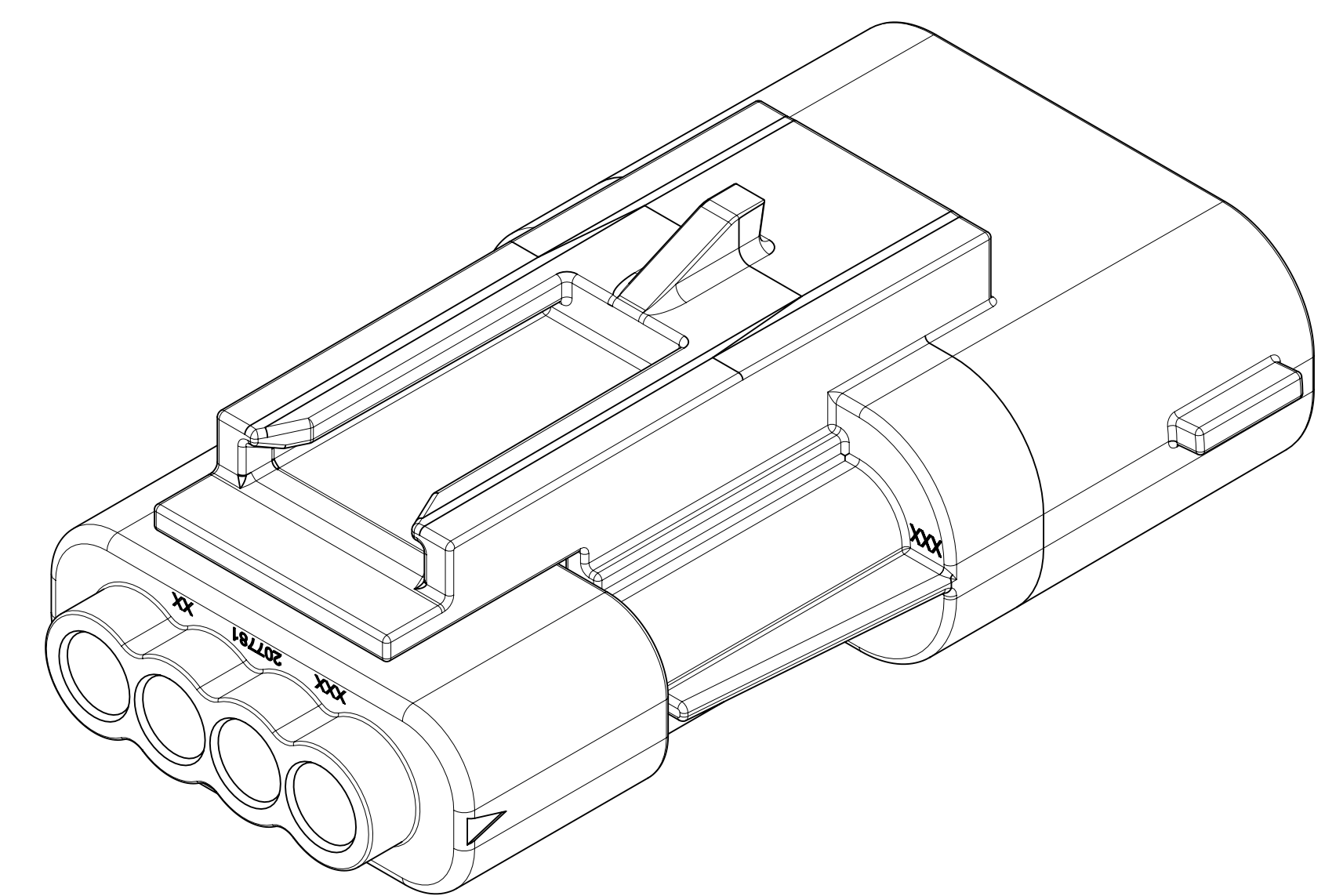
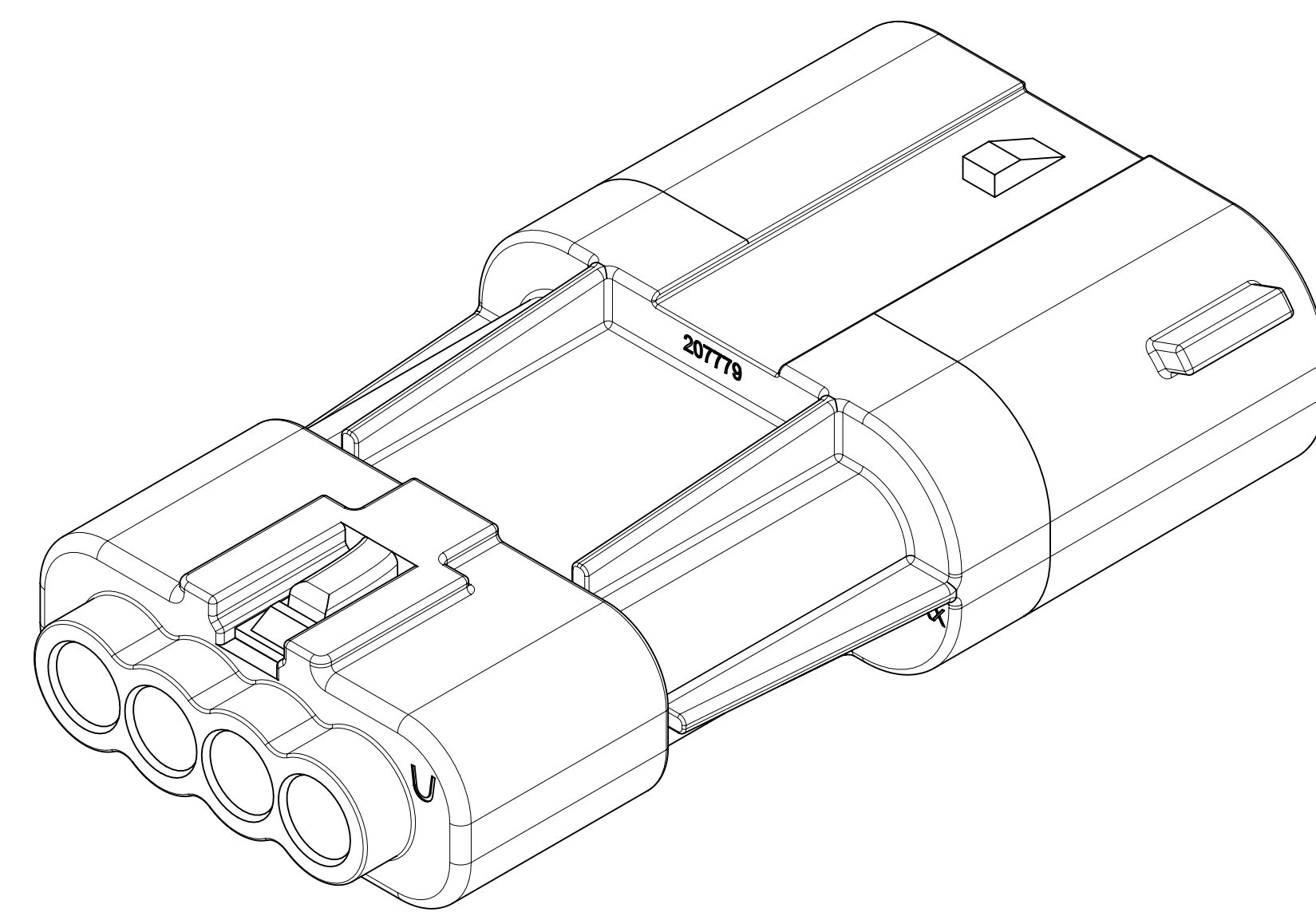
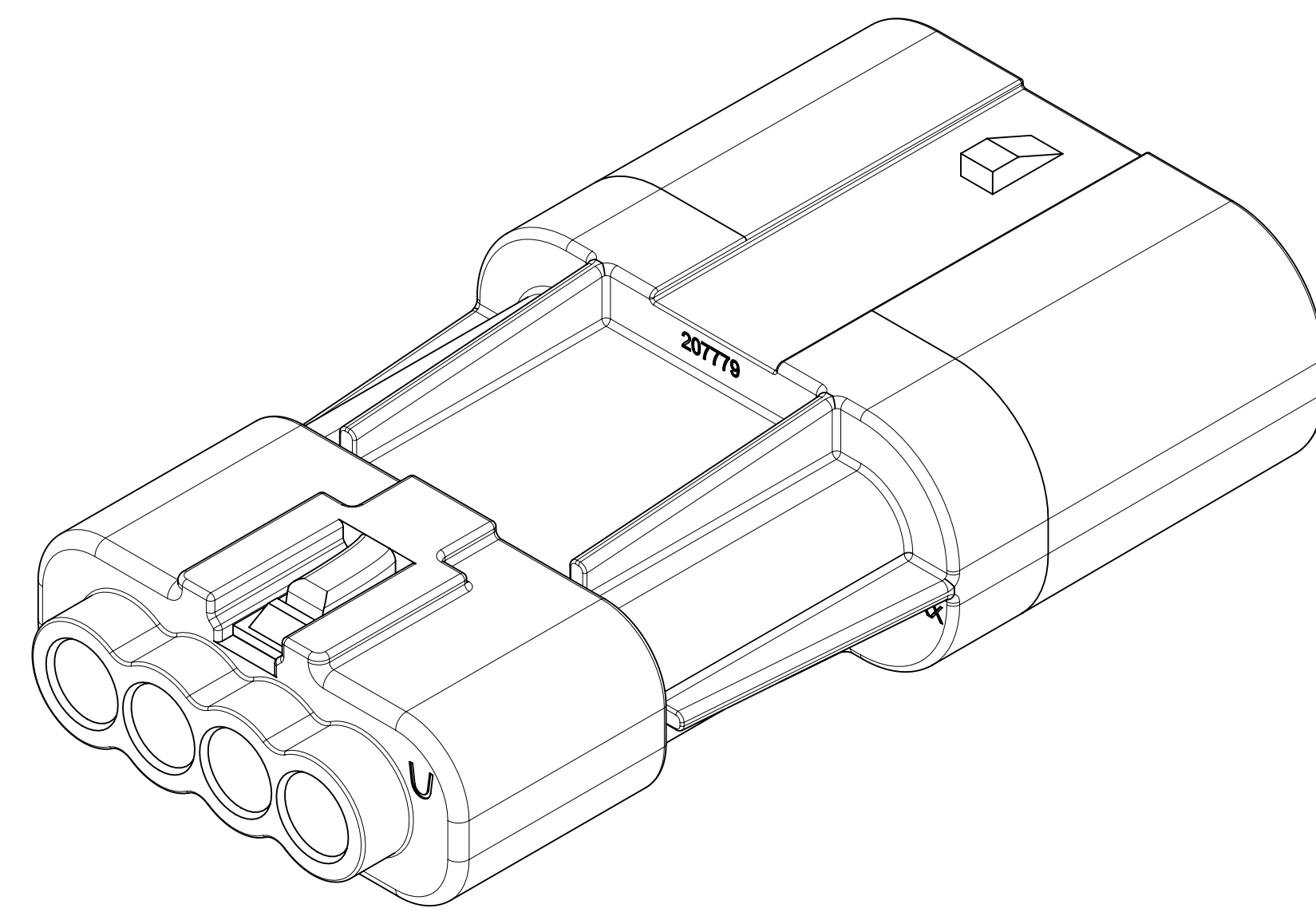
2 CKT



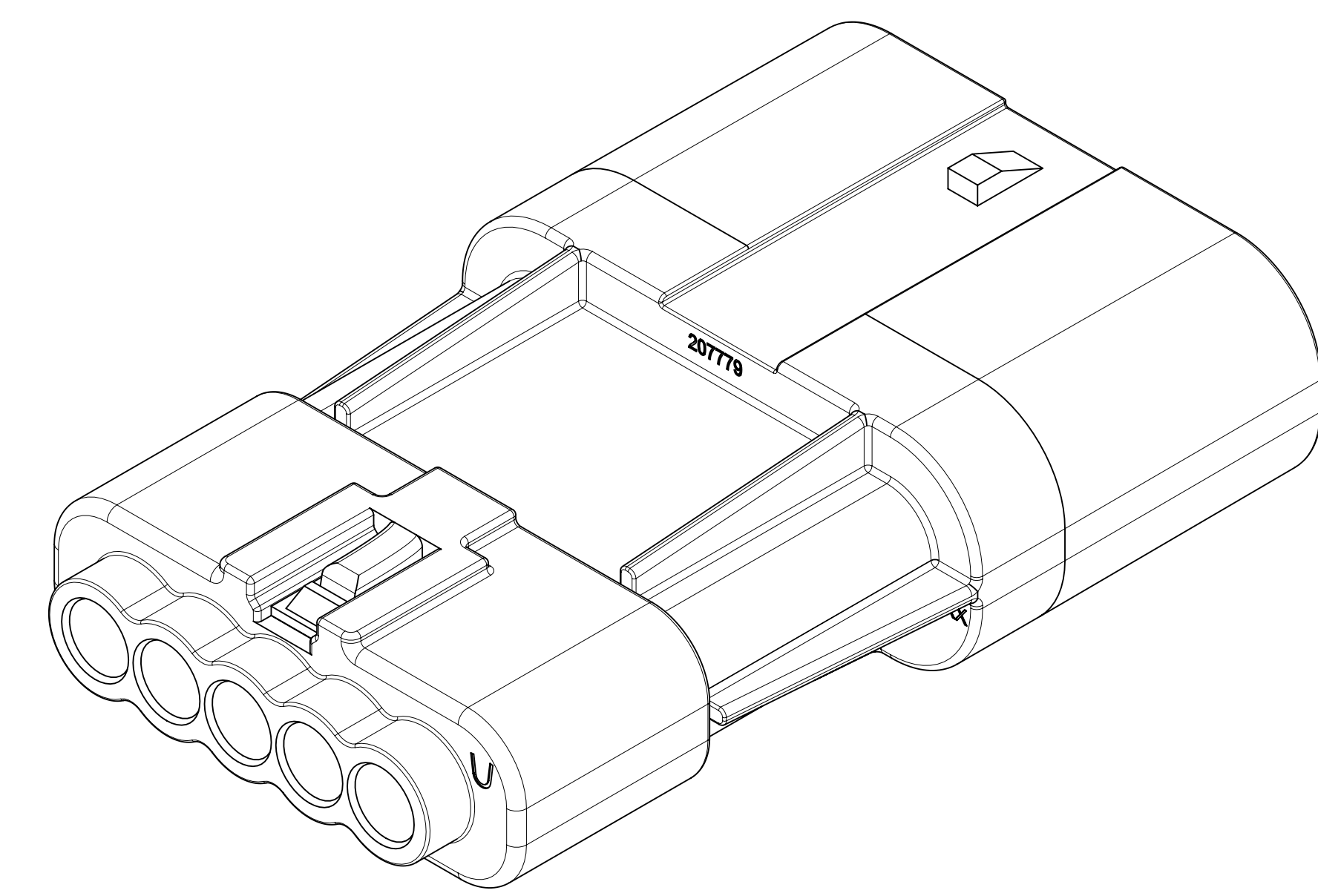
3 CKT



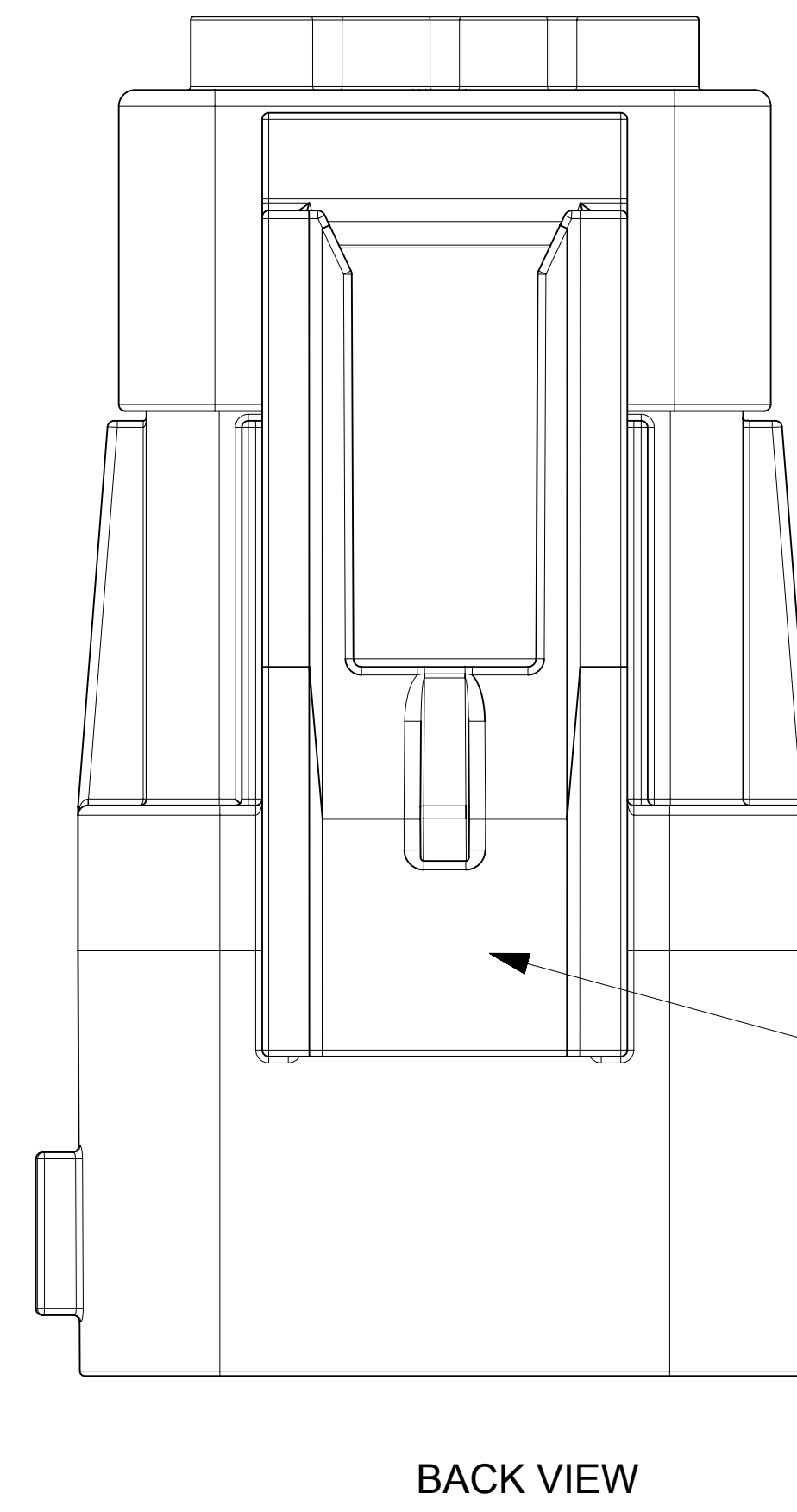
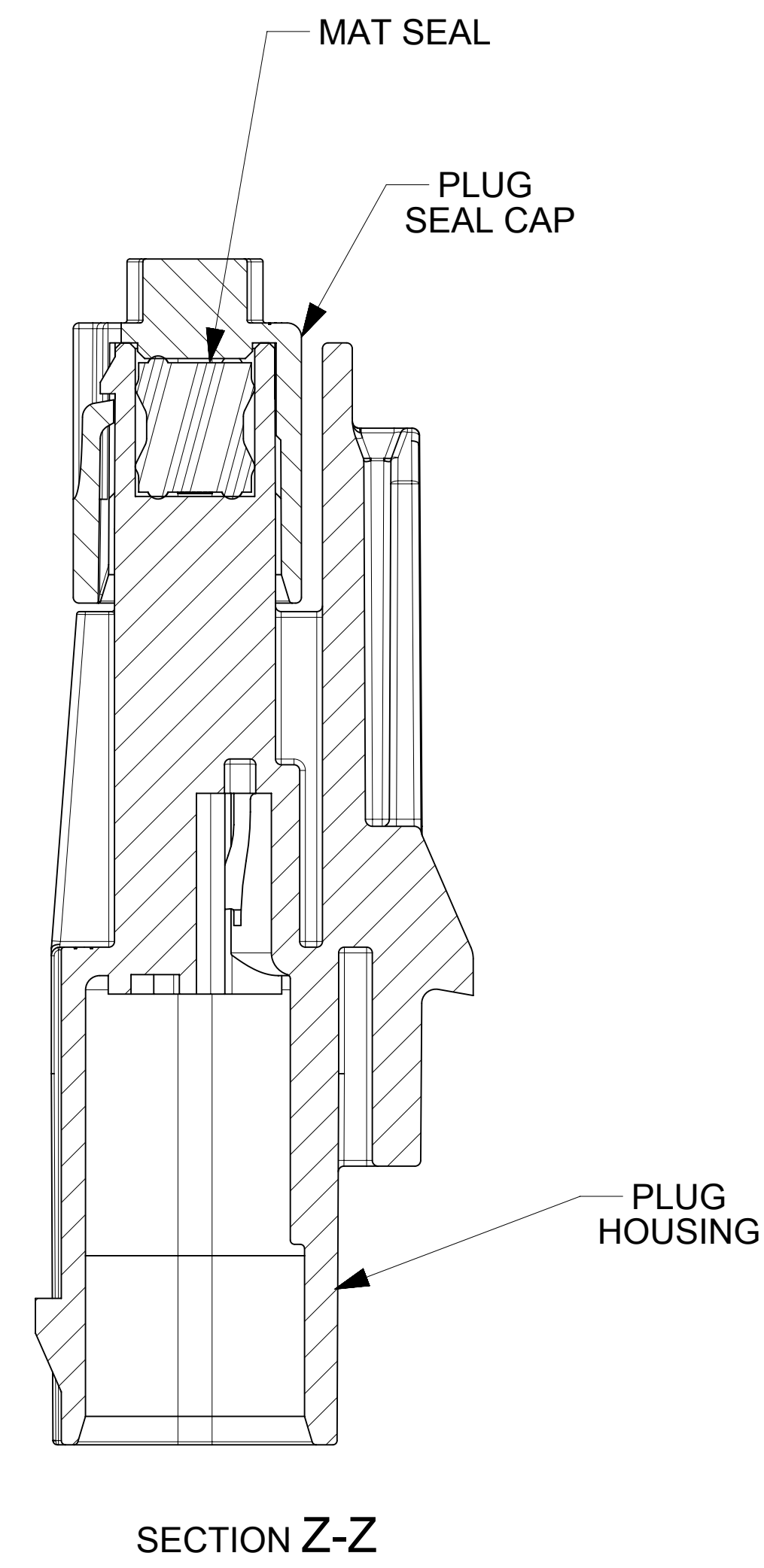
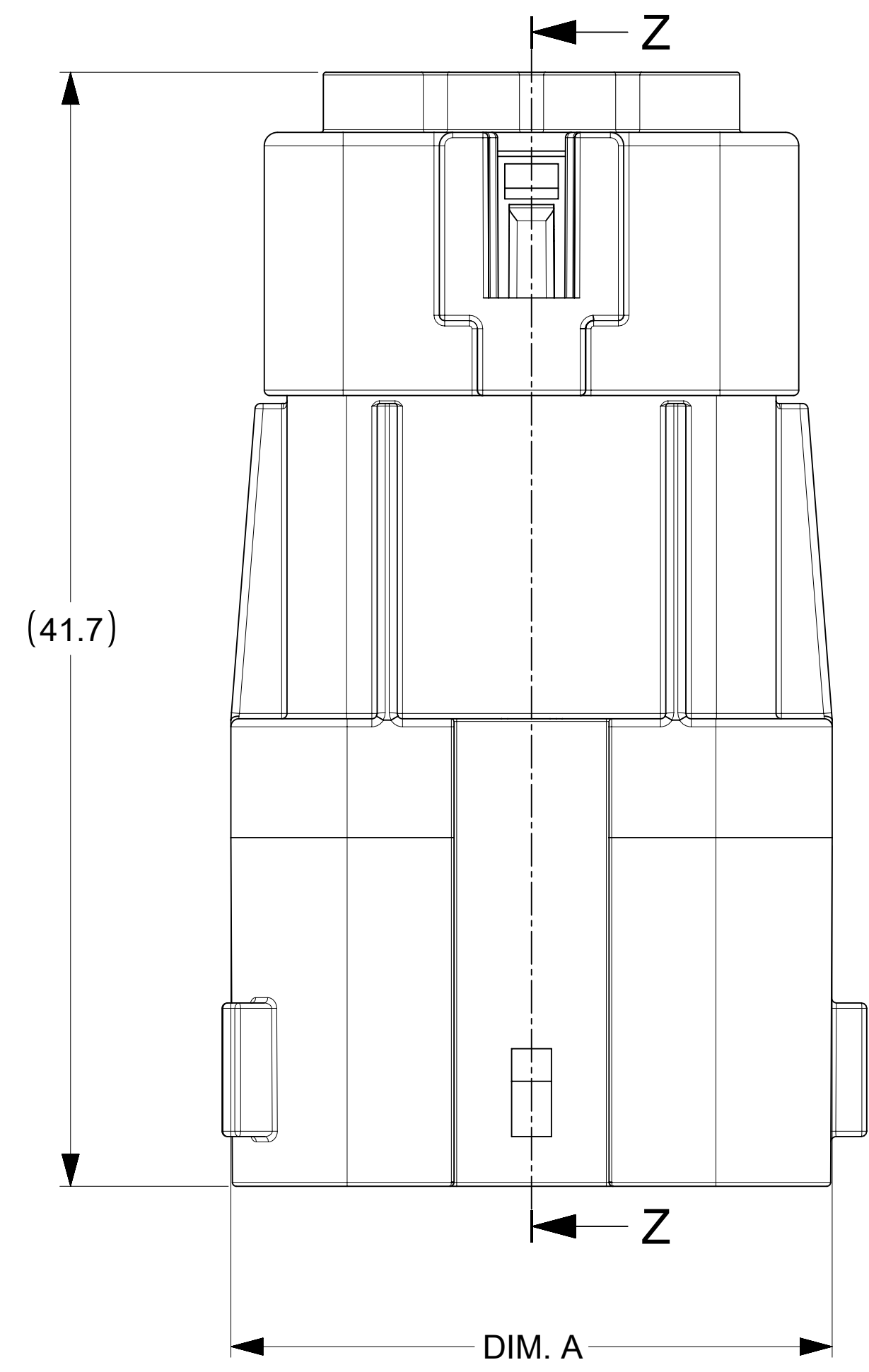
4 CKT



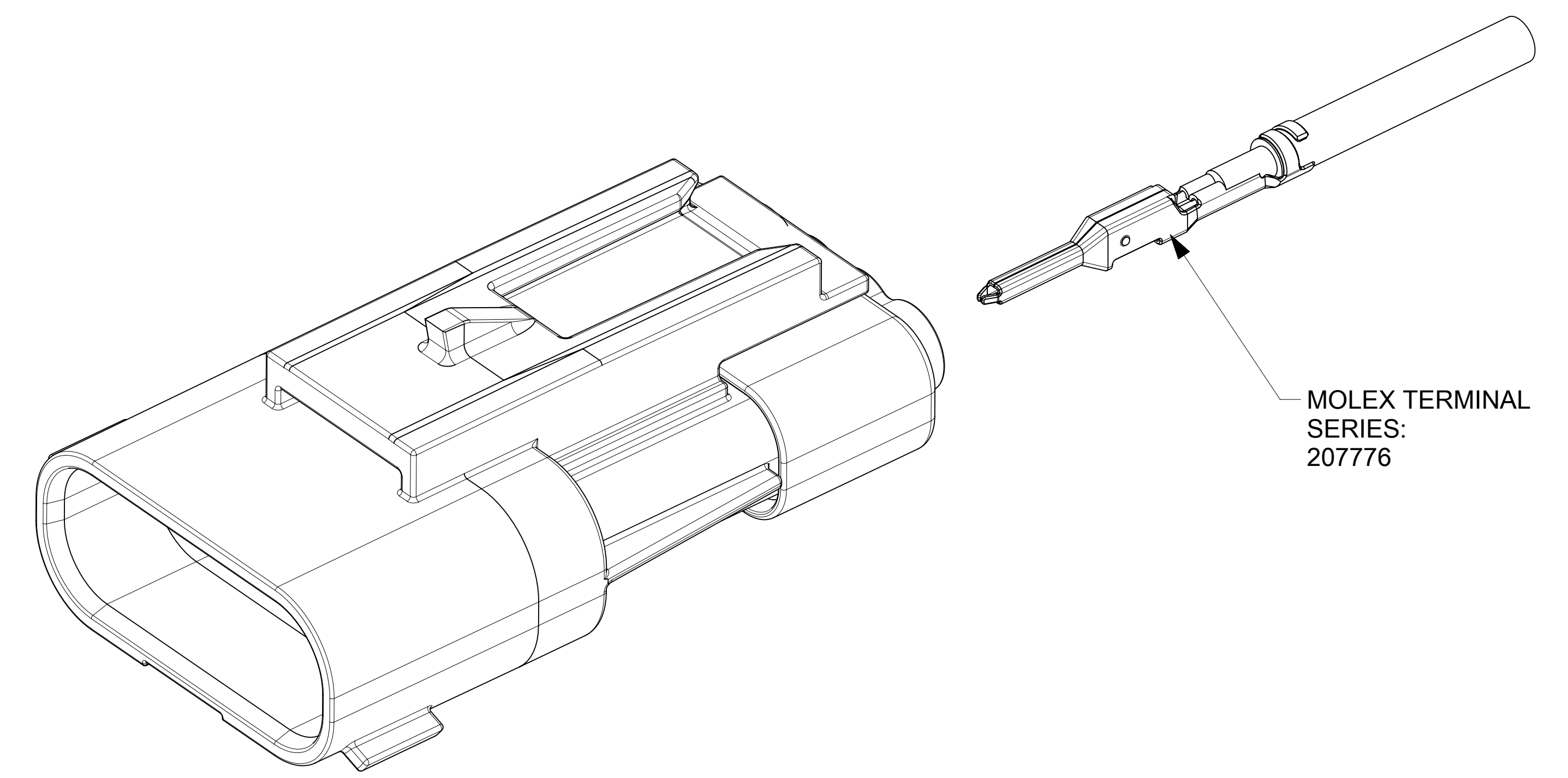
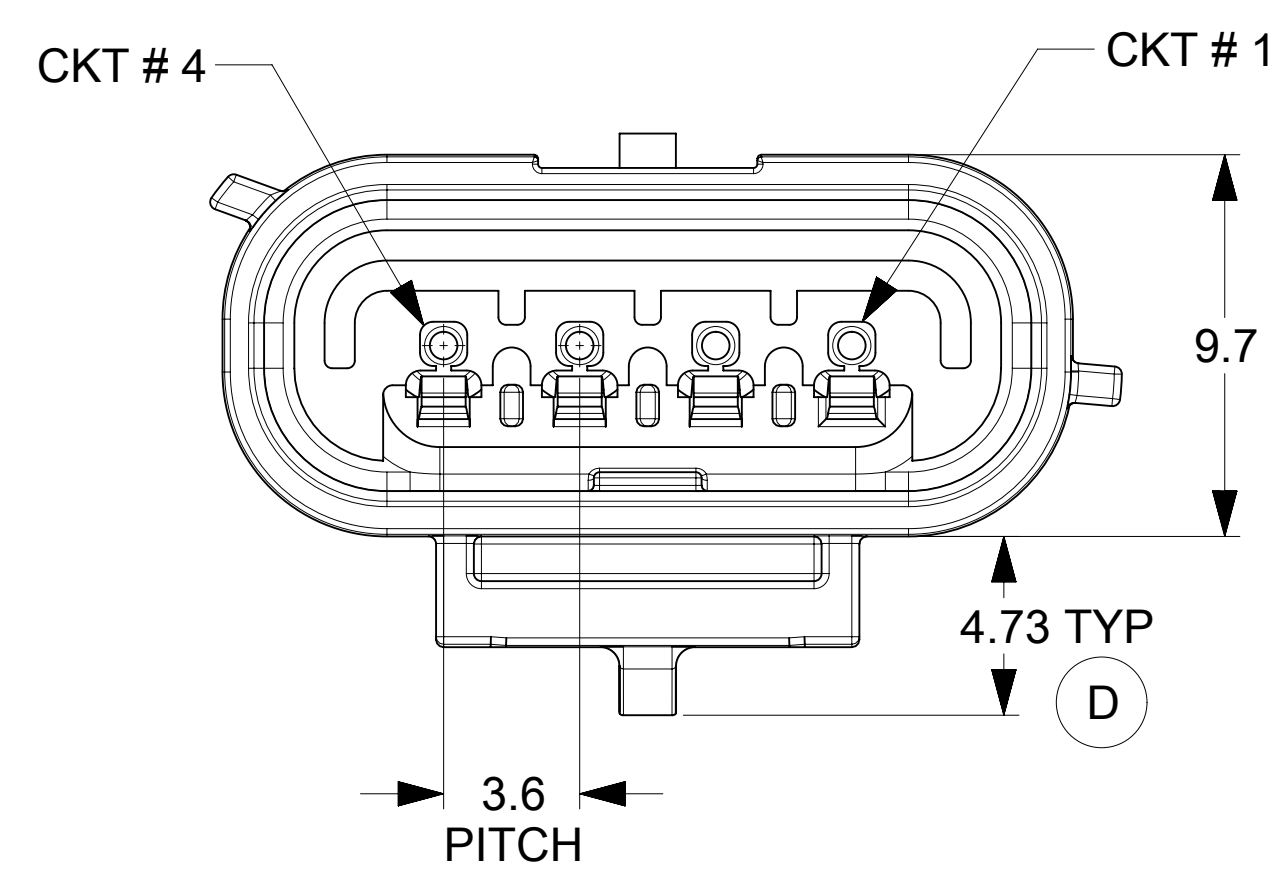
5 CKT



FUNCTIONAL SYMBOLS	THIS DRAWING CONTAINS INFORMATION THAT IS PROPRIETARY TO MOLEX ELECTRONIC TECHNOLOGIES, LLC AND SHOULD NOT BE USED WITHOUT WRITTEN PERMISSION		
	DIMENSION UNITS	SCALE	CURRENT REV DESC: RE-RELEASED FOR CONVERSION ISSUE.
$\nabla = 0$	mm	5:1	EC NO: 760095 DRWN: GOOLAM CHK'D: GOOLAM APPR: MRAMAKRISHNA
$\nabla = 0$	GENERAL TOLERANCES (UNLESS SPECIFIED)		
$\nabla = 0$	ANGULAR TOL \pm °		2023/08/02
DIVISIONAL SYMBOLS	4 PLACES	\pm	2023/08/18
	3 PLACES	\pm	2023/08/18
	2 PLACES	\pm	2023/08/18
	1 PLACE	\pm 0.3	INITIAL REVISION:
	0 PLACES	\pm	DRWN: MUM APPR: NCSR
DRAFT WHERE APPLICABLE MUST REMAIN WITHIN DIMENSIONS		THIRD ANGLE PROJECTION	DRAWING SERIES
		$\text{\textcircled{D}}$	E-SIZE 207778
DOCUMENT STATUS		RELEASE DATE	DOCUMENT NUMBER
P1	2023/08/18 10:37:23	2023/08/18	2077780000-SD
		DOC TYPE	DOC PART
		PSD	000
		REVISION	D3
		CUSTOMER	SHEET NUMBER
		GENERAL MARKET	1 OF 4



CKT SIZE	DIM. A
2	15.3
3	18.9
4	22.5



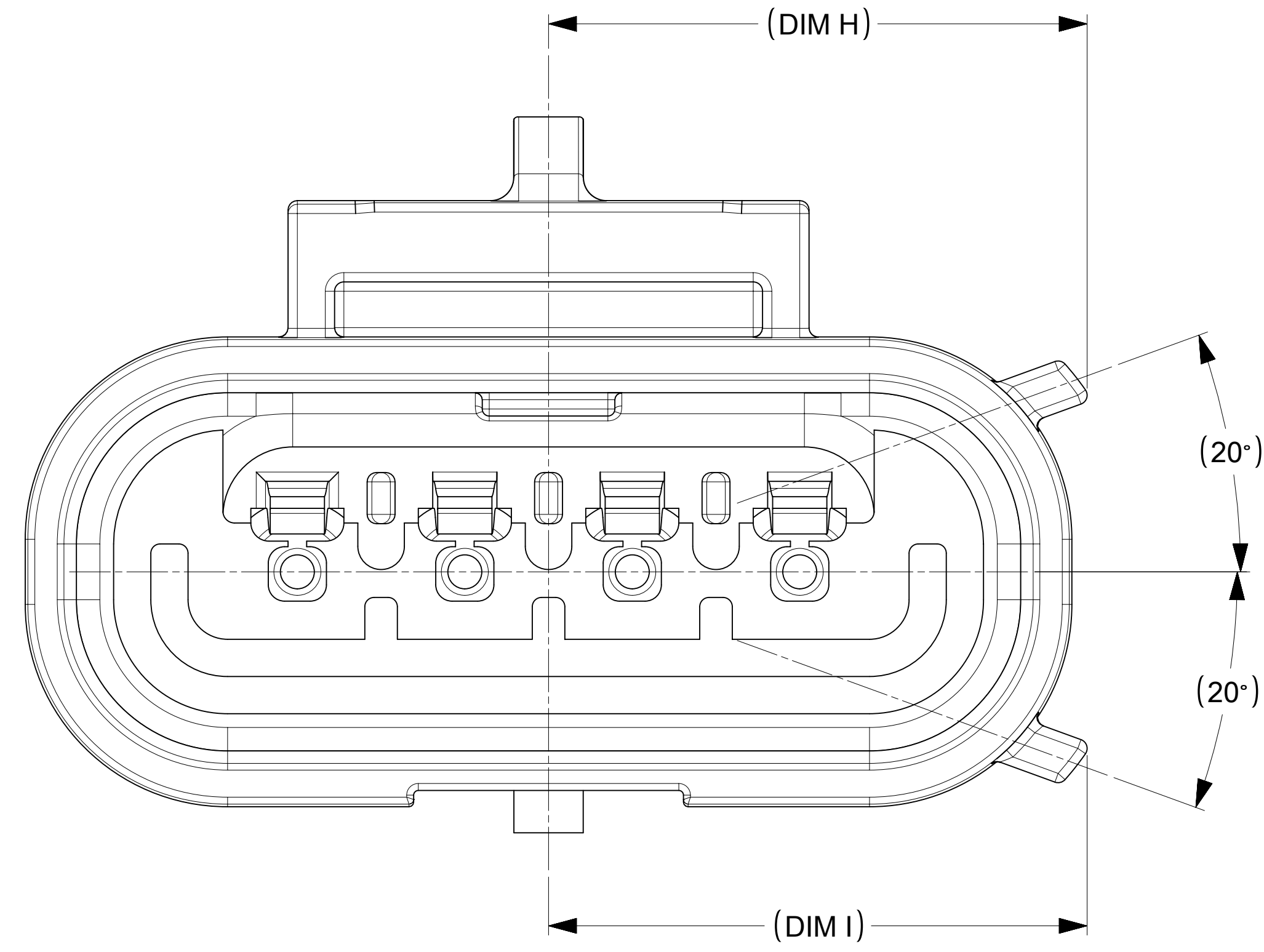
NOTES:

1. MATERIAL:
HOUSING & PLUG SEAL CAP: NYLON, COLOR: REFER PART NUMBER DETAILS.
SEALS: INHERENTLY LUBRICATED SILICON
2. PRODUCT SPECIFICATION: 2077760000-PS
3. APPLICATION SPECIFICATION: 2077760000-AS
4. PACKAGING SPECIFICATION: 2077780000-PK
5. THIS PART MATES WITH RECEPTACLE SERIES 207782
6. THIS PART USES TERMINAL SERIES 2077760001
2077760002 AND 2077760003
7. THIS PART CONFORMS TO CLASS 'B' REQUIREMENTS
OF COSMETIC SPECIFICATION PS-45499-002.
8. THE OPTIONAL CLIP SLOT CONFORMS WITH EWCAP-005 7MM CLIPSLOT

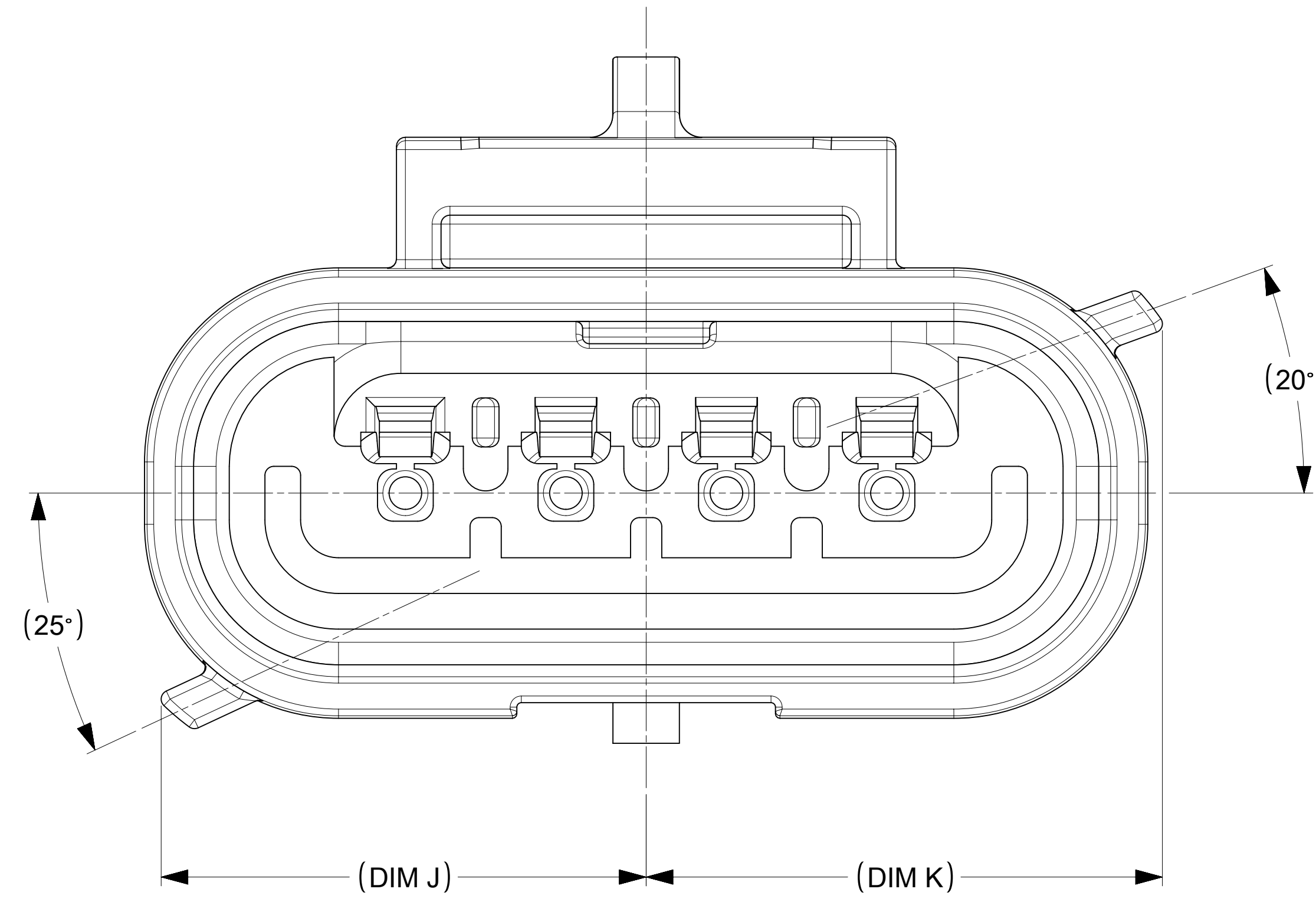
FUNCTIONAL SYMBOLS		THIS DRAWING CONTAINS INFORMATION THAT IS PROPRIETARY TO MOLEX ELECTRONIC TECHNOLOGIES, LLC AND SHOULD NOT BE USED WITHOUT WRITTEN PERMISSION					
DIMENSION UNITS		SCALE					
mm		5:1		GENERAL TOLERANCES (UNLESS SPECIFIED)			
ANGULAR TOL		± °		EC NO: 760095			
4 PLACES		±		DRWN: GOOLAM 2023/08/02			
3 PLACES		±		CHK'D: GOOLAM 2023/08/18			
2 PLACES		±		APPR: MRAMAKRISHNA 2023/08/18			
1 PLACE		± 0.3		INITIAL REVISION:			
0 PLACES		±		DRWN: MUM 2019/01/30			
DRAFT WHERE APPLICABLE MUST REMAIN WITHIN DIMENSIONS		THIRD ANGLE PROJECTION		DRAWING SERIES		MATERIAL NUMBER	
				E-SIZE 207778		SEE TABLE	
DOCUMENT NUMBER				DOC TYPE	DOC PART	REVISION	
2077780000-SD				PSD	000	D3	
CUSTOMER				SHEET NUMBER			
GENERAL MARKET				2 OF 4			

KEYING CONFIGURATIONS D

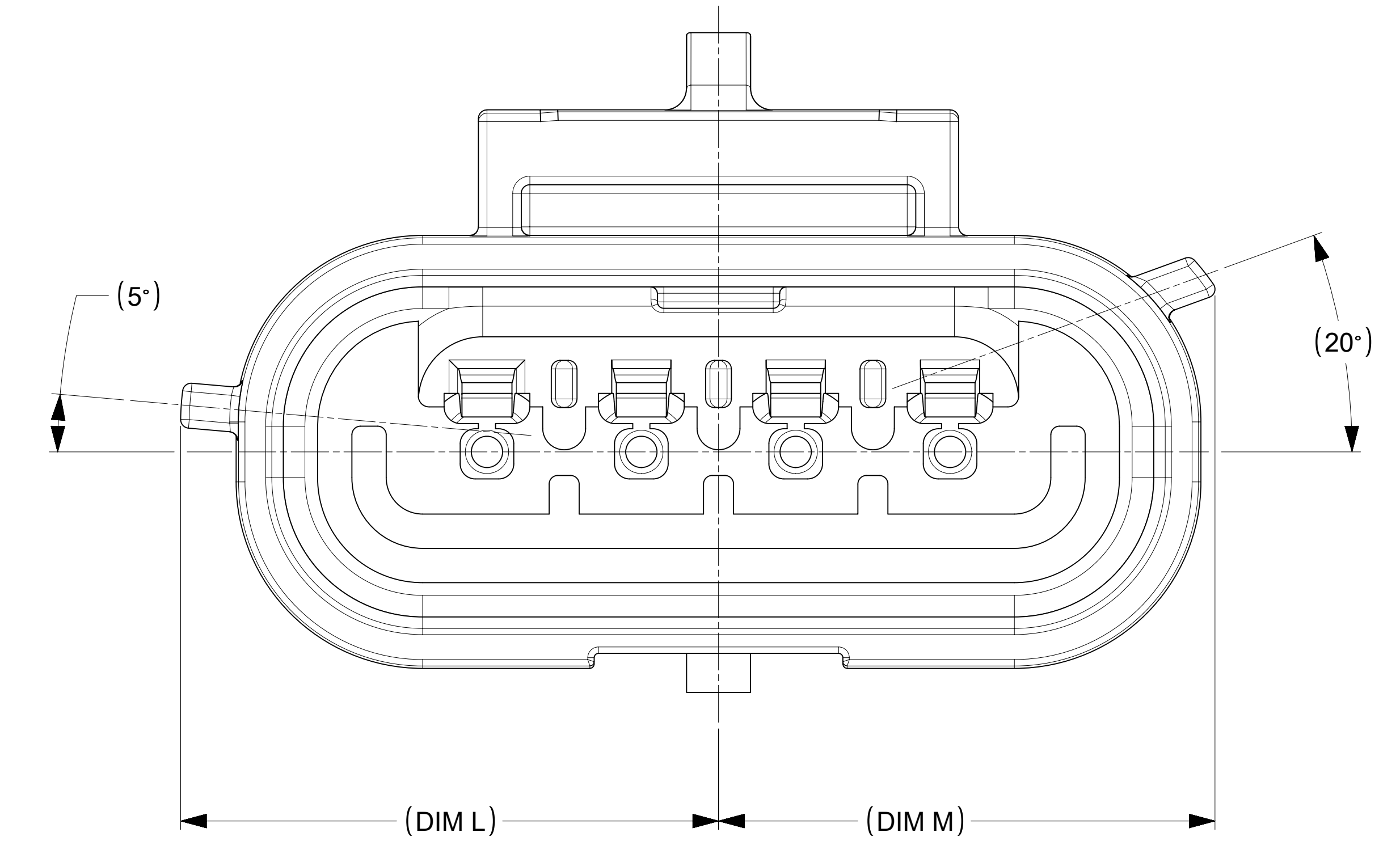
KEY A, RED COLOR



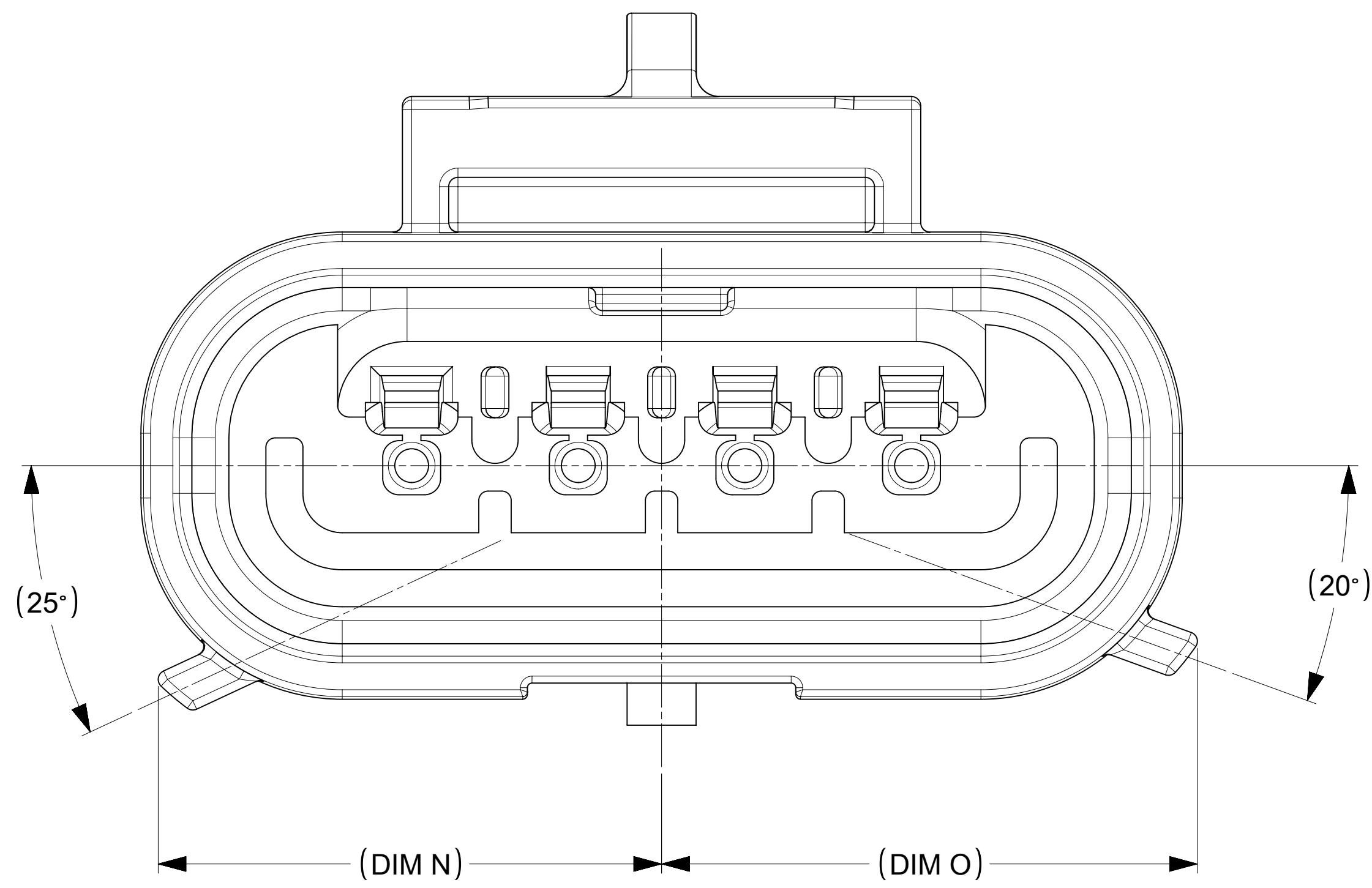
KEY B, NATURAL COLOR



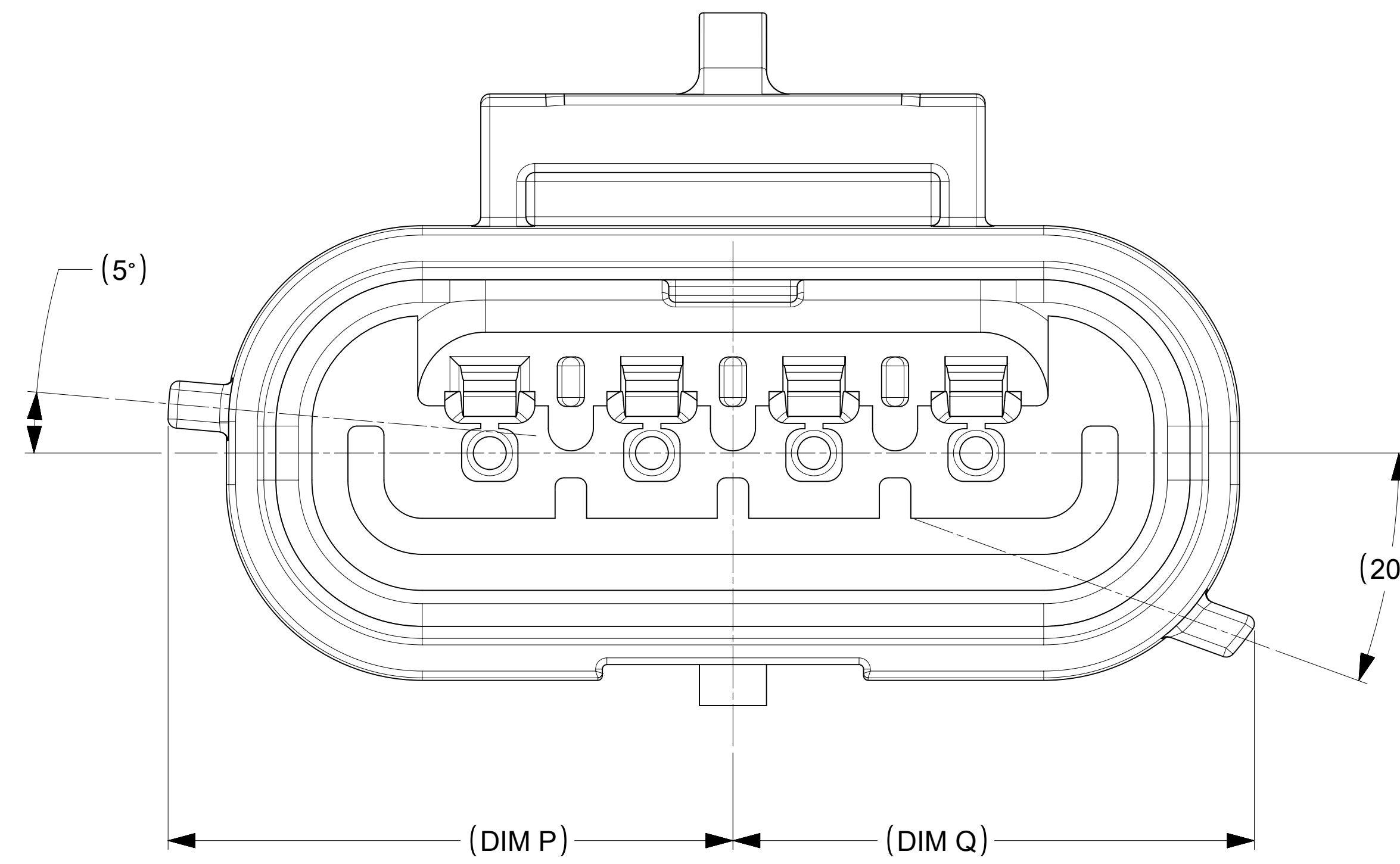
KEY C, GRAY COLOR



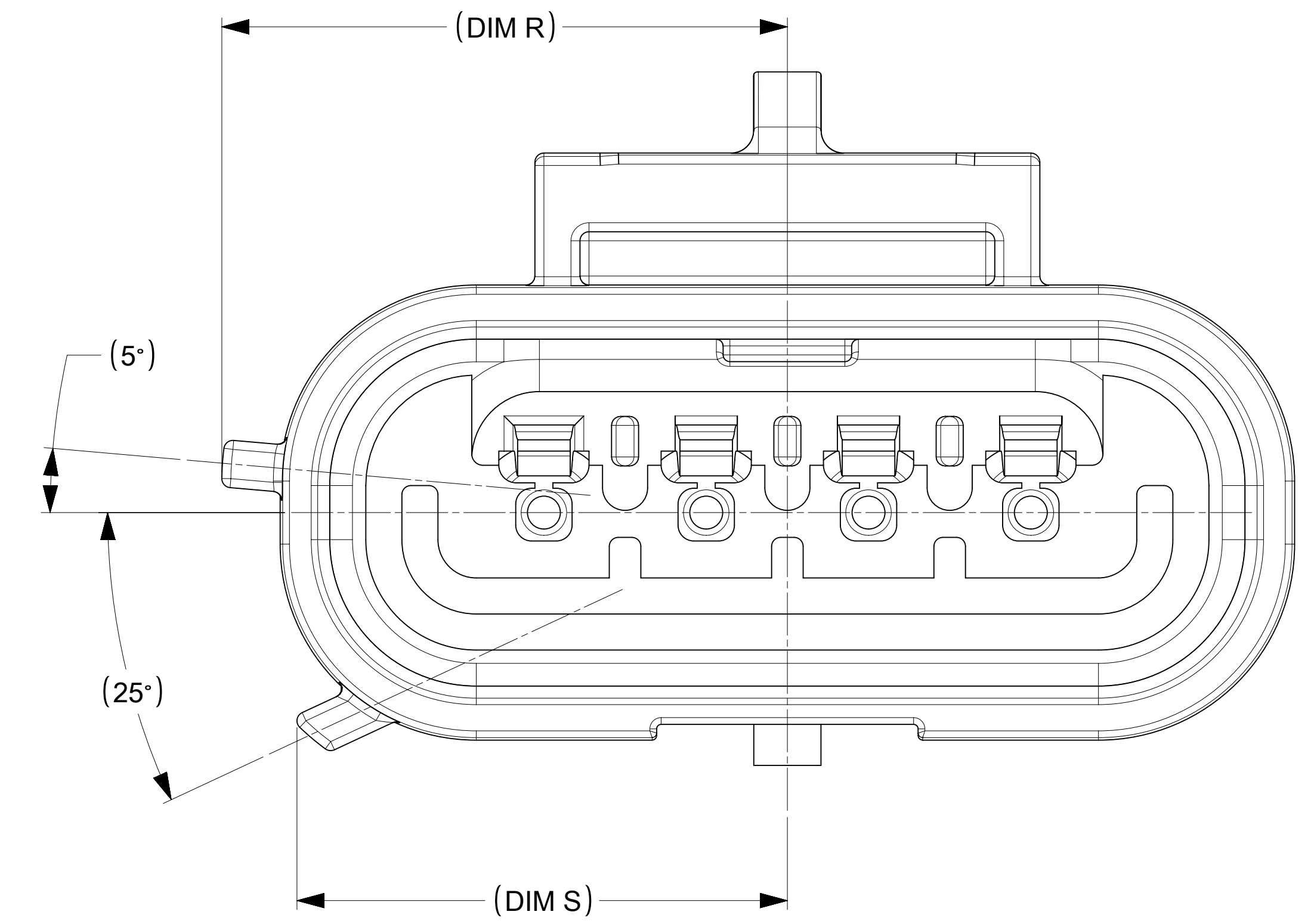
KEY D, YELLOW COLOR



KEY E, BROWN COLOR



KEY F, ORANGE COLOR



CHARTED DIMENSIONS

KEYS	KEY A RED		KEY B NATURAL		KEY C GRAY		KEY D YELLOW		KEY E BROWN		KEY F ORANGE	
	H	I	J	K	L	M	N	O	P	Q	R	S
CKT 2	8.56	8.56	8.23	8.56	8.94	8.56	8.23	8.56	8.94	8.56	8.94	8.23
CKT 3	10.10	10.10	9.61	10.10	10.75	10.10	9.61	10.10	10.75	10.10	10.75	9.61
CKT 4	11.58	11.58	10.88	11.58	12.54	11.58	10.88	11.58	12.54	11.58	12.54	10.88

NOTE: KEYING CONFIGURATIONS WILL REMAINS SAME IN 2 & 3 CKT.

FUNCTIONAL SYMBOLS	THIS DRAWING CONTAINS INFORMATION THAT IS PROPRIETARY TO MOLEX ELECTRONIC TECHNOLOGIES, LLC AND SHOULD NOT BE USED WITHOUT WRITTEN PERMISSION		<h1>molex</h1>			
	DIMENSION UNITS	SCALE				
$\nabla_A = 0$	mm	1:1	PRODUCT CUSTOMER DRAWING			
$\nabla_E = 0$	GENERAL TOLERANCES (UNLESS SPECIFIED)				DOCUMENT NUMBER	
$\nabla_B = 0$	ANGULAR TOL \pm °		2077780000-SD			
DIVISIONAL SYMBOLS	4 PLACES	\pm			DOC TYPE DOC PART REVISION	
	3 PLACES	\pm	PSD 000 D3			
	2 PLACES	\pm			MATERIAL NUMBER	
	1 PLACE	\pm 0.3	CUSTOMER			
	0 PLACES	\pm			GENERAL MARKET	
DRAFT WHERE APPLICABLE MUST REMAIN WITHIN DIMENSIONS		THIRD ANGLE PROJECTION	DRAWING	SERIES		
			E-SIZE	207778	SEE TABLE	
		EC NO: 760095	2023/08/02			
		DRWN: GOOLAM	2023/08/18			
		CHK'D: GOOLAM	2023/08/18			
		APPR: MRAMAKRISHNA	2023/08/18			
		INITIAL REVISION:				
		DRWN: MUM	2019/01/30			
		APPR: NCSR	2019/07/03			

PART NUMBER DETAILS

WITHOUT KEY P/N	WIRE STYLE	NO. OF CIRCUITS	KEYING CONFIGURATION	COLOR
2077780002	UL1007 / UL1061 OR EQUIVALENT	2	NA	BLACK
2077780003	UL1007 / UL1061 OR EQUIVALENT	3	NA	BLACK
2077780004	UL1007 / UL1061 OR EQUIVALENT	4	NA	BLACK
2077780005*	UL1007 / UL1061 OR EQUIVALENT	5	NA	BLACK
WITH KEY P/N [Ⓚ]				
2077780102	UL1007 / UL1061 OR EQUIVALENT	2	1	RED
2077780202	UL1007 / UL1061 OR EQUIVALENT	2	2	NATURAL
2077780302	UL1007 / UL1061 OR EQUIVALENT	2	3	GRAY
2077780402	UL1007 / UL1061 OR EQUIVALENT	2	4	YELLOW
2077780502	UL1007 / UL1061 OR EQUIVALENT	2	5	BROWN
2077780602	UL1007 / UL1061 OR EQUIVALENT	2	6	ORANGE
2077780103	UL1007 / UL1061 OR EQUIVALENT	3	1	RED
2077780203	UL1007 / UL1061 OR EQUIVALENT	3	2	NATURAL
2077780303	UL1007 / UL1061 OR EQUIVALENT	3	3	GRAY
2077780403	UL1007 / UL1061 OR EQUIVALENT	3	4	YELLOW
2077780503	UL1007 / UL1061 OR EQUIVALENT	3	5	BROWN
2077780603	UL1007 / UL1061 OR EQUIVALENT	3	6	ORANGE
2077780104	UL1007 / UL1061 OR EQUIVALENT	4	1	RED
2077780204	UL1007 / UL1061 OR EQUIVALENT	4	2	NATURAL
2077780304	UL1007 / UL1061 OR EQUIVALENT	4	3	GRAY
2077780404	UL1007 / UL1061 OR EQUIVALENT	4	4	YELLOW
2077780504	UL1007 / UL1061 OR EQUIVALENT	4	5	BROWN
2077780604	UL1007 / UL1061 OR EQUIVALENT	4	6	ORANGE
WITH KEY AND CLIP SLOT P/N [Ⓚ]				
2077781102	UL1007 / UL1061 OR EQUIVALENT	2	1	RED
2077781202	UL1007 / UL1061 OR EQUIVALENT	2	2	NATURAL
2077781302	UL1007 / UL1061 OR EQUIVALENT	2	3	GRAY
2077781402	UL1007 / UL1061 OR EQUIVALENT	2	4	YELLOW
2077781502	UL1007 / UL1061 OR EQUIVALENT	2	5	BROWN
2077781602	UL1007 / UL1061 OR EQUIVALENT	2	6	ORANGE
2077781103	UL1007 / UL1061 OR EQUIVALENT	3	1	RED
2077781203	UL1007 / UL1061 OR EQUIVALENT	3	2	NATURAL
2077781303	UL1007 / UL1061 OR EQUIVALENT	3	3	GRAY
2077781403	UL1007 / UL1061 OR EQUIVALENT	3	4	YELLOW
2077781503	UL1007 / UL1061 OR EQUIVALENT	3	5	BROWN
2077781603	UL1007 / UL1061 OR EQUIVALENT	3	6	ORANGE
2077781104	UL1007 / UL1061 OR EQUIVALENT	4	1	RED
2077781204	UL1007 / UL1061 OR EQUIVALENT	4	2	NATURAL
2077781304	UL1007 / UL1061 OR EQUIVALENT	4	3	GRAY
2077781404	UL1007 / UL1061 OR EQUIVALENT	4	4	YELLOW
2077781504	UL1007 / UL1061 OR EQUIVALENT	4	5	BROWN
2077781604	UL1007 / UL1061 OR EQUIVALENT	4	6	ORANGE

WITHOUT KEY P/N	WIRE STYLE	NO. OF CIRCUITS	KEYING CONFIGURATION	COLOR
2077780012	UL1015 / UL1230 OR EQUIVALENT	2	NA	BLACK
2077780013	UL1015 / UL1230 OR EQUIVALENT	3	NA	BLACK
2077780014	UL1015 / UL1230 OR EQUIVALENT	4	NA	BLACK
WITH KEY P/N [Ⓚ]				
2077780112	UL1015 / UL1230 OR EQUIVALENT	2	1	RED
2077780212	UL1015 / UL1230 OR EQUIVALENT	2	2	NATURAL
2077780312	UL1015 / UL1230 OR EQUIVALENT	2	3	GRAY
2077780412	UL1015 / UL1230 OR EQUIVALENT	2	4	YELLOW
2077780512	UL1015 / UL1230 OR EQUIVALENT	2	5	BROWN
2077780612	UL1015 / UL1230 OR EQUIVALENT	2	6	ORANGE
2077780113	UL1015 / UL1230 OR EQUIVALENT	3	1	RED
2077780213	UL1015 / UL1230 OR EQUIVALENT	3	2	NATURAL
2077780313	UL1015 / UL1230 OR EQUIVALENT	3	3	GRAY
2077780413	UL1015 / UL1230 OR EQUIVALENT	3	4	YELLOW
2077780513	UL1015 / UL1230 OR EQUIVALENT	3	5	BROWN
2077780613	UL1015 / UL1230 OR EQUIVALENT	3	6	ORANGE
2077780114	UL1015 / UL1230 OR EQUIVALENT	4	1	RED
2077780214	UL1015 / UL1230 OR EQUIVALENT	4	2	NATURAL
2077780314	UL1015 / UL1230 OR EQUIVALENT	4	3	GRAY
2077780414	UL1015 / UL1230 OR EQUIVALENT	4	4	YELLOW
2077780514	UL1015 / UL1230 OR EQUIVALENT	4	5	BROWN
2077780614	UL1015 / UL1230 OR EQUIVALENT	4	6	ORANGE
WITH KEY AND CLIP SLOT P/N [Ⓚ]				
2077781112	UL1015 / UL1230 OR EQUIVALENT	2	1	RED
2077781212	UL1015 / UL1230 OR EQUIVALENT	2	2	NATURAL
2077781312	UL1015 / UL1230 OR EQUIVALENT	2	3	GRAY
2077781412	UL1015 / UL1230 OR EQUIVALENT	2	4	YELLOW
2077781512	UL1015 / UL1230 OR EQUIVALENT	2	5	BROWN
2077781612	UL1015 / UL1230 OR EQUIVALENT	2	6	ORANGE
2077781113	UL1015 / UL1230 OR EQUIVALENT	3	1	RED
2077781213	UL1015 / UL1230 OR EQUIVALENT	3	2	NATURAL
2077781313	UL1015 / UL1230 OR EQUIVALENT	3	3	GRAY
2077781413	UL1015 / UL1230 OR EQUIVALENT	3	4	YELLOW
2077781513	UL1015 / UL1230 OR EQUIVALENT	3	5	BROWN
2077781613	UL1015 / UL1230 OR EQUIVALENT	3	6	ORANGE
2077781114	UL1015 / UL1230 OR EQUIVALENT	4	1	RED
2077781214	UL1015 / UL1230 OR EQUIVALENT	4	2	NATURAL
2077781314	UL1015 / UL1230 OR EQUIVALENT	4	3	GRAY
2077781414	UL1015 / UL1230 OR EQUIVALENT	4	4	YELLOW
2077781514	UL1015 / UL1230 OR EQUIVALENT	4	5	BROWN
2077781614	UL1015 / UL1230 OR EQUIVALENT	4	6	ORANGE

PART NUMBER LOGIC [Ⓚ]

207778 - X X X X


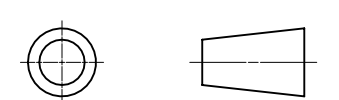
CIRCUITE SIZE

0 = UL1007/1061 COMPATIBLE
1 = UL1015 / UL1230 COMPATIBLE

1 - 6 KEYS

1 = CLIP SLOT / WITH PANEL MOUNT
0 = NON-CLIP SLOT / WITHOUT PANEL MOUNT

SERIES NUMBERS

FUNCTIONAL SYMBOLS	THIS DRAWING CONTAINS INFORMATION THAT IS PROPRIETARY TO MOLEX ELECTRONIC TECHNOLOGIES, LLC AND SHOULD NOT BE USED WITHOUT WRITTEN PERMISSION					
	DIMENSION UNITS	SCALE				
$\nabla = 0$	mm	1:1	GENERAL TOLERANCES (UNLESS SPECIFIED)		EC NO: 760095 DRWN: GOOLAM CHK'D: GOOLAM APPR: MRAMAKRISHNA	
$\nabla = 0$	ANGULAR TOL \pm °					
$\nabla = 0$	4 PLACES \pm		INITIAL REVISION:		2023/08/02 2023/08/18 2023/08/18	
DIVISIONAL SYMBOLS	3 PLACES \pm					
	2 PLACES \pm					
	1 PLACE \pm 0.3					
0 PLACES \pm		DRWN: MUM APPR: NCSR		2019/01/30 2019/07/03		
DRAFT WHERE APPLICABLE MUST REMAIN WITHIN DIMENSIONS		THIRD ANGLE PROJECTION	DRAWING	SERIES	MATERIAL NUMBER	CUSTOMER
			E-SIZE	207778	SEE TABLE	GENERAL MARKET
						SHEET NUMBER
						4 OF 4