

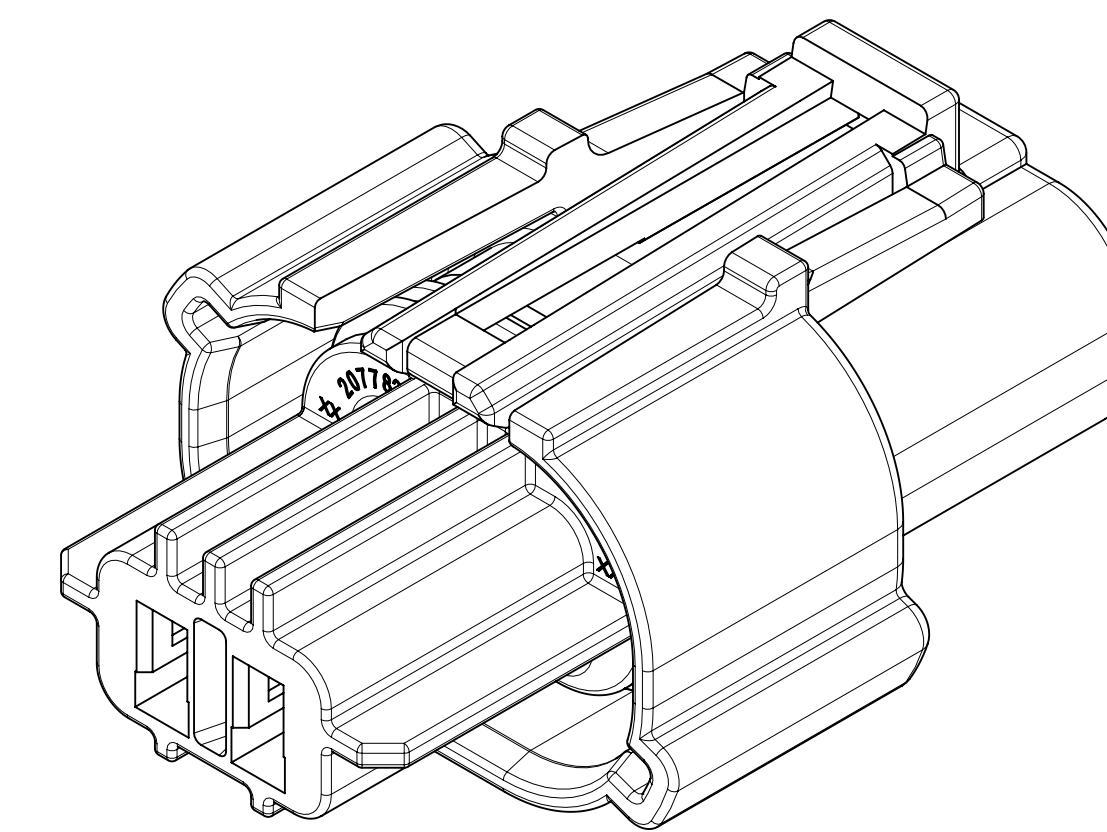
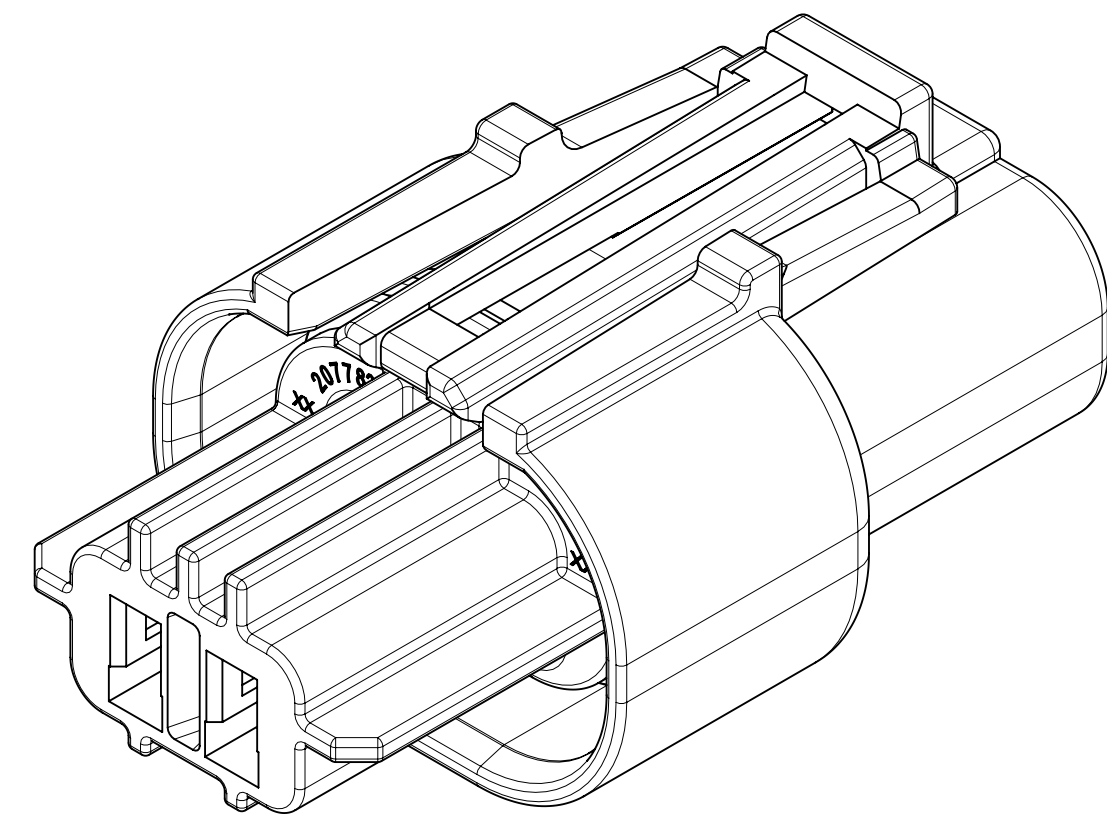
CIRCUIT CONFIGURATIONS

CIRCUITE SIZE

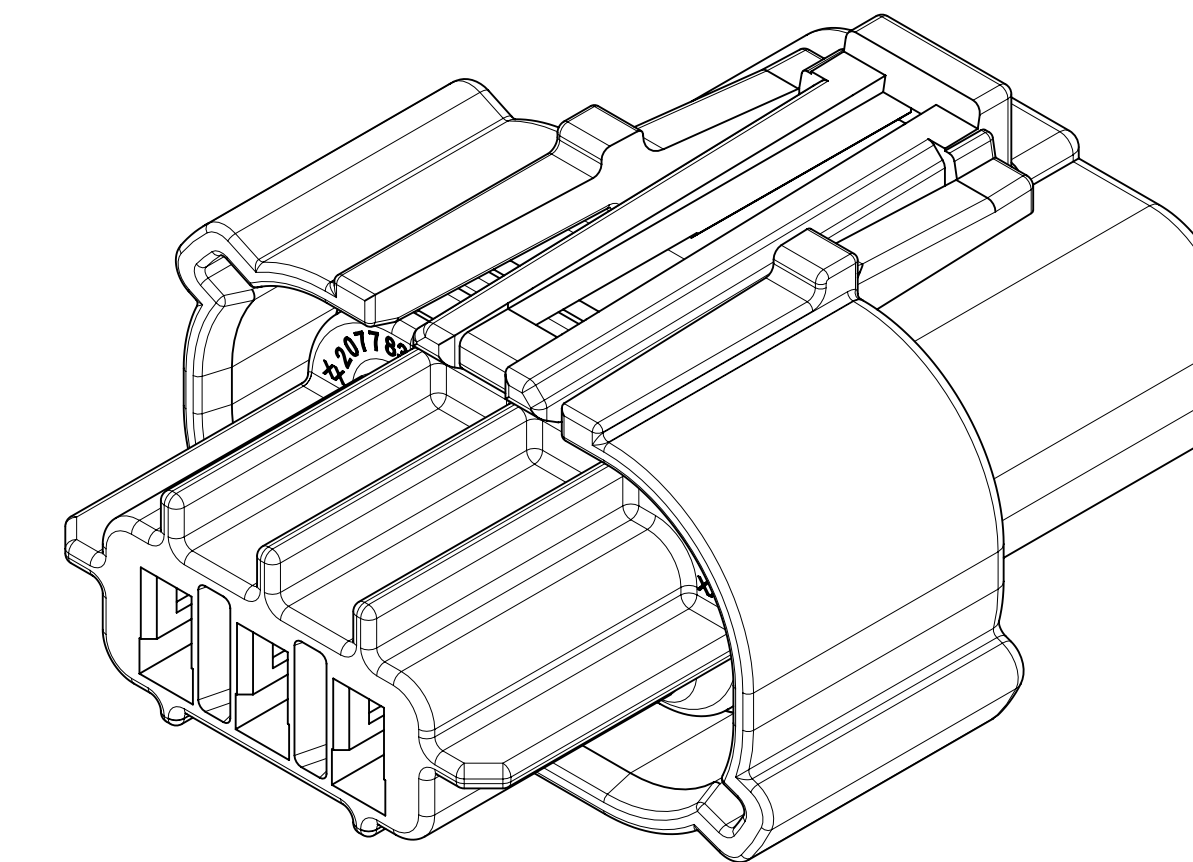
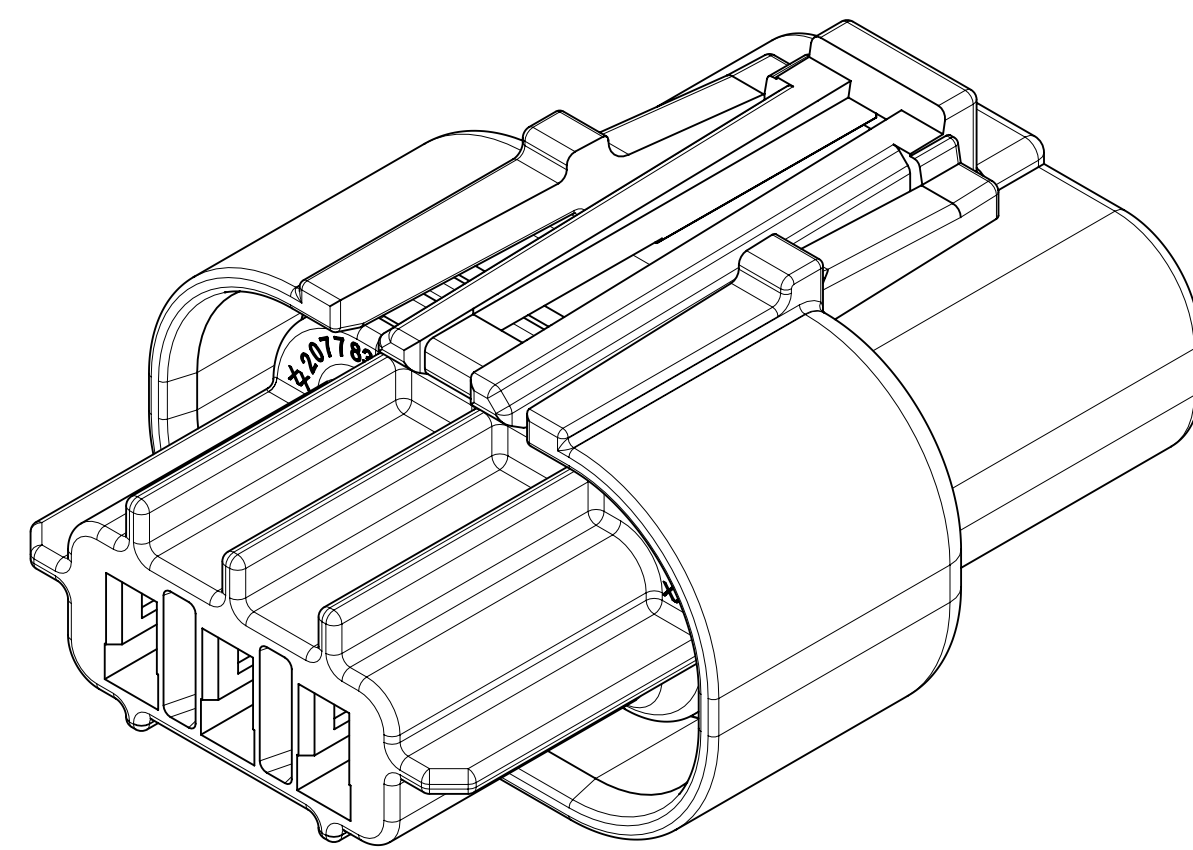
RECEPTACLE SEAL CAP WITHOUT KEY

RECEPTACLE SEAL CAP WITH KEY D

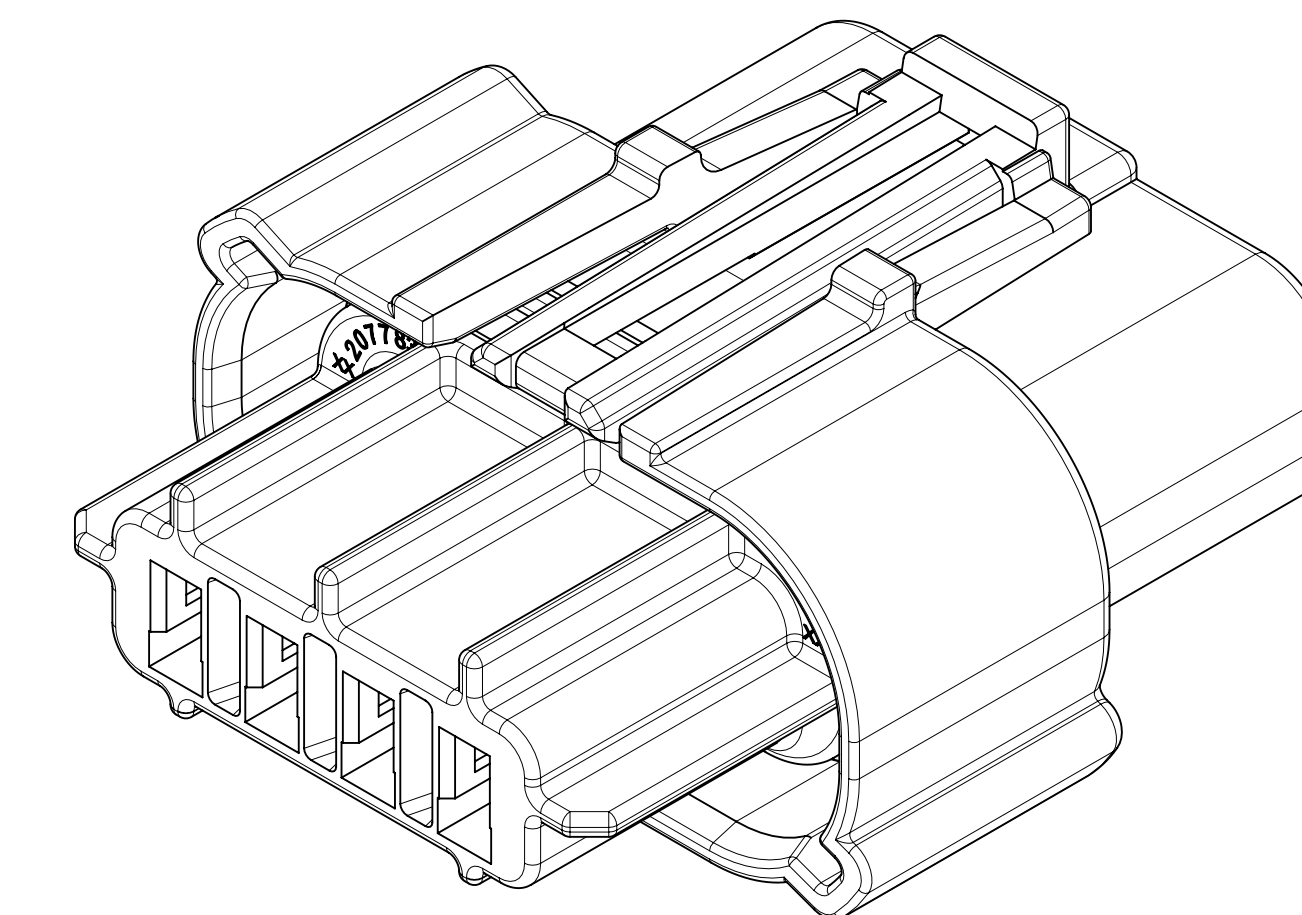
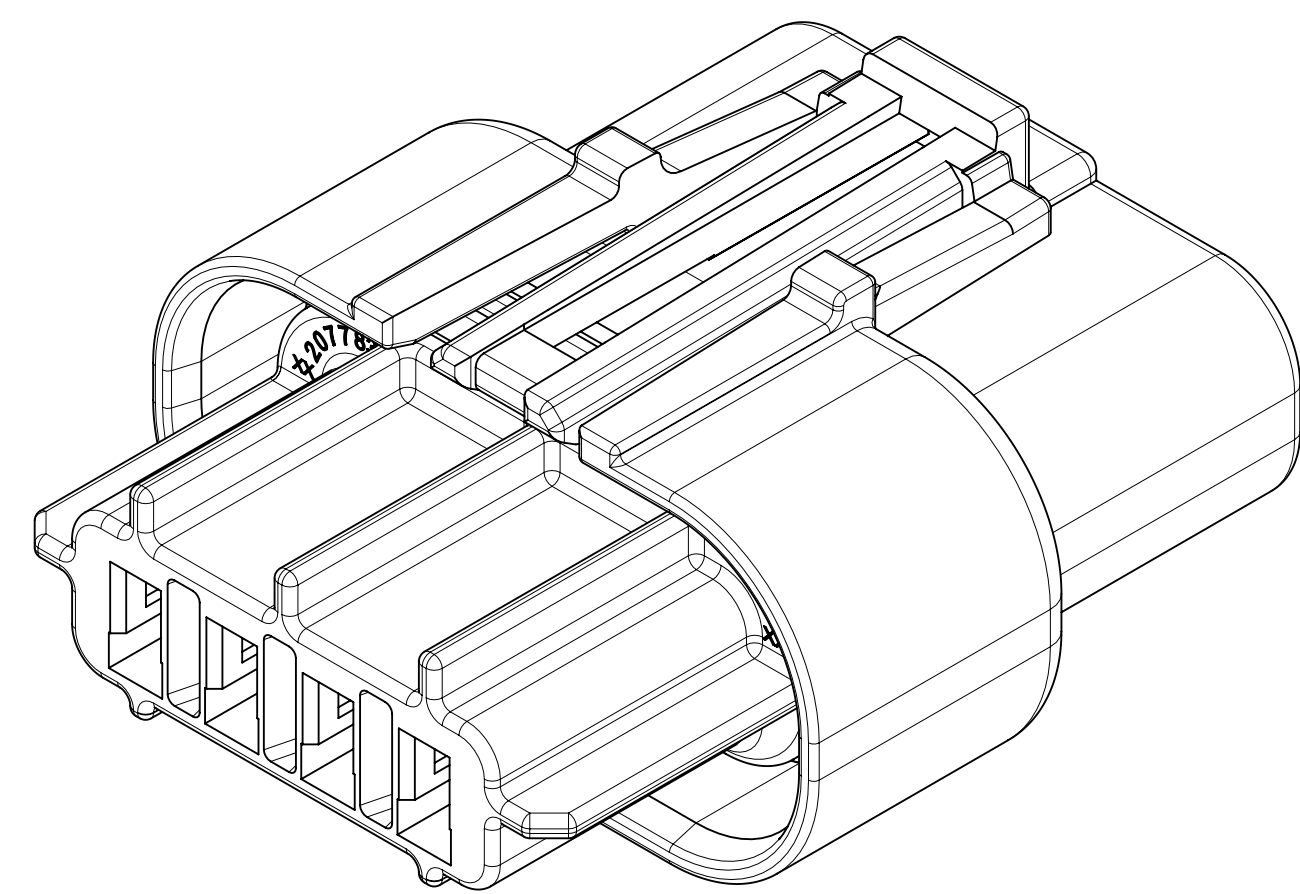
2 CKT



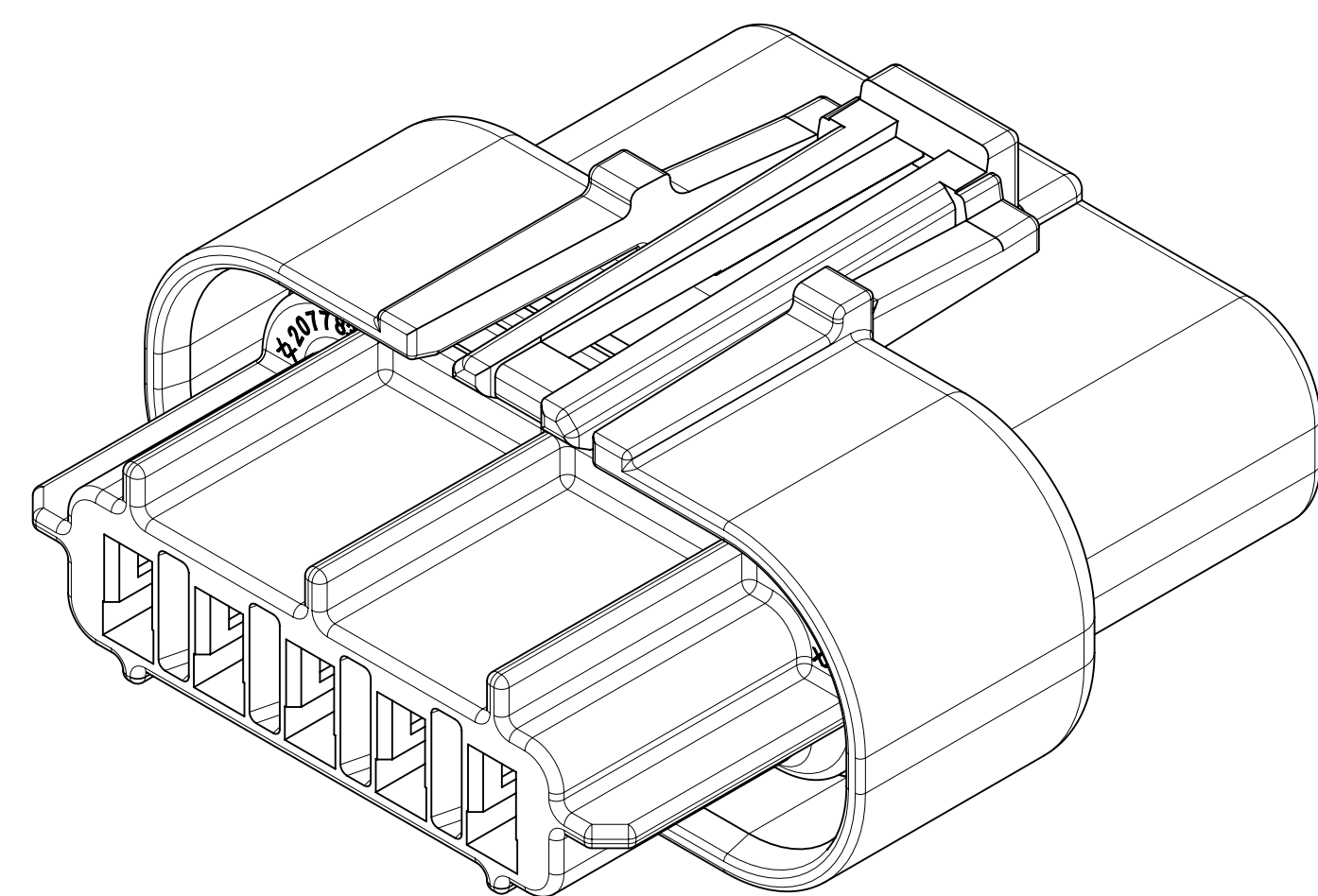
3 CKT



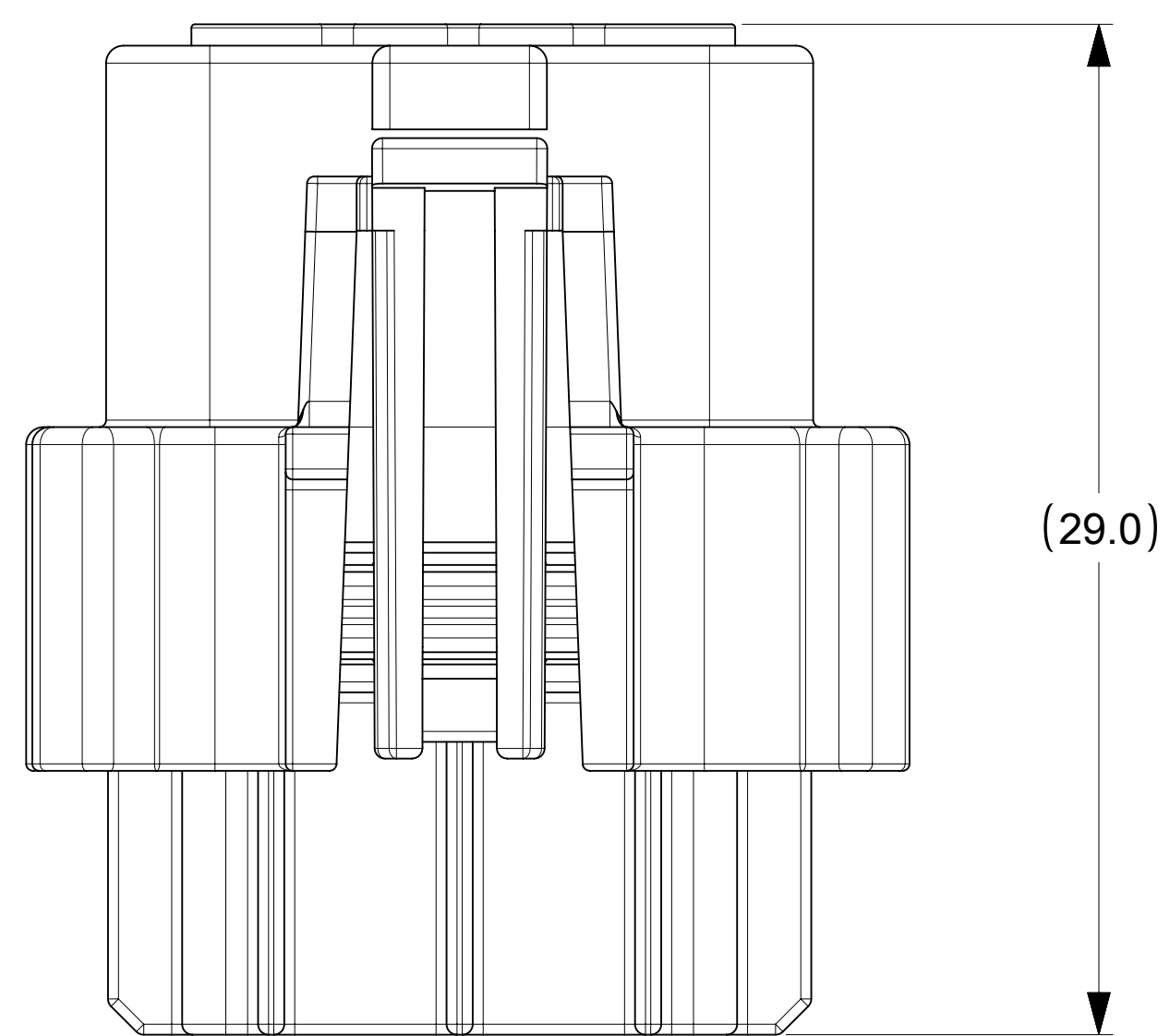
4 CKT



5 CKT



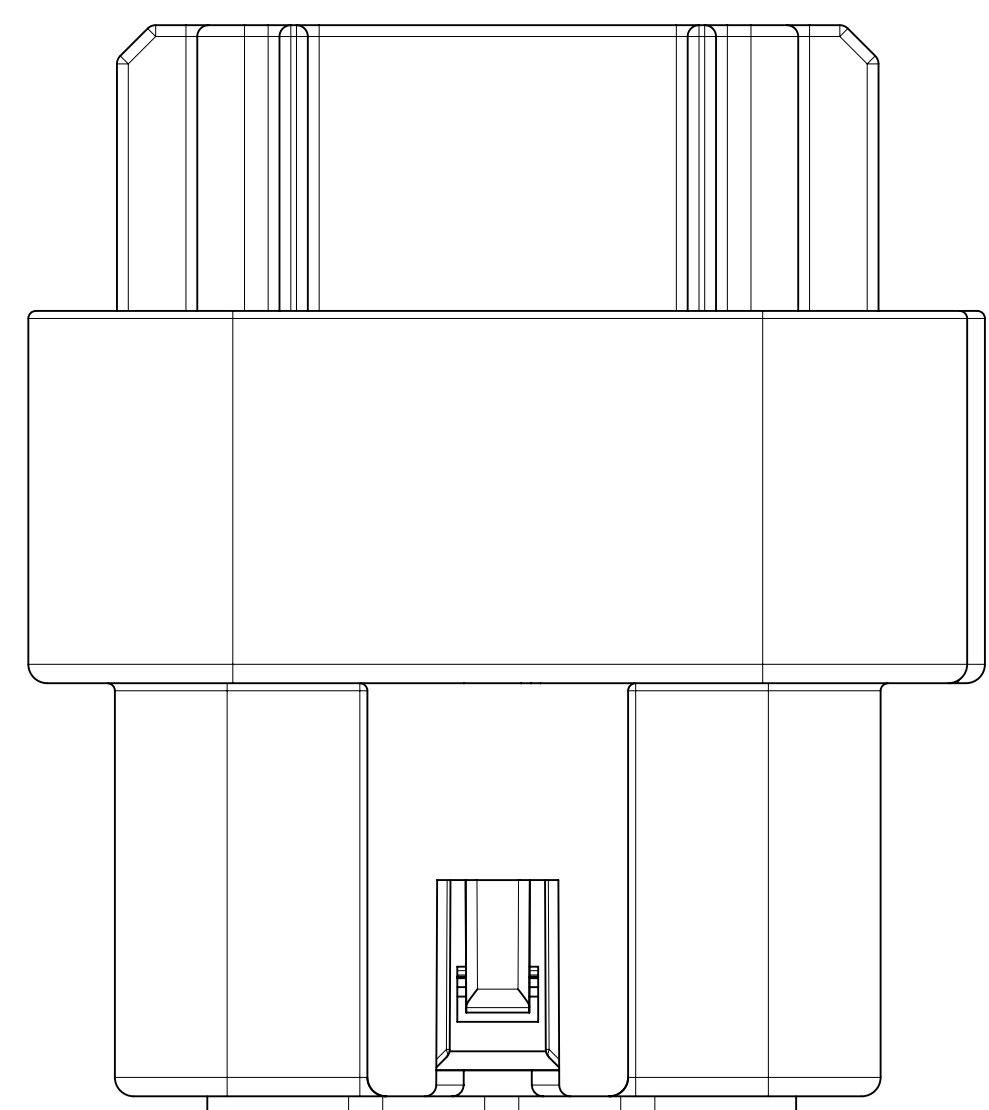
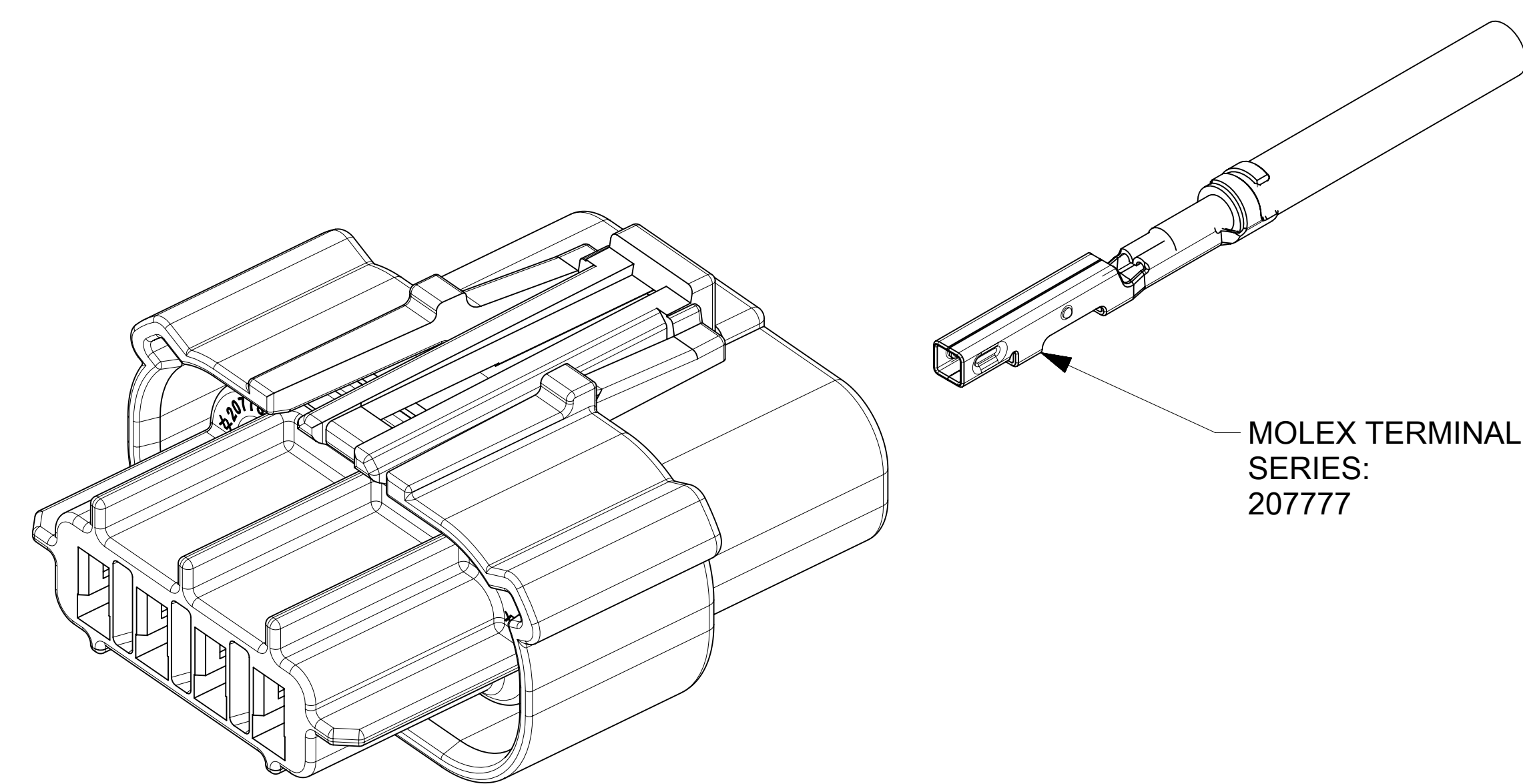
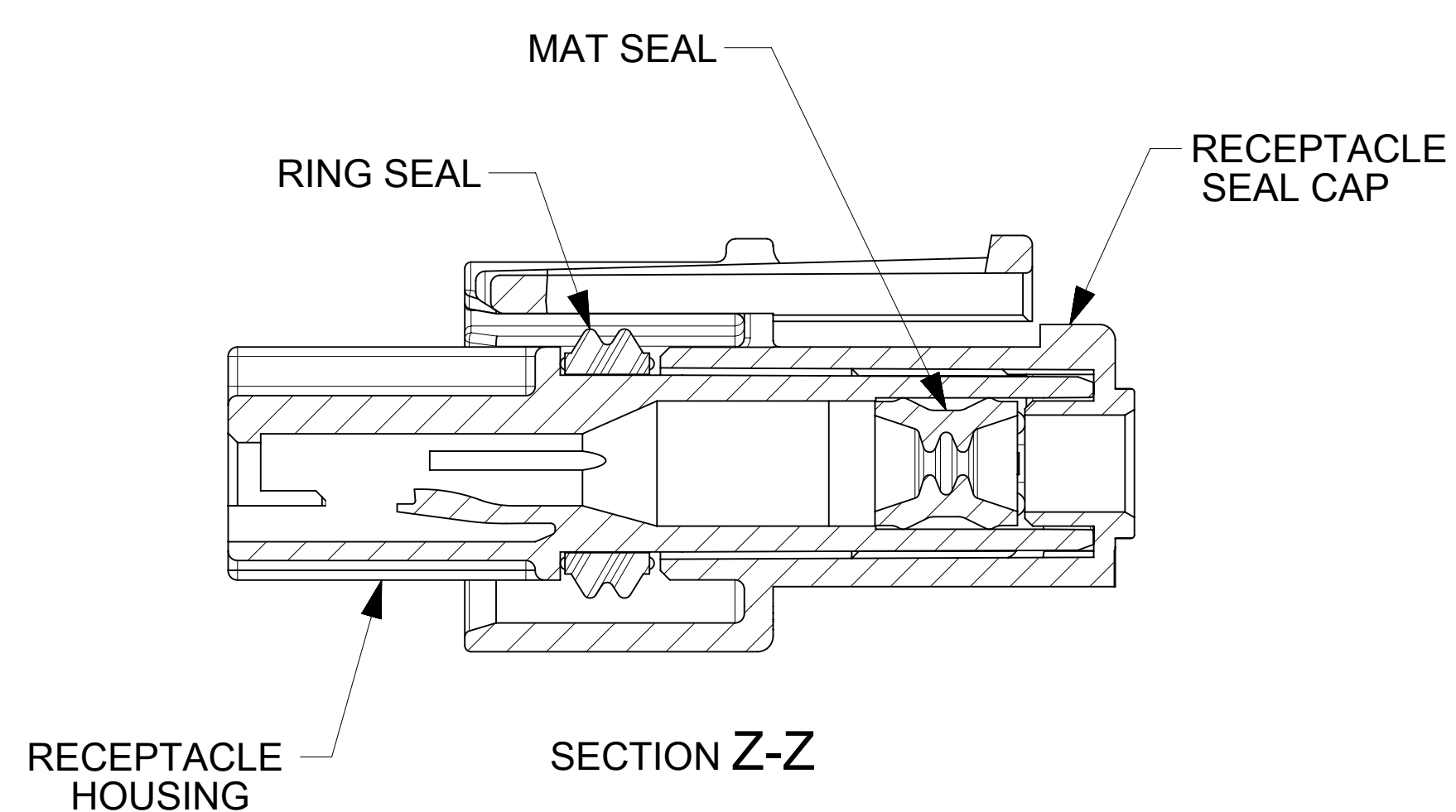
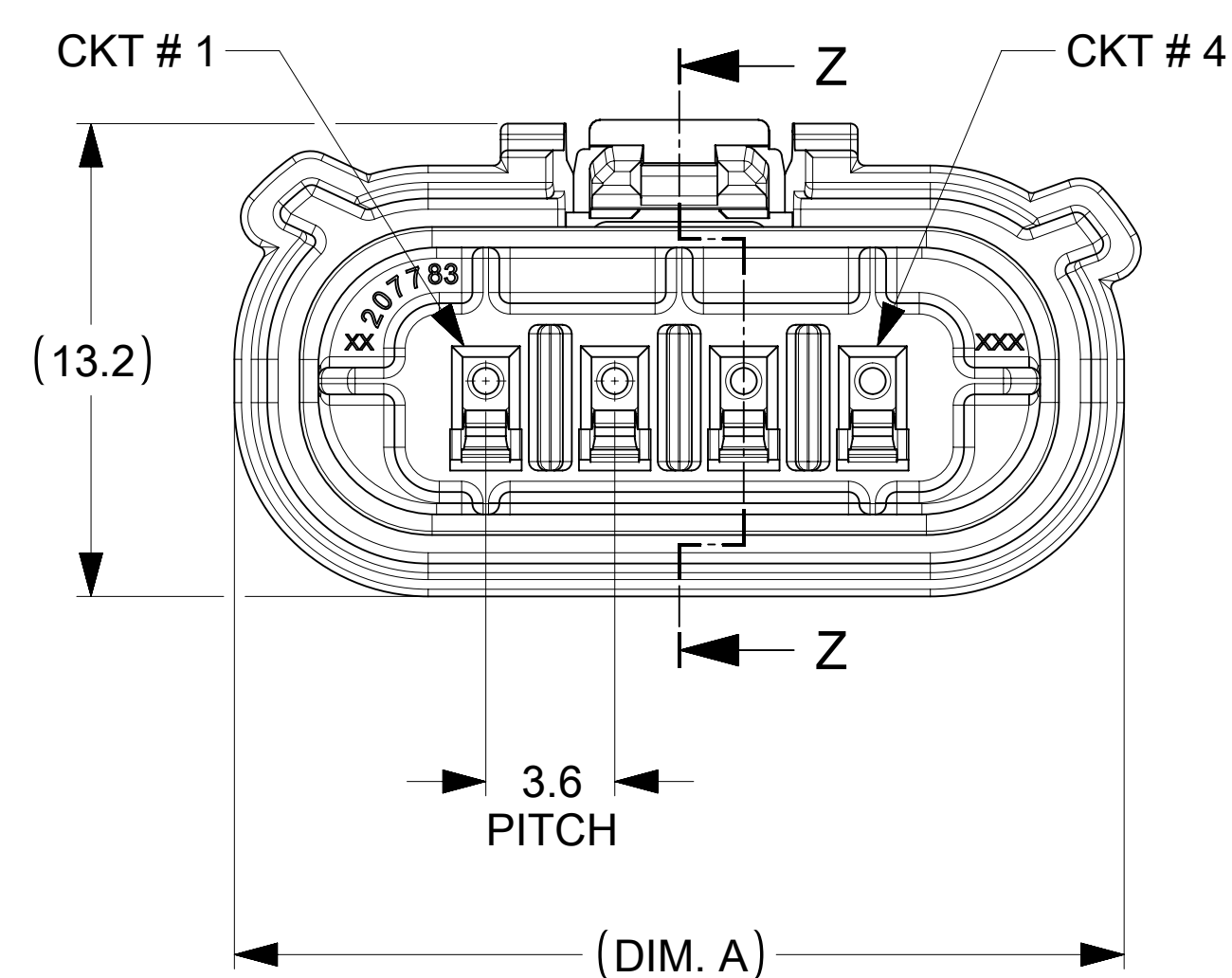
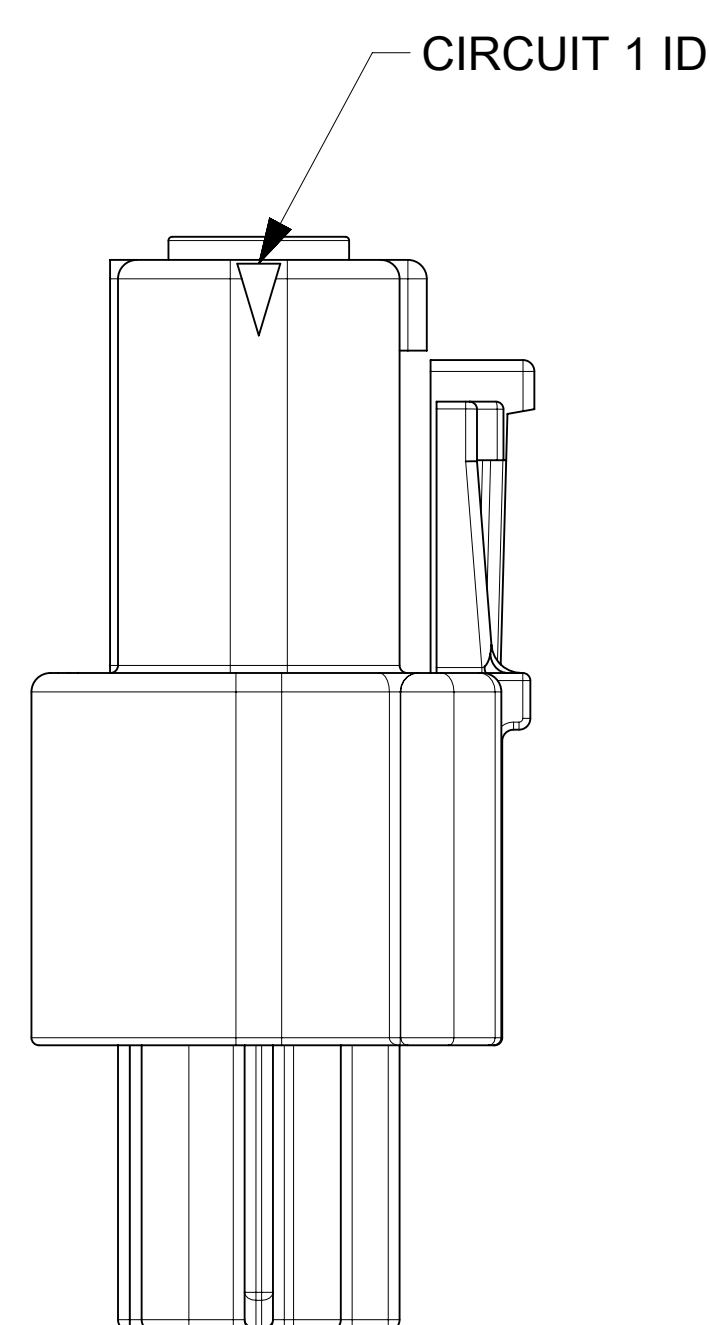
FUNCTIONAL SYMBOLS	THIS DRAWING CONTAINS INFORMATION THAT IS PROPRIETARY TO MOLEX ELECTRONIC TECHNOLOGIES, LLC AND SHOULD NOT BE USED WITHOUT WRITTEN PERMISSION											
	DIMENSION UNITS	SCALE	CURRENT REV DESC: RE-RELEASED FOR CONVERSION ISSUE.							molex		
$\nabla_A = 0$	mm	5:1	GENERAL TOLERANCES (UNLESS SPECIFIED)									RECEPTACLE ASSEMBLY SQUBA 3.6
$\nabla_E = 0$	ANGULAR TOL \pm °											
$\nabla_F = 0$	4 PLACES \pm		EC NO: 760095 DRWN: GOOLAM CHK'D: GOOLAM APPR: MRAMAKRISHNA							PRODUCT CUSTOMER DRAWING		
DIVISIONAL SYMBOLS	3 PLACES \pm											
	2 PLACES \pm 0.2		INITIAL REVISION: DRWN: MUM APPR: NCSR							DOCUMENT NUMBER 2077820000-SD		
	1 PLACE \pm 0.25											
	0 PLACES \pm		THIRD ANGLE PROJECTION 							DOC TYPE DOC PART REVISION PSD 000 D3		
	DRAFT WHERE APPLICABLE MUST REMAIN WITHIN DIMENSIONS											
			DRAWING		SERIES		MATERIAL NUMBER		CUSTOMER		SHEET NUMBER	
			E-SIZE		207782		SEE TABLE		GENERAL MARKET		1 OF 4	



NOTES:

1. MATERIAL:
HOUSING & REAR SEAL CAP: REFER PART NUMBER DETAILS.
SEALS: INHERENTLY LUBRICATED SILICON.
2. PRODUCT SPECIFICATION: 2077760000-PS.
3. APPLICATION SPECIFICATION: 2077760000-AS.
4. PACKAGING SPECIFICATION: 2077820000-PK.
5. THIS PART MATES WITH PLUG SERIES 207778.
6. THIS PART USES TERMINAL SERIES 2077770001, 2077770002 AND 2077770003.
7. THIS PART CONFORMS TO CLASS 'B' REQUIREMENTS OF COSMETIC SPECIFICATION PS-45499-002.

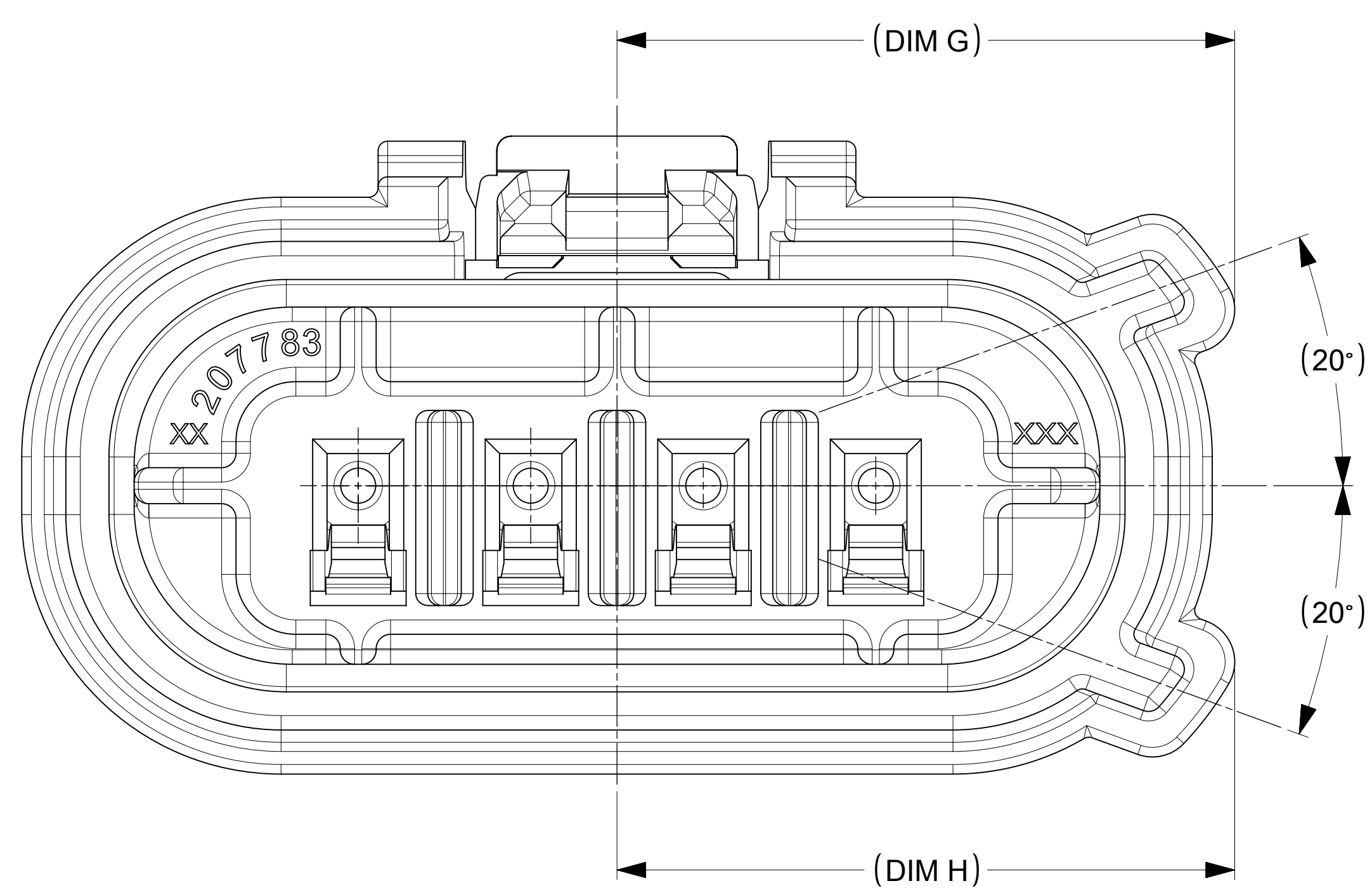
CKT SIZE	DIM. A
2	17.64
3	21.24
4	24.84



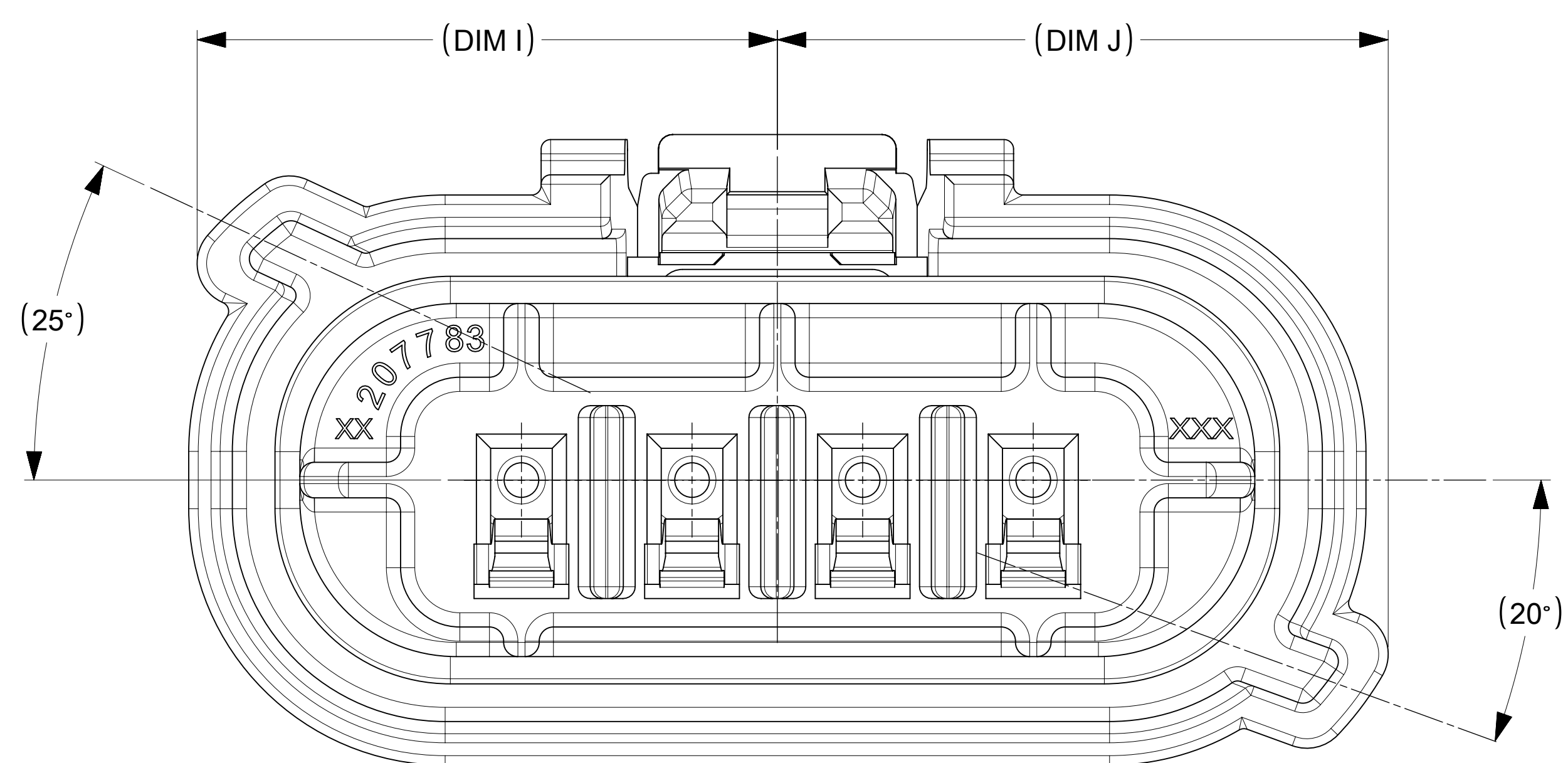
FUNCTIONAL SYMBOLS	THIS DRAWING CONTAINS INFORMATION THAT IS PROPRIETARY TO MOLEX ELECTRONIC TECHNOLOGIES, LLC AND SHOULD NOT BE USED WITHOUT WRITTEN PERMISSION					
	DIMENSION UNITS	SCALE				
$\nabla_A = 0$	mm	5:1	EC NO: 760095		2023/08/02	
$\nabla_E = 0$	GENERAL TOLERANCES (UNLESS SPECIFIED)		DRWN: GOOLAM		2023/08/18	
$\nabla_F = 0$	ANGULAR TOL \pm °		CHK'D: GOOLAM		2023/08/18	
DIVISIONAL SYMBOLS	4 PLACES	\pm	APPR: MRAMAKRISHNA		2023/08/18	
	3 PLACES	\pm	INITIAL REVISION:			
	2 PLACES	\pm 0.2	DRWN: MUM		2019/01/30	
	1 PLACE	\pm 0.25	APPR: NCSR		2019/07/03	
	0 PLACES	\pm				
DRAFT WHERE APPLICABLE MUST REMAIN WITHIN DIMENSIONS		THIRD ANGLE PROJECTION	DRAWING	SERIES	MATERIAL NUMBER	
			E-SIZE	207782	2077820000-SD	
DOCUMENT STATUS		P1	RELEASE DATE	2023/08/18	10:37:24	
			DOC TYPE	DOC PART	REVISION	
			PSD	000	D3	
			PRODUCT CUSTOMER DRAWING			
			CUSTOMER	SHEET NUMBER		
			GENERAL MARKET	2 OF 4		

KEYING CONFIGURATIONS D

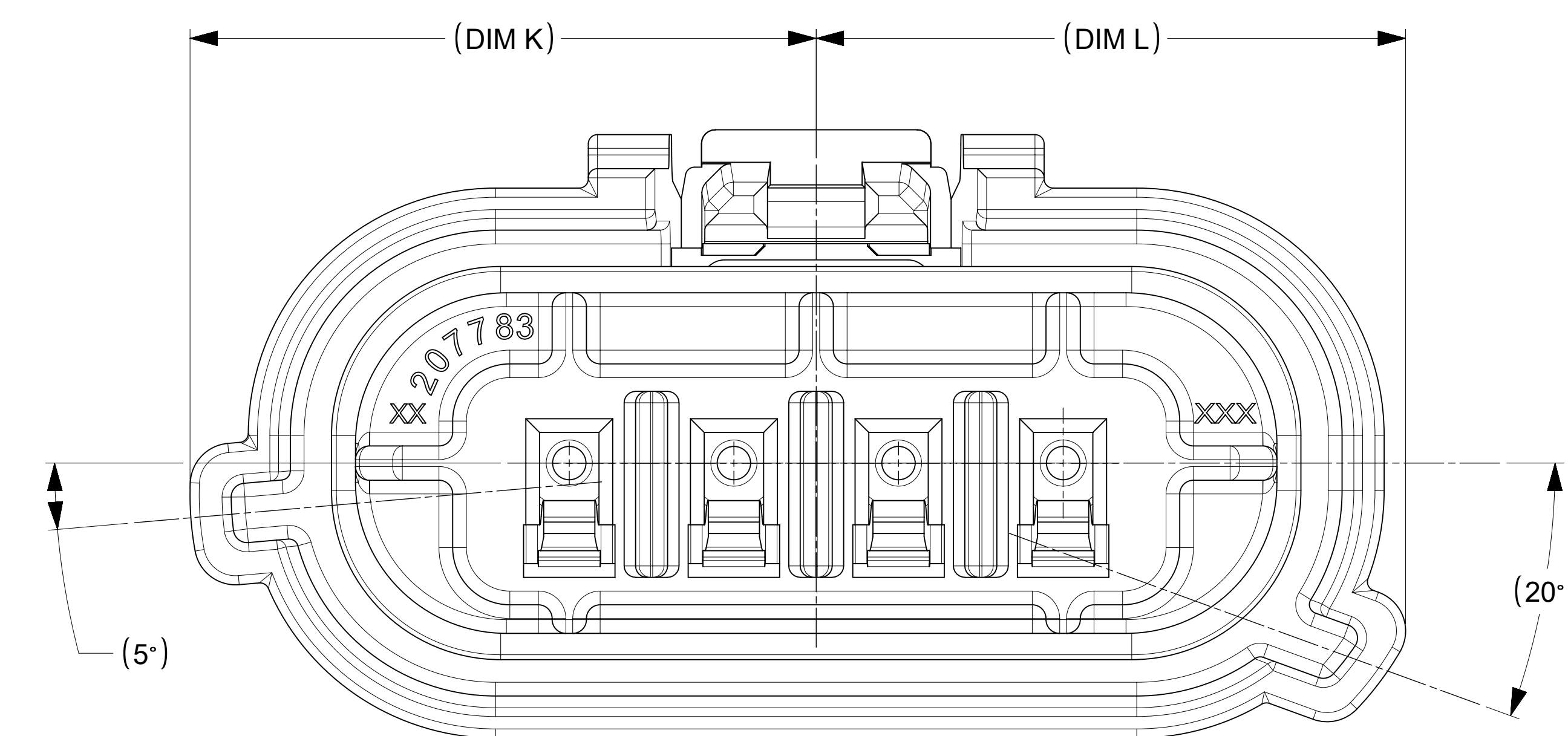
KEY A, RED COLOR



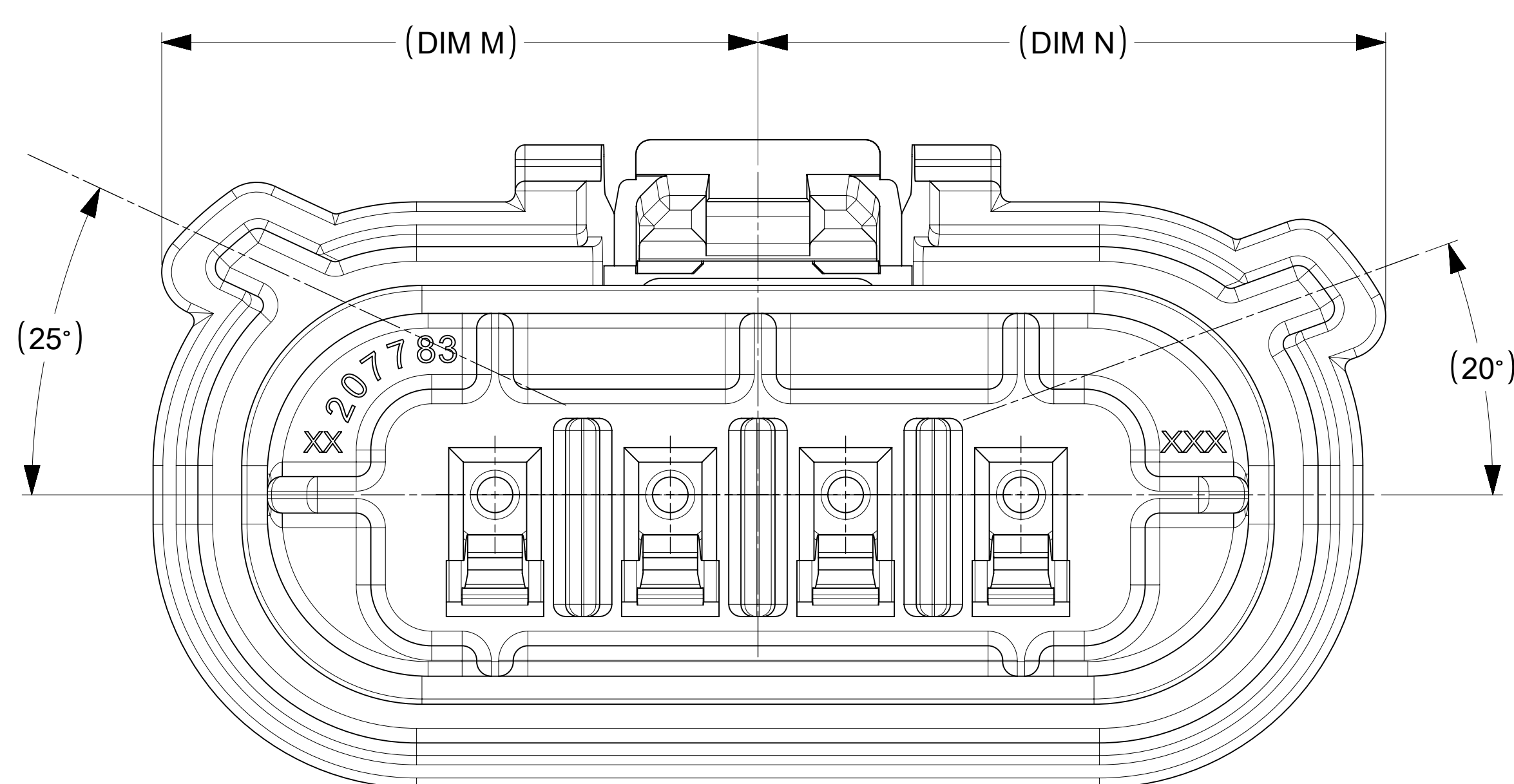
KEY B, NATURAL COLOR



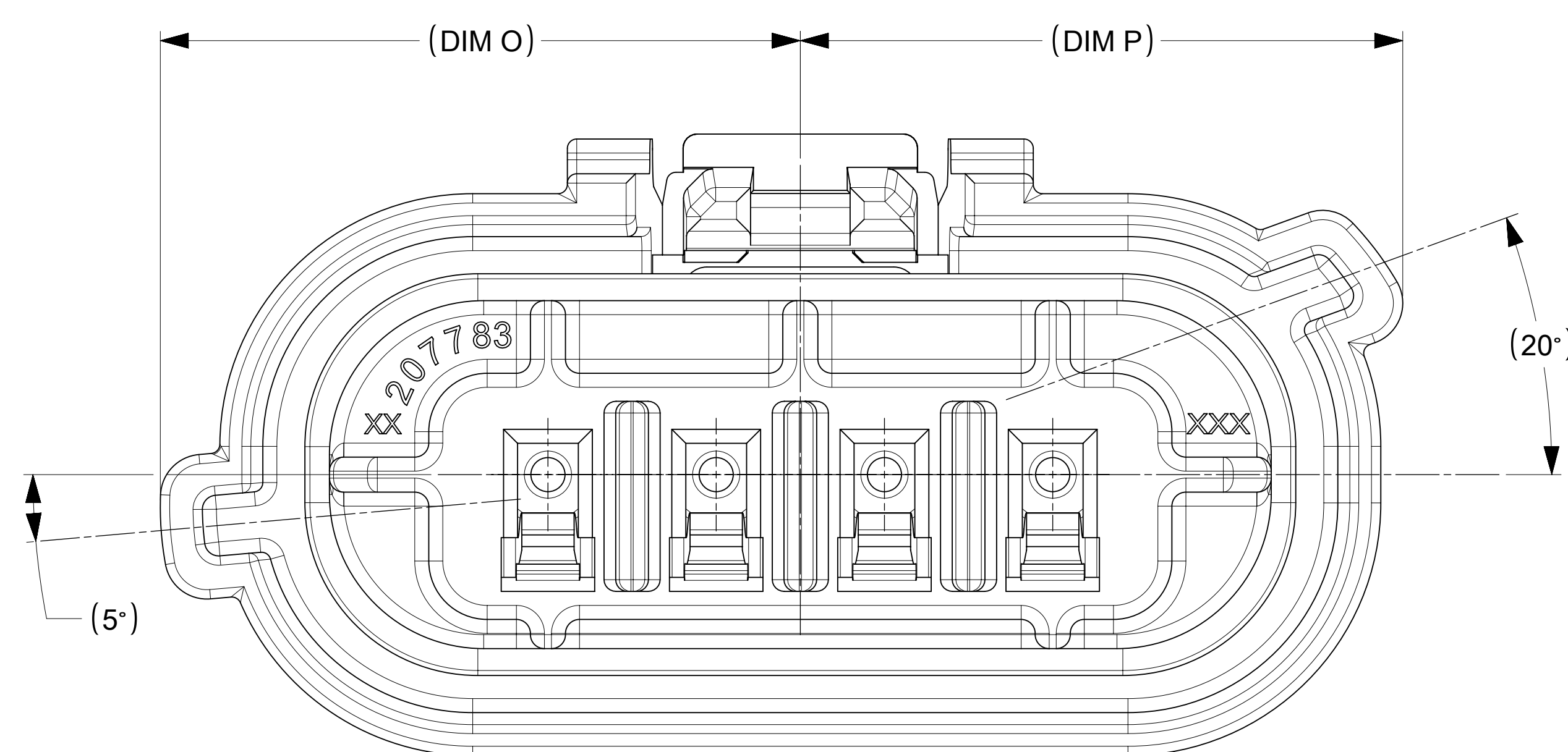
KEY C, GRAY COLOR



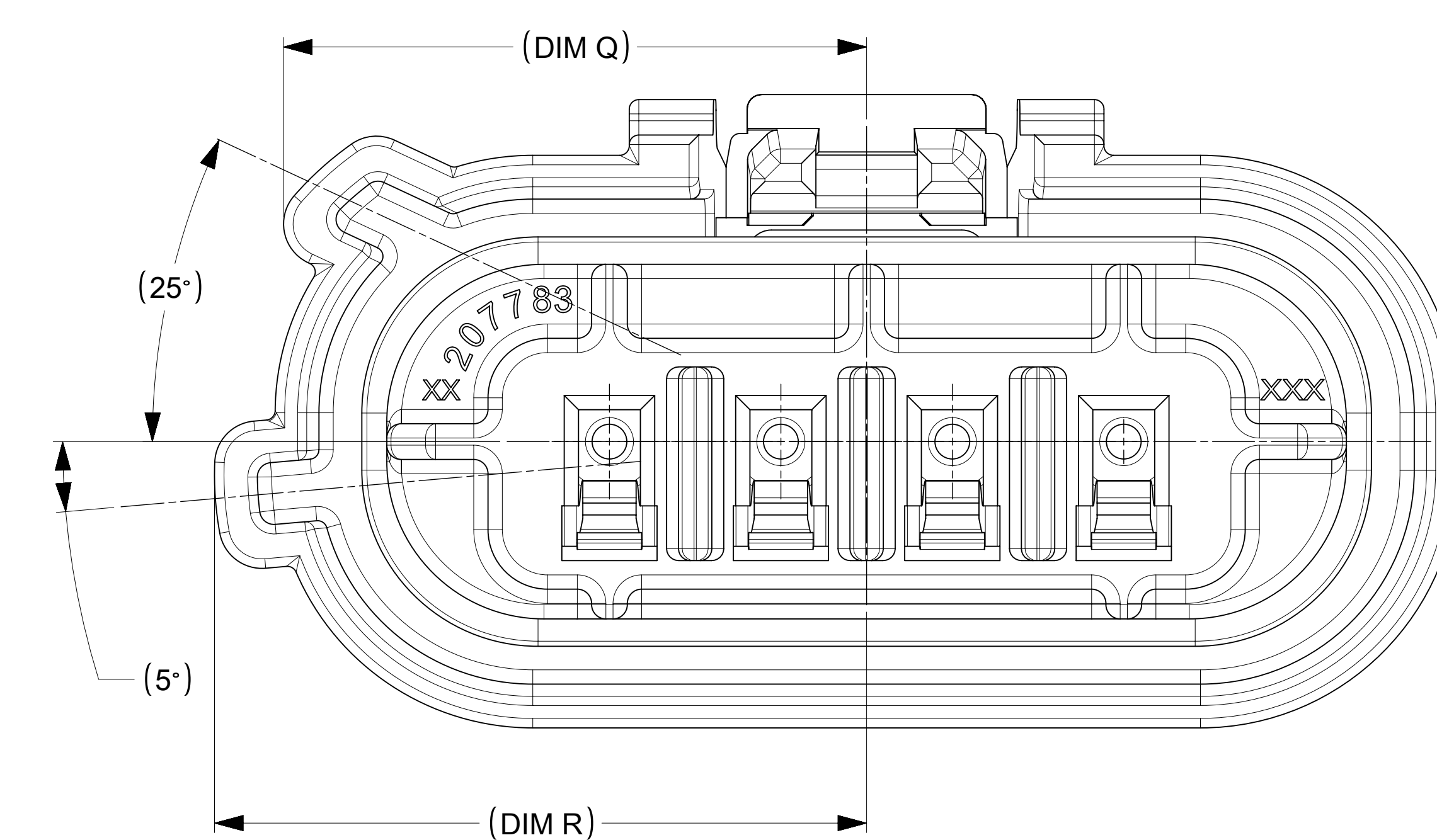
KEY D, YELLOW COLOR



KEY E, BROWN COLOR



KEY F, ORANGE COLOR



CHARTED DIMENSIONS												
KEYS	KEY A RED		KEY B NATURAL		KEY C GRAY		KEY D YELLOW		KEY E BROWN		KEY F ORANGE	
DIMENSIONS	G	H	I	J	K	L	M	N	O	P	Q	R
CKT 2	9.80	9.80	9.43	9.80	10.09	9.80	9.43	9.80	10.09	9.80	9.43	10.09
CKT 3	11.37	11.37	10.91	11.37	11.89	11.37	10.91	11.37	11.89	11.37	10.91	11.89
CKT 4	12.89	12.89	12.24	12.89	13.69	12.89	12.24	12.89	13.69	12.89	12.24	13.69

NOTE: KEY CONFIGURATIONS WILL REMAINS SAME IN 2 & 3 CKT.

FUNCTIONAL SYMBOLS FA = 0 FE = 0 FB = 0	THIS DRAWING CONTAINS INFORMATION THAT IS PROPRIETARY TO MOLEX ELECTRONIC TECHNOLOGIES, LLC AND SHOULD NOT BE USED WITHOUT WRITTEN PERMISSION		molex RECEPTACLE ASSEMBLY SQUBA 3.6			
	DIMENSION UNITS	SCALE				
	mm	1:1	GENERAL TOLERANCES (UNLESS SPECIFIED)		EC NO: 760095 DRWN: GOOLAM CHK'D: GOOLAM APPR: MRAMAKRISHNA	
	ANGULAR TOL ± °		4 PLACES ±		2023/08/02 2023/08/18 2023/08/18	
DIVISIONAL SYMBOLS 3 PLACES ± 2 PLACES ± 0.2 1 PLACE ± 0.25 0 PLACES ±	DRAFT WHERE APPLICABLE MUST REMAIN WITHIN DIMENSIONS		THIRD ANGLE PROJECTION		INITIAL REVISION: DRWN: MUM APPR: NCSR	
	E-SIZE		SERIES		2019/01/30 2019/07/03	
	207782		MATERIAL NUMBER		2077820000-SD PSD 000 D3	
	SEE TABLE		CUSTOMER		GENERAL MARKET SHEET NUMBER	
3 OF 4						

