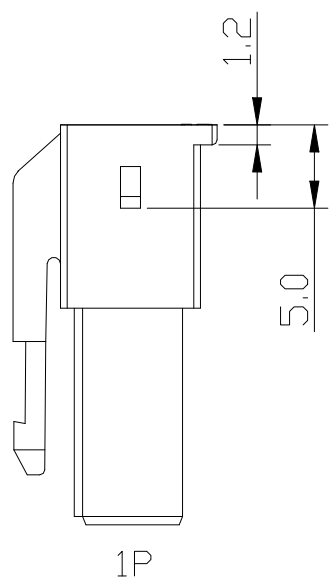
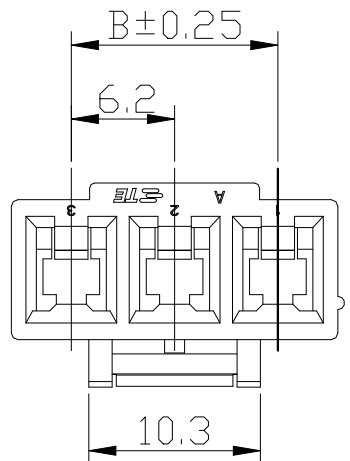
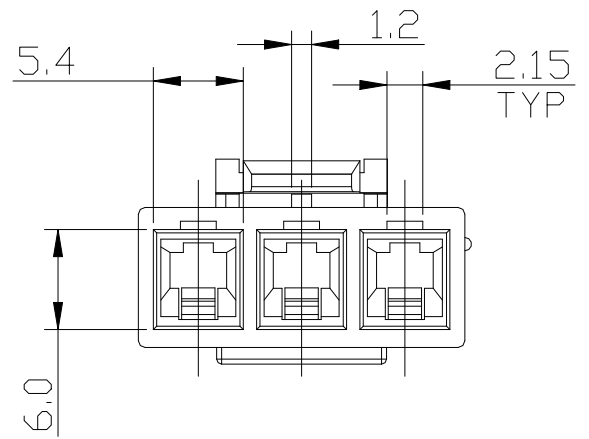
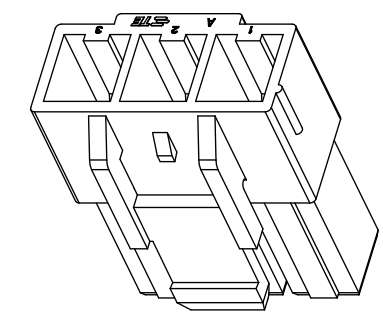
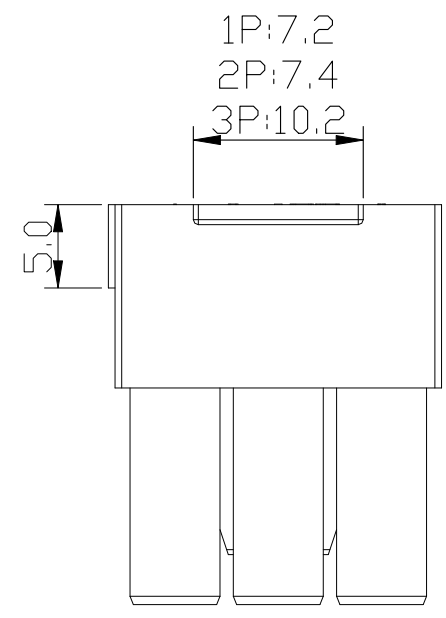
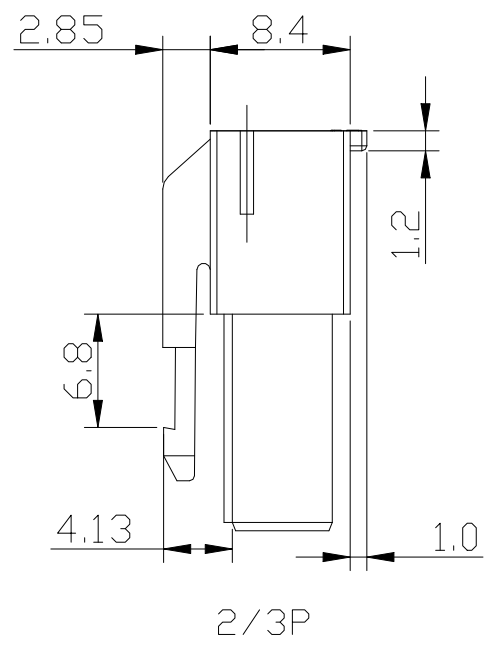
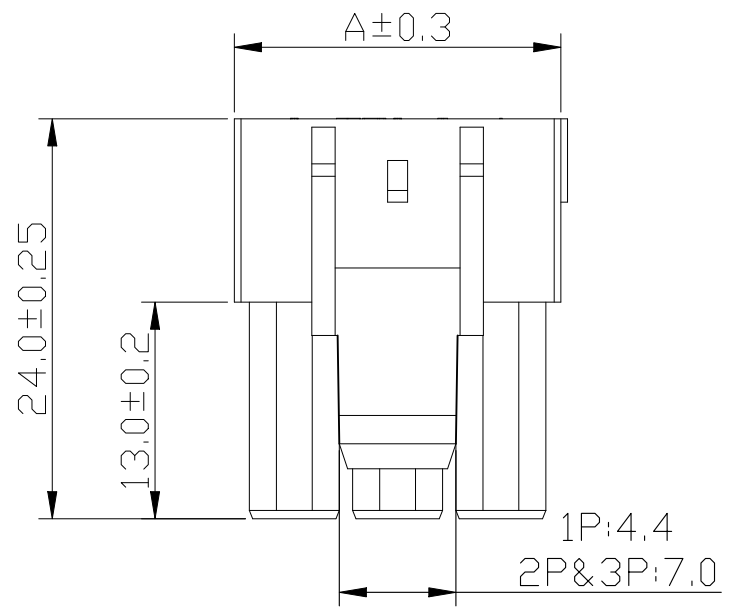


REVISIONS					
P	LTR	DESCRIPTION	DATE	DWN	APVD
	A	RELEASED	12JUL2023	C.K	H.L



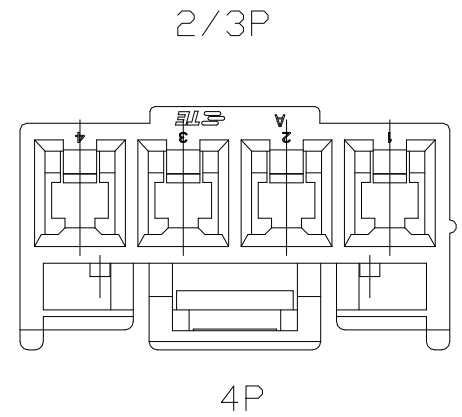
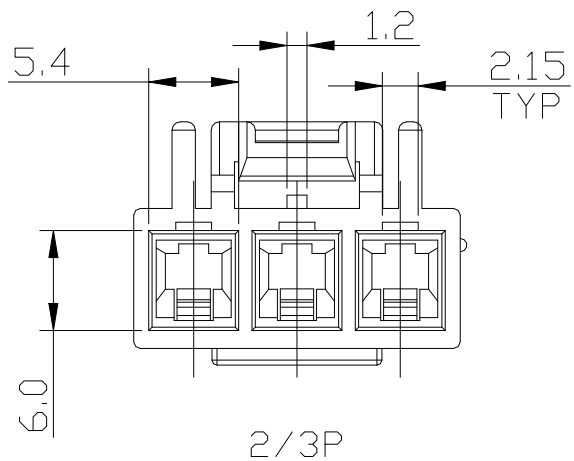
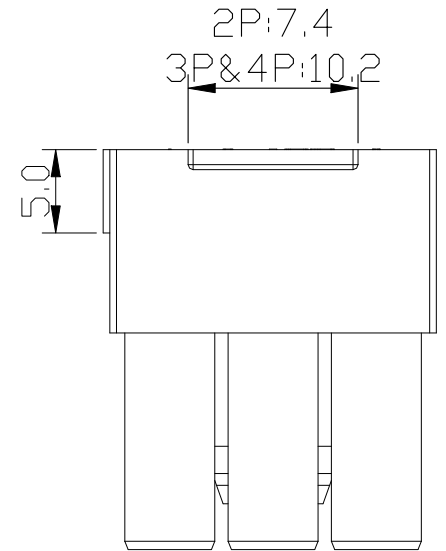
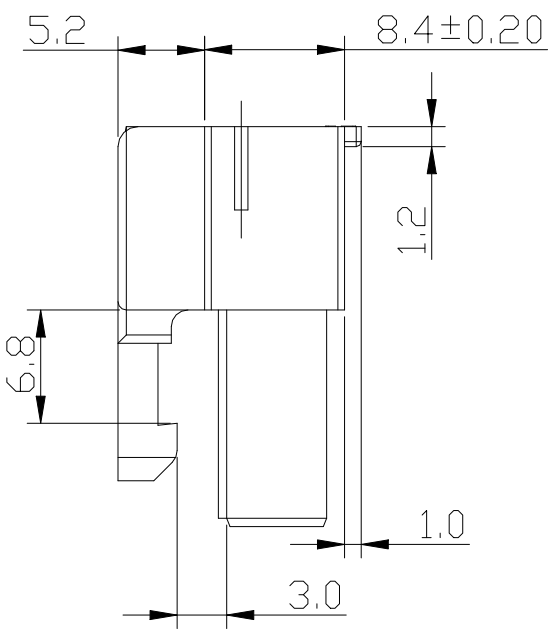
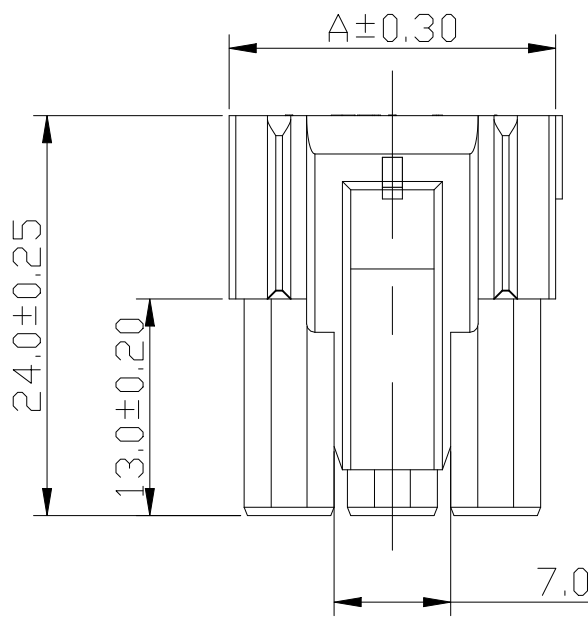
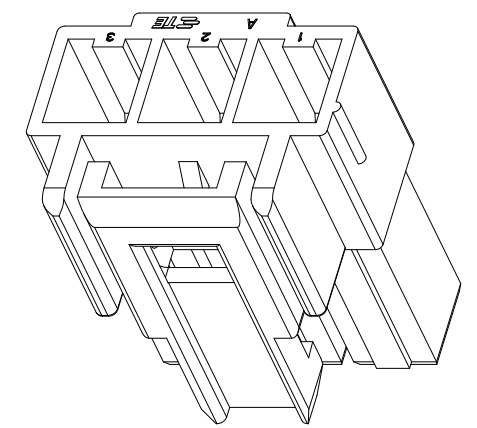
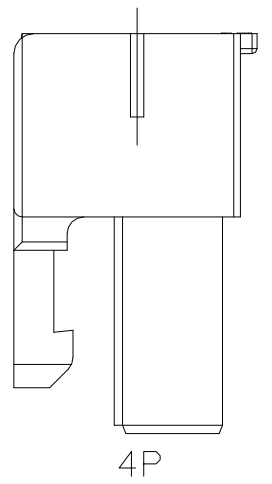
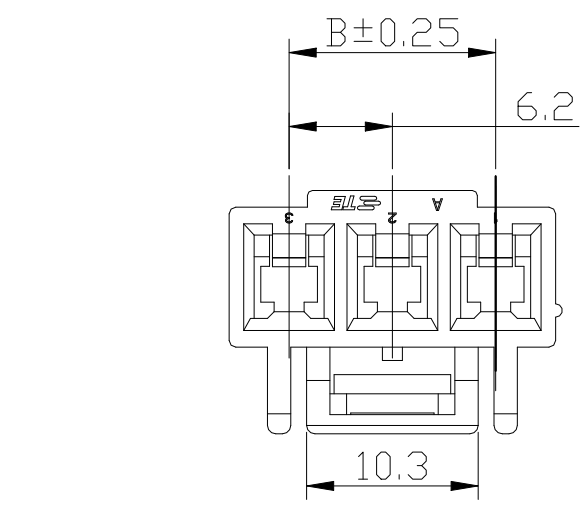
- NOTES:
- MATERIAL: THERMOPLASTIC UL94V-0, COLOR: SEE BELOW TABLE.
 - MATERIAL/PARTS WHICH ARE CONTAINED THE PROHIBITION SUBSTANCE FOR ENVIRONMENT RELATED SUBSTANCE CONTROL STANDARD EN-022 (ENVIRONMENT RELATED SUBSTANCE) MUST NOT USE IN PRODUCT AND MANUFACTURING PROCESS.
 - COMPATIBLE CONTACT: 2408840-X.
 - MATING PARTS: X-2408818-X.



COLOUR	DIM. B	DIM. A	LOCK TYPE	POS	P/N
BLUE	12.40	19.60	INNER	3	5-2408780-3
RED					1-2408780-3
WHITE					2408780-3
BLUE	6.20	13.40	INNER	2	5-2408780-2
RED					1-2408780-2
WHITE					2408780-2
BLUE	-	7.20	INNER	1	5-2408780-1
RED					1-2408780-1
WHITE					2408780-1

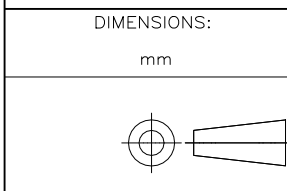
THIS DRAWING IS A CONTROLLED DOCUMENT.		DWN TOMMY QIAN 24FEB2022	TE Connectivity Ltd.		
DIMENSIONS: mm		CHK NIKI SHI 24FEB2022			
TOLERANCES UNLESS OTHERWISE SPECIFIED:		APVD NIKI SHI 24FEB2022	NAME HCI 6.2 PITCH WTW PLUG HOUSING		
0 PLC ± - 1 PLC ± 0.30 2 PLC ± 0.20 3 PLC ± - 4 PLC ± - ANGLES ± 5°		PRODUCT SPEC 108-115190	-		
MATERIAL		APPLICATION SPEC 114-115045	SIZE A3	CAGE CODE 00779	DRAWING NO C-2408780
NOTE 1		FINISH N/A	WEIGHT -	RESTRICTED TO -	
CUSTOMER DRAWING			SCALE N.T.S	SHEET 1 OF 6	REV A

P	LTR	DESCRIPTION	DATE	DWN	APVD
-	-	SEE SHEET 1	-	-	-



COLOUR	DIM. B	DIM. A	LOCK TYPE	POS	P/N
BLUE	18.60	25.80	OUTER	4	7-2408780-4
RED					6-2408780-4
WHITE					3-2408780-4
BLUE	12.40	19.60	OUTER	3	7-2408780-3
RED					6-2408780-3
WHITE					3-2408780-3
BLUE	6.20	13.40	OUTER	2	7-2408780-2
RED					6-2408780-2
WHITE					3-2408780-2

THIS DRAWING IS A CONTROLLED DOCUMENT.



DIMENSIONS:	TOLERANCES UNLESS OTHERWISE SPECIFIED:
mm	
0 PLC	± -
1 PLC	± 0.30
2 PLC	± 0.20
3 PLC	± -
4 PLC	± -
ANGLES	± 5°

MATERIAL - FINISH -

DWN	24FEB2022
TOMMY QIAN	
CHK	24FEB2022
NIKI SHI	
APVD	24FEB2022
NIKI SHI	
PRODUCT SPEC	
-	
APPLICATION SPEC	
-	
WEIGHT	-

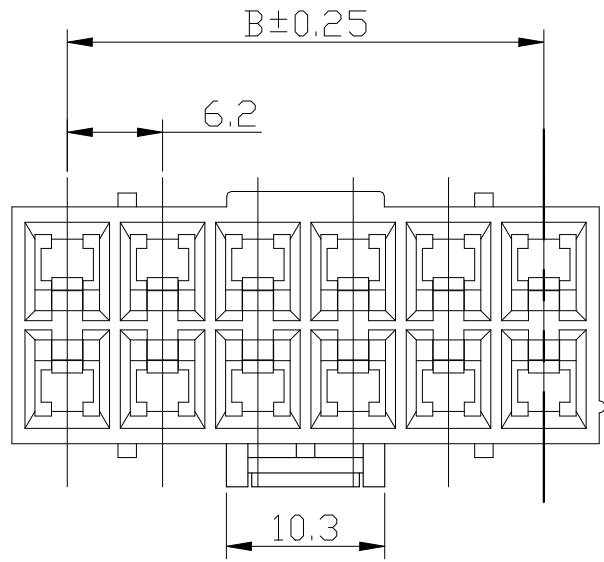


HCI 6.2P WTW PLUG HOUSING

SIZE	CAGE CODE	DRAWING NO	RESTRICTED TO
A3	00779	C-2408780	-

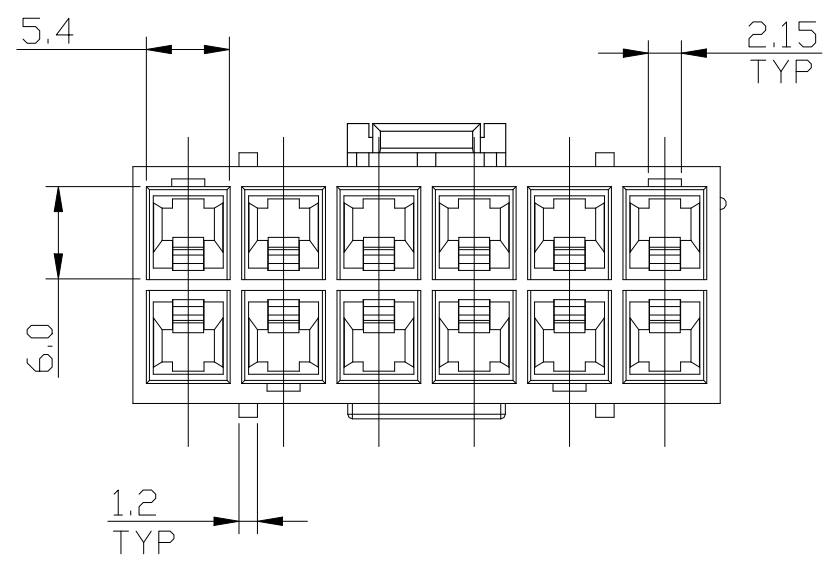
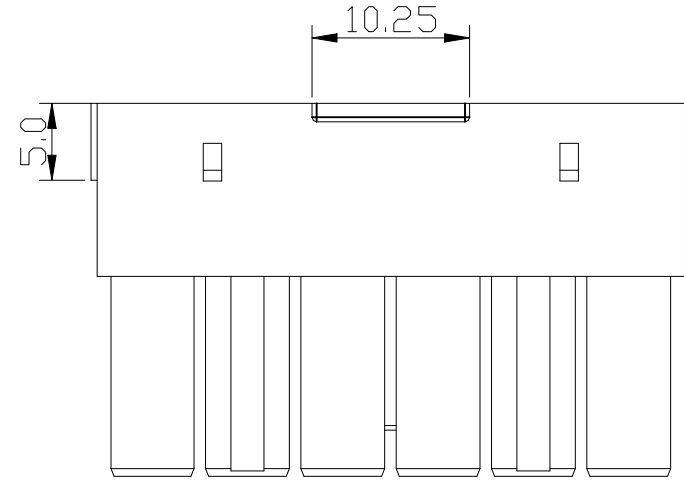
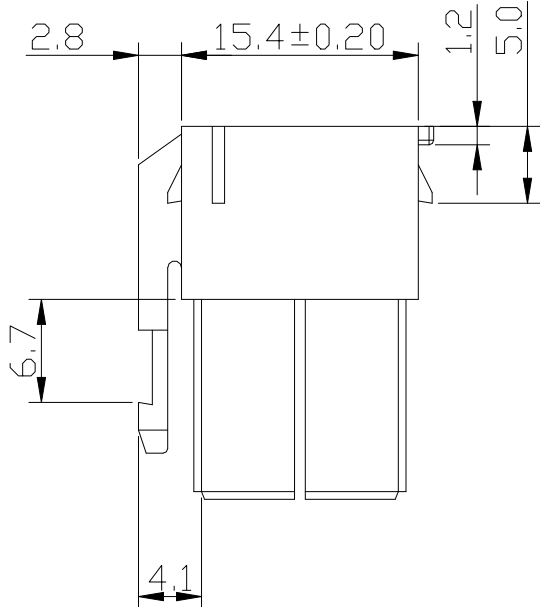
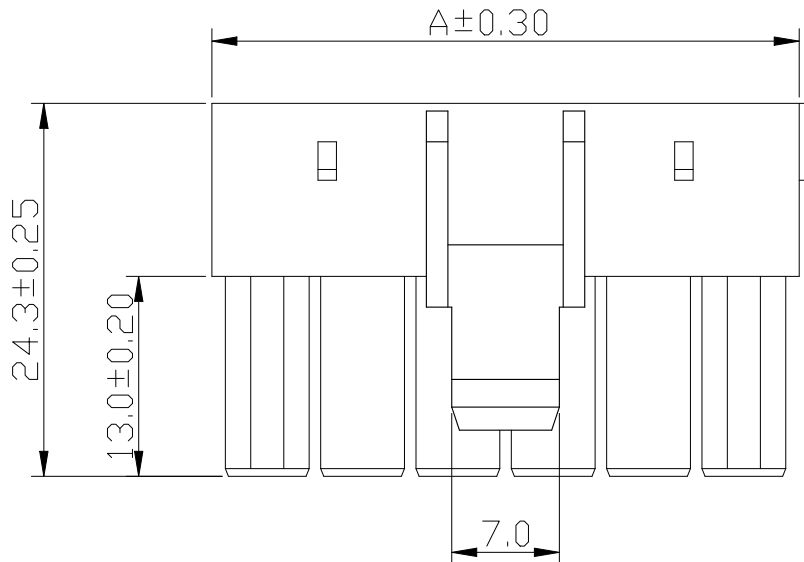
CUSTOMER DRAWING SCALE N.T.S SHEET 2 OF 6 REV A


P	LTR	DESCRIPTION	DATE	DWN	APVD
-	-	SEE SHEET 1	-	-	-



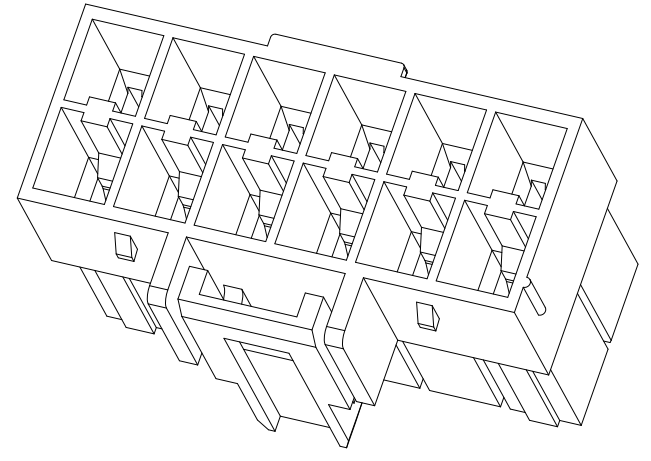
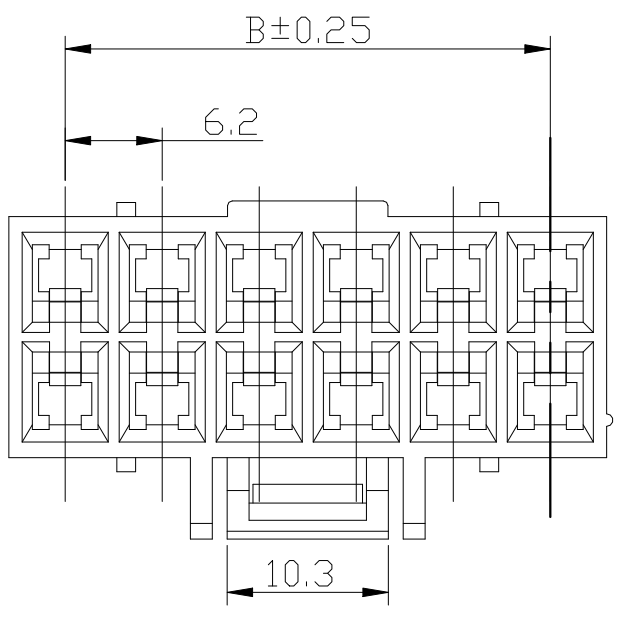
TOOLING NOT AVAILABLE

BLUE					9-2408780-8
RED	31.00	38.20	INNER	2X6	8-2408780-8
WHITE					4-2408780-6
BLUE					9-2408780-7
RED	18.60	25.80	INNER	2X4	8-2408780-7
WHITE					4-2408780-4
BLUE					9-2408780-1
RED	12.40	19.60	INNER	2X3	8-2408780-1
WHITE					4-2408780-3
BLUE					9-2408780-0
RED	6.20	13.40	INNER	2X2	8-2408780-0
WHITE					4-2408780-2
COLOUR	DIM. B	DIM. A	LOCK TYPE	POS	P/N

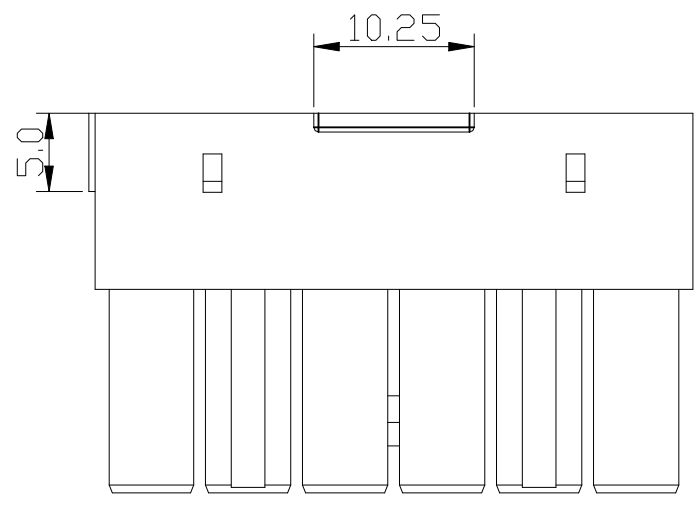
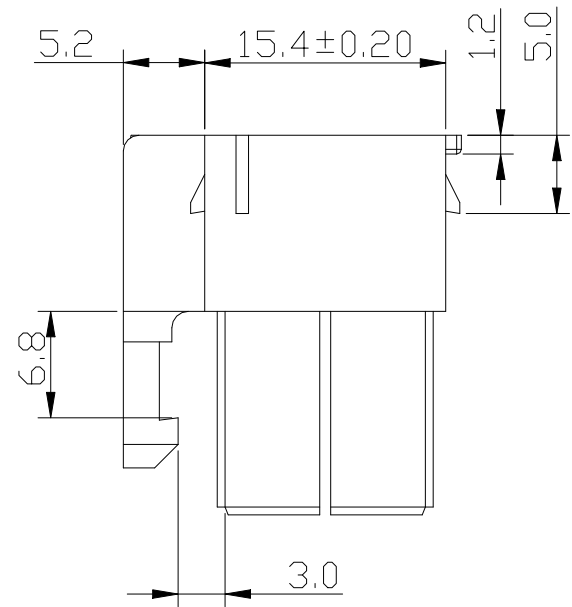
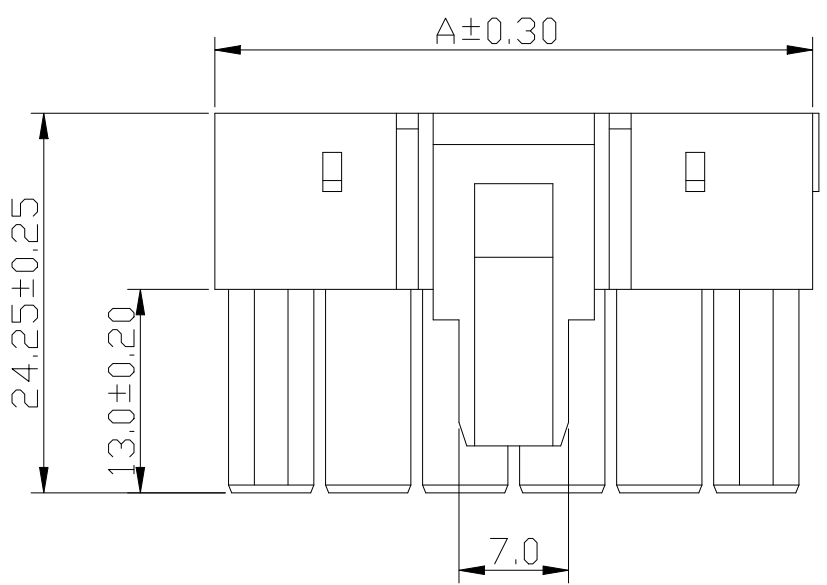


THIS DRAWING IS A CONTROLLED DOCUMENT.		DWN TOMMY QIAN 24FEB2022	 TE Connectivity Ltd.			
DIMENSIONS: mm		CHK NIKI SHI 24FEB2022				
TOLERANCES UNLESS OTHERWISE SPECIFIED:		APVD NIKI SHI 24FEB2022	NAME HCI 6.2P WTW PLUG HOUSING			
0 PLC ± - 1 PLC ± 0.30 2 PLC ± 0.20 3 PLC ± - 4 PLC ± - ANGLES ± 5°		PRODUCT SPEC -	APPLICATION SPEC -			
MATERIAL -		FINISH -	SIZE A3	CAGE CODE 00779	DRAWING NO C-2408780	RESTRICTED TO -
CUSTOMER DRAWING			SCALE N.T.S	SHEET 3 of 6	REV A	

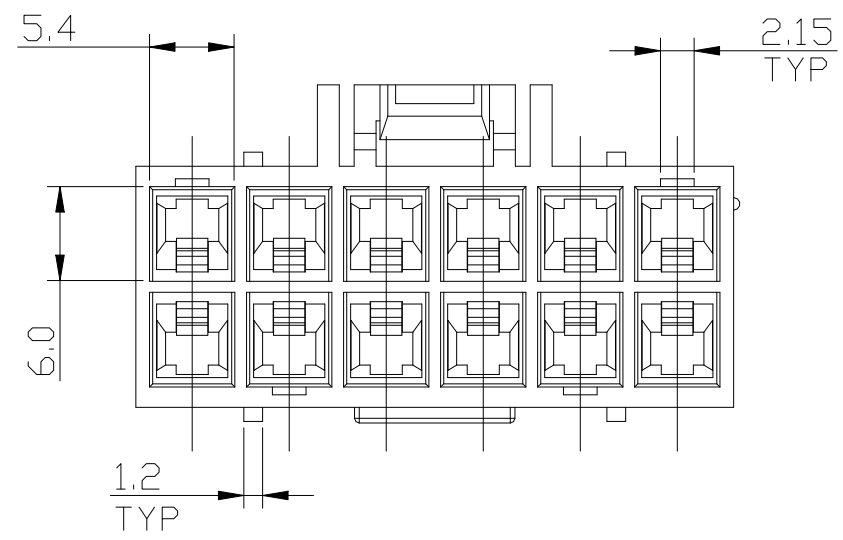
P	LTR	DESCRIPTION	DATE	DWN	APVD
-	-	SEE SHEET 1	-	-	-




COLOUR	DIM. B	DIM. A	LOCK TYPE	POS	P/N
BLUE					9-2408780-6
RED	31.00	38.20	OUTER	2X6	8-2408780-6
WHITE					2-2408780-6
BLUE					9-2408780-4
RED	18.60	25.80	OUTER	2X4	8-2408780-4
WHITE					2-2408780-4
BLUE					9-2408780-3
RED	12.40	19.60	OUTER	2X3	8-2408780-3
WHITE					2-2408780-3
BLUE					9-2408780-2
RED	6.20	13.40	OUTER	2X2	8-2408780-2
WHITE					2-2408780-2

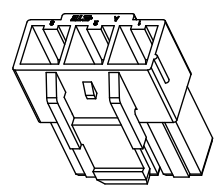


TOOLING NOT AVAILABLE



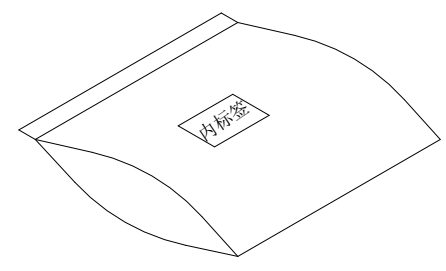
THIS DRAWING IS A CONTROLLED DOCUMENT.		DWN TOMMY QIAN 24FEB2022	 TE Connectivity Ltd.			
DIMENSIONS: mm		CHK NIKI SHI 24FEB2022				
TOLERANCES UNLESS OTHERWISE SPECIFIED:		APVD NIKI SHI 24FEB2022	NAME HCI 6.2P WTW PLUG HOUSING			
0 PLC ± - 1 PLC ± 0.30 2 PLC ± 0.20 3 PLC ± - 4 PLC ± - ANGLES ± 5°		PRODUCT SPEC -	APPLICATION SPEC -			
MATERIAL -		FINISH -	SIZE A3	CAGE CODE 00779	DRAWING NO C-2408780	RESTRICTED TO -
CUSTOMER DRAWING			SCALE N.T.S	SHEET 4 OF 6	REV A	

REVISIONS					
P	LTR	DESCRIPTION	DATE	DWN	APVD
	-	SEE SHEET 1	-	-	-

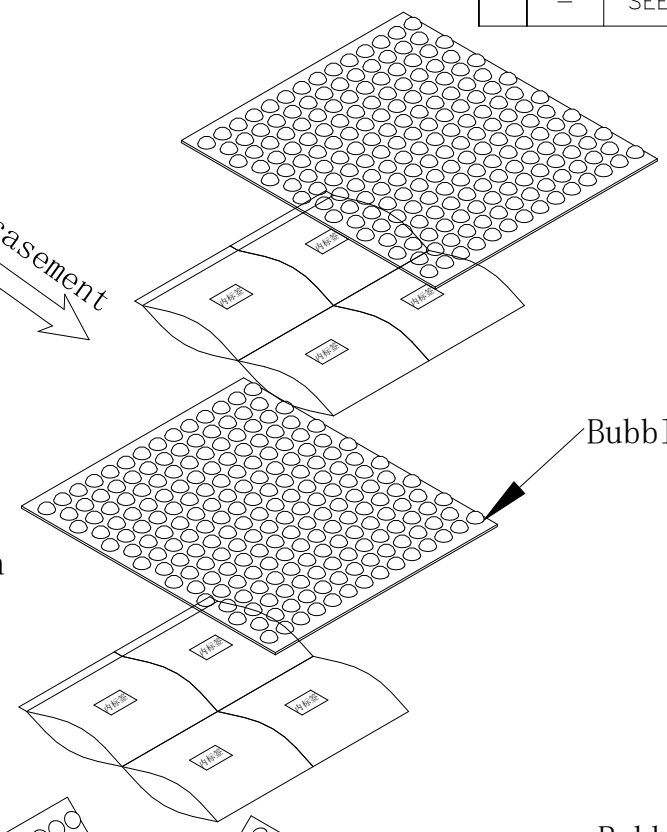


Product

Into PE bag



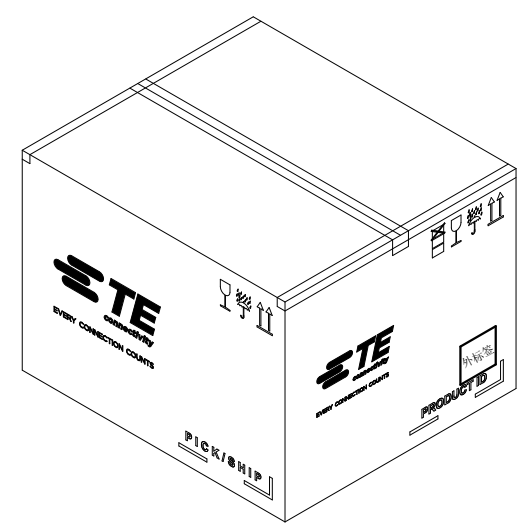
Encasement



Bubble wrap

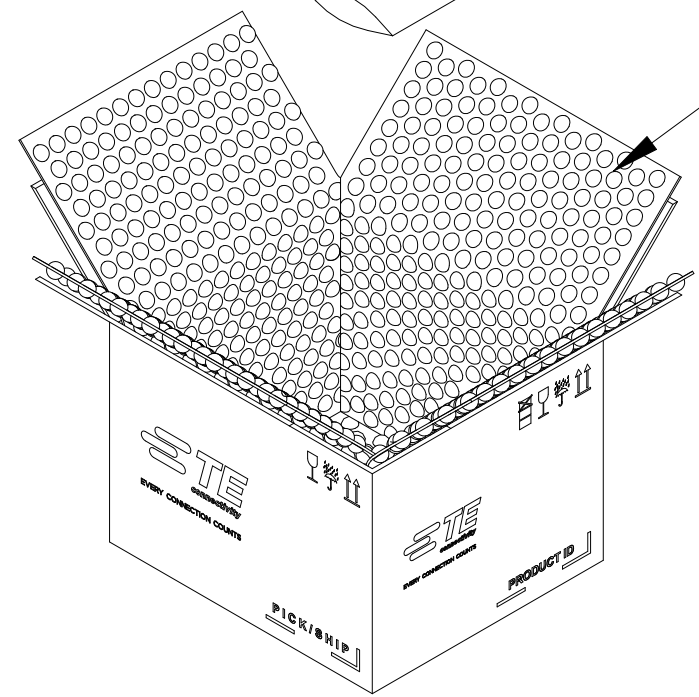
Bubble wrap
(Put two on top of each other)

- PE bag (25*25cm)
- 1、 Into PE bag
 - 2、 The outer packing should be labeled within
 - 3、 Each bag into a desiccant



1、 Label the outer box

Seal the box




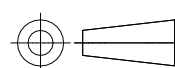
- Box (40*35*30cm)
- 1、 The outer box is stacked with two bubbles around and on the bottom
 - 2、 Put four bags in each layer and add a layer of bubble wrap on top of each four bags
 - 3、 If the top layer of foam is free, fill it with filler

THIS DRAWING IS A CONTROLLED DOCUMENT.		DWN	24FEB2022		TE Connectivity Ltd.	
		CHK	24FEB2022			
		APVD	24FEB2022		NAME	
		PRODUCT SPEC		HCI 6.2 PITCH WTW PLUG HOUSING		
		APPLICATION SPEC		-		
		WEIGHT		-		
		CUSTOMER DRAWING		SCALE	N.T.S	
		SHEET		5 of 6		REV
		A3		00779		A
		DRAWING NO		C-2408780		
		RESTRICTED TO		-		
DIMENSIONS:		TOLERANCES UNLESS OTHERWISE SPECIFIED:				
mm						
		0 PLC	± -			
		1 PLC	± 0.30			
		2 PLC	± 0.20			
		3 PLC	± -			
		4 PLC	± -			
MATERIAL		FINISH				
-		N/A				

REVISIONS

P	LTR	DESCRIPTION	DATE	DWN	APVD
-	-	SEE SHEET 1	-	-	-

PART NO	POS	INNER PACKING	Q' TY (PCS)	CARTON	Q' TY (PCS)
2408780-1 1-2408780-1 5-2408780-1	1P	PE BAG (25X25X0.008)	500	(40X35X30cm)	8000
2408780-2 1-2408780-2 5-2408780-2	2P	PE BAG (25X25X0.008)	350	(40X35X30cm)	5600
2408780-3 1-2408780-3 5-2408780-3	3P	PE BAG (25X25X0.008)	250	(40X35X30cm)	4000
3-2408780-2 6-2408780-2 7-2408780-2	2P	PE BAG (25X25X0.008)	300	(40X35X30cm)	4800
3-2408780-3 6-2408780-3 7-2408780-3	3P	PE BAG (25X25X0.008)	200	(40X35X30cm)	3200
3-2408780-4 6-2408780-4 7-2408780-4	4P	PE BAG (25X25X0.008)	150	(40X35X30cm)	2400

THIS DRAWING IS A CONTROLLED DOCUMENT.		DWN TOMMY QIAN 24FEB2022	 TE Connectivity Ltd.	
		CHK NIKI SHI 24FEB2022		
DIMENSIONS: mm		TOLERANCES UNLESS OTHERWISE SPECIFIED: 0 PLC ± - 1 PLC ± 0.30 2 PLC ± 0.20 3 PLC ± - 4 PLC ± - ANGLES ± 5°		APVD NIKI SHI 24FEB2022 NAME HCI 6.2 PITCH WTW PLUG HOUSING
		PRODUCT SPEC 108-115190		APPLICATION SPEC 114-115045
MATERIAL -		FINISH N/A		WEIGHT -
		SIZE A3	CAGE CODE 00779	DRAWING NO C-2408780
CUSTOMER DRAWING			RESTRICTED TO -	SCALE N.T.S.
			SHEET 6 OF 6	REV A