

2071566-1 ✓ ACTIVE

SCHRACK | SCHRACK Accessories Miniature Relay PT

TE Internal #: 2071566-1

Relay Accessories, Sockets & Clips, DIN Rail Mount, Polycarbonate,
DIN Rail, 4, Socket / DIN Rail Socket, SCHRACK Accessories
Miniature Relay PT

[View on TE.com >](#)



Relays & Contactors > Relays > Relay Accessories, Sockets & Clips



Relay Socket Type: DIN Rail Mount

Body Material: Polycarbonate

Product Mount Type: DIN Rail

Pole Configuration: 4

Relay Accessory Type: DIN Rail Socket, Socket

Features

Product Type Features

Relay Accessory Type	DIN Rail Socket, Socket
----------------------	-------------------------

Body Features

Body Material	Polycarbonate
---------------	---------------

Contact Features

Relay Socket Type	DIN Rail Mount
-------------------	----------------

Pole Configuration	4
--------------------	---

Mechanical Attachment

Product Mounting Feature Type	Snap-On
-------------------------------	---------

Product Mount Type	DIN Rail
--------------------	----------

Product Compliance

[For compliance documentation, visit the product page on TE.com>](#)

EU RoHS Directive 2011/65/EU	Compliant
------------------------------	-----------



EU ELV Directive 2000/53/EC	Compliant
China RoHS 2 Directive MIIT Order No 32, 2016	No Restricted Materials Above Threshold
EU REACH Regulation (EC) No. 1907/2006	Current ECHA Candidate List: JAN 2024 (240) Candidate List Declared Against: JUNE 2022 (224) Does not contain REACH SVHC
Halogen Content	Low Halogen - Br, Cl, F, I < 900 ppm per homogenous material. Also BFR/CFR/PVC Free
Solder Process Capability	Not applicable for solder process capability

Product Compliance Disclaimer

This information is provided based on reasonable inquiry of our suppliers and represents our current actual knowledge based on the information they provided. This information is subject to change. The part numbers that TE has identified as EU RoHS compliant have a maximum concentration of 0.1% by weight in homogenous materials for lead, hexavalent chromium, mercury, PBB, PBDE, DBP, BBP, DEHP, DIBP, and 0.01% for cadmium, or qualify for an exemption to these limits as defined in the Annexes of Directive 2011/65/EU (RoHS2). Finished electrical and electronic equipment products will be CE marked as required by Directive 2011/65/EU. Components may not be CE marked. Additionally, the part numbers that TE has identified as EU ELV compliant have a maximum concentration of 0.1% by weight in homogenous materials for lead, hexavalent chromium, and mercury, and 0.01% for cadmium, or qualify for an exemption to these limits as defined in the Annexes of Directive 2000/53/EC (ELV). Regarding the REACH Regulation, the information TE provides on SVHC in articles for this part number is based on the latest European Chemicals Agency (ECHA) 'Guidance on requirements for substances in articles' posted at this URL: <https://echa.europa.eu/guidance-documents/guidance-on-reach>

Compatible Parts

 <p>TE Part # 5-1415026-1 PT580L24</p>	 <p>TE Part # 9-1419111-0 PT570615</p>	 <p>TE Part # 9-1419111-8 PT571730</p>	 <p>TE Part # 9-1419111-3 PT571024</p>
 <p>TE Part # 7-1415001-1 PT570R24</p>	 <p>TE Part # 1-1393154-2 PT570024</p>	 <p>TE Part # 8-1419111-7 PT570524</p>	 <p>TE Part # 9-1419111-1 PT570730</p>




TE Part # 7-1415541-0
PT570LC4



TE Part # 8-1415001-1
PT570T30



TE Part # 6-1415001-1
PT570L24



TE Part # 7-1415003-1
PT570S15



TE Part # 2071566-7
PT28D00



TE Part # 2071566-9
PT28D01



TE Part # 2-1393154-2
PT580730



TE Part # 7-1415026-1
PT580T30



TE Part # 1-1393154-7
PT580024



TE Part # 9-1419111-6
PT571524




TE Part # 7-1419135-2
PT581024



TE Part # 6-1415026-1
PT580R24

Also in the Series | **SCHRACK Accessories Miniature Relay PT**



Relay Accessories, Sockets & Clips(54)

Customers Also Bought



TE Part # 206038-1
CPC RECPT ASSEMBLY SIZE 17-28



TE Part # 1827572-2
DYNAMIC D1000 REC CONT 2L AU
0.38um FORM



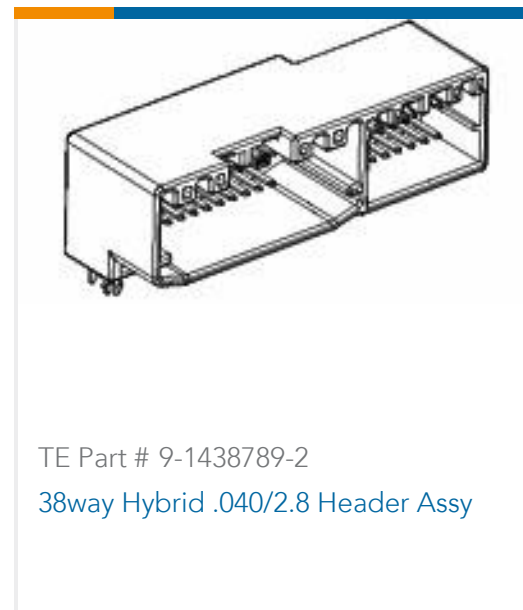
TE Part # T2040062101-000
HE-006-M



TE Part # T2030001025-000
CEM-2.5



TE Part # 61407-3
187 FASTON TPBR



TE Part # 9-1438789-2
38way Hybrid .040/2.8 Header Assy



TE Part # 2071566-3
PT78C2P



TE Part # T1310060120-000
H6B-TS-M20



TE Part # 1SNL605010R0000
C2.5/5

Documents

Product Drawings

PT78C4P

English

CAD Files

Customer View Model

[ENG_CVM_CVM_2071566-1_1.3d_stp.zip](#)

English

Customer View Model

[ENG_CVM_CVM_2071566-1_1.2d_dxf.zip](#)

English

Customer View Model

[ENG_CVM_CVM_2071566-1_1.3d_igs.zip](#)

English

3D PDF

3D

By downloading the CAD file I accept and agree to the [Terms and Conditions](#) of use.

Datasheets & Catalog Pages

ACCESSORIES FOR MINIATURE RELAY PT

English

Agency Approvals

CE Declaration of Conformity

English