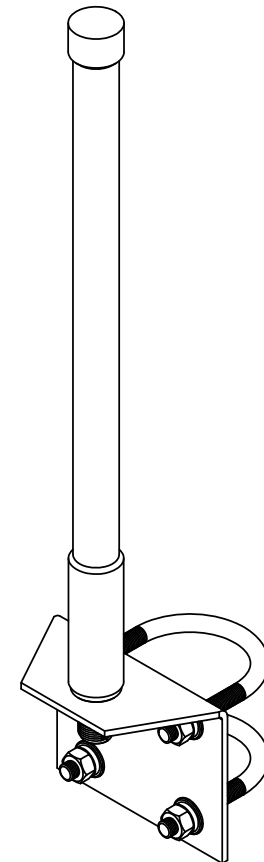
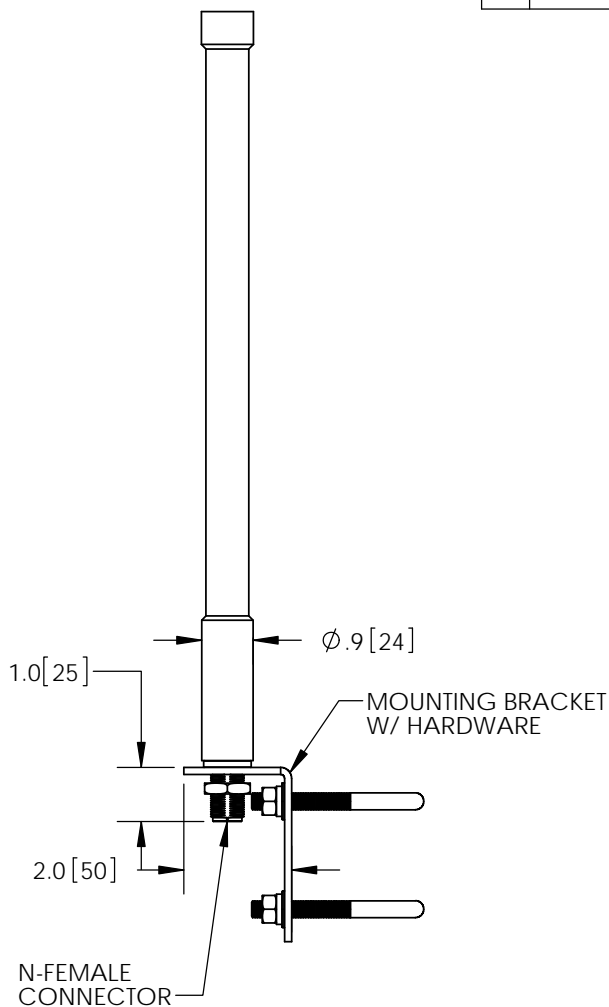
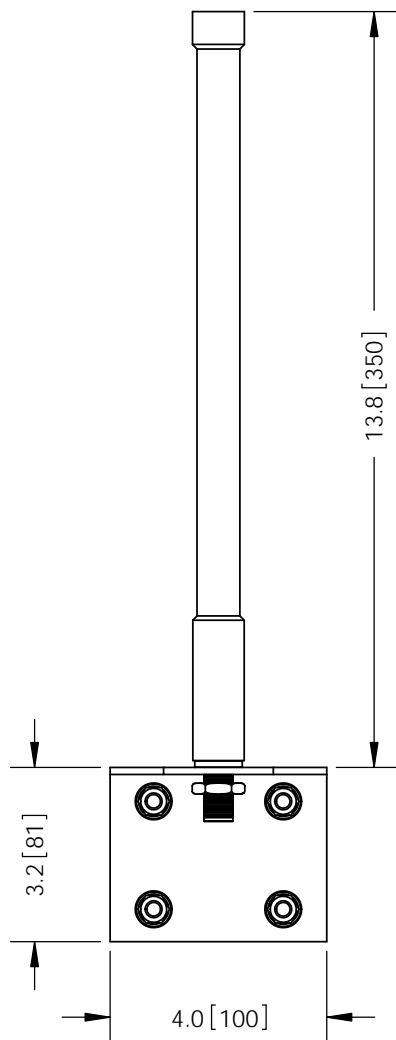


THE INFORMATION CONTAINED IN THIS DRAWING IS THE SOLE PROPERTY OF L-COM, INC. ANY REPRODUCTION IN PART OR WHOLE WITHOUT THE WRITTEN PERMISSION OF L-COM, INC. IS PROHIBITED.

REVISIONS			
REV	DESCRIPTION	DATE	APPROVED
A	INITIAL RELEASE	06/16/10	B.PUCHASKI
B	ECN 4968 13.8 LENGTH WAS 11.91	08/12/10	D.CASTRO
C	ECN 7148 ADD MOUNTING BRACKET, UPDATE FORMAT AND RoHS NOTE	11/13/13	B.PUCHASKI



NOTES:

PACKAGING:
COMPONENT SHALL BE INDIVIDUALLY PACKAGED IN ACCORDANCE WITH L-COM SPECIFICATION PKG-00071

- ALL DIMENSIONS FOR REFERENCE -

REGULATORY COMPLIANCE:
CE2011/65/EU(RoHS DIRECTIVE)

UNLESS OTHERWISE SPECIFIED, DIMENSIONS ARE IN INCHES [mm] DIMENSIONAL TOLERANCES: .X = ±.1 [2.54] .XX = ±.01 [2.5] .XXX = ±.005 [13]	APPROVALS	DATE		45 BEECHWOOD DRIVE NORTH ANDOVER, MA 01845
	DRAWN BY B.PUCHASKI	06/16/10		
ANGULAR TOLERANCES: ALL = ± 1°	CHECKED BY M.AUDAS	06/16/10	CATEGORY ANTENNA	
	APPROVED BY M.AUDAS	06/16/10	PRODUCT DESCRIPTION 2.4GHz 6.5dBi OMNI ANTENNA MINI PRO W/ N-FEMALE CONNECTOR	
PROJECTION 	CONFIGURATION DETAILS OF UNDIMENSIONED FEATURES MAY VARY	COLOR VARIATIONS MAY OCCUR	SIZE A	FSCM NO. 43321
			DWG. NO. HG2407UP-NF	REV. C
			SCALE: NONE	CAD FILE: HG2407UP-NF.SLDDRW
				SHEET 1 OF 1