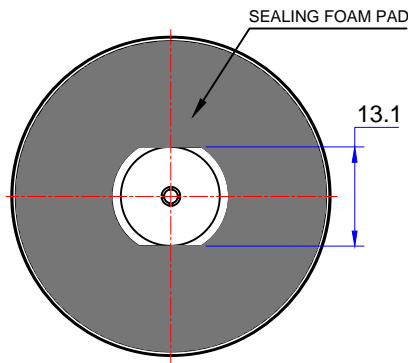


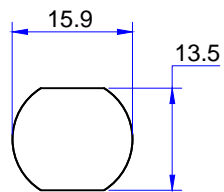
REVISIONS		
REV	ECN	DATE
--	---	----

**NOTES**

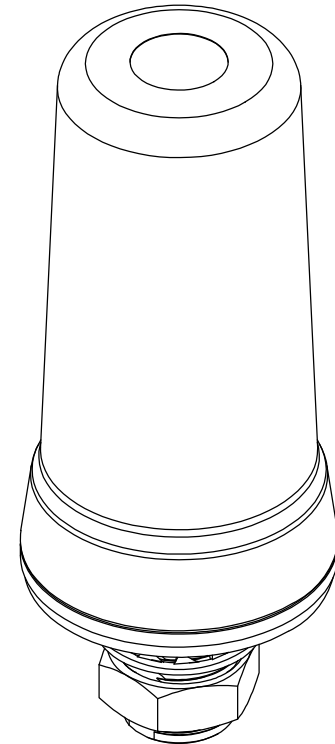
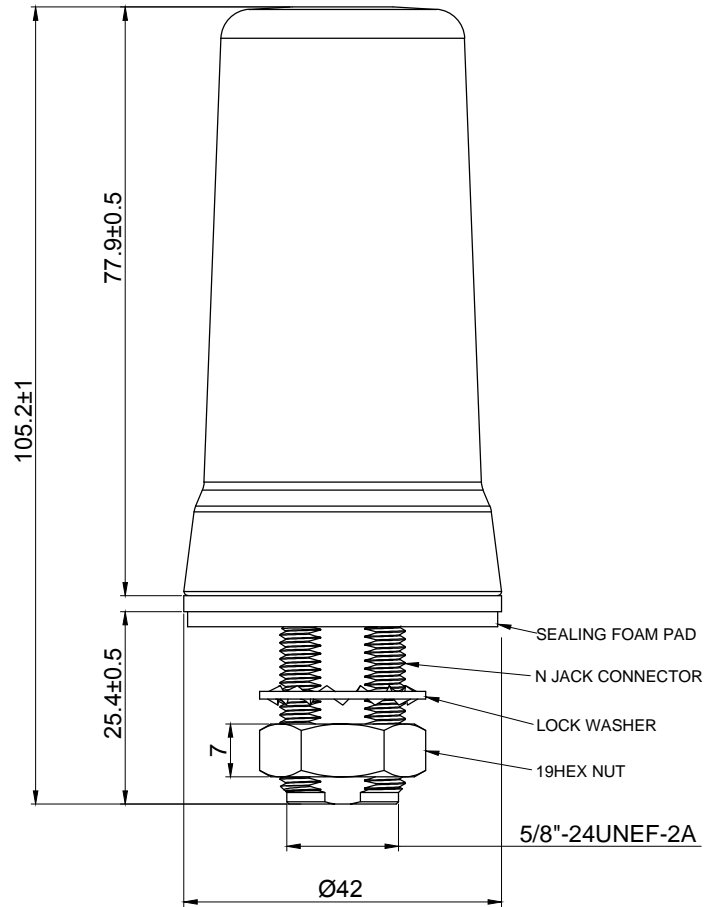
1. RADOME MATERIAL: XENOY™ 1731
2. COLOR: BLACK.
3. FREQUENCY: 824-960/1710-2170 MHz
4. IMPEDANCE: 50Ω
5. VSWR: ≤2.2:1
6. RADIATION: OMNI
7. GAIN: 2dBi
8. POLARIZATION: VERTICAL
9. WEIGHT: 164g
10. OPERATING TEMPERATURE: -40°C~ + 85°C
11. THIS IS A RoHS COMPLIANT PRODUCT



**BOTTOM VIEW**



**MOUNTING HOLE**



TITLE	Multi-Band Low Profile Antenna 824-960/1710-2170MHz	Rev. Date	06/06/16	SHEET	1 OF 1
UNIT	DWG. NO.	W771N-AGDPU			
mm					
SCALE	<b>NEARSON</b>				
none					