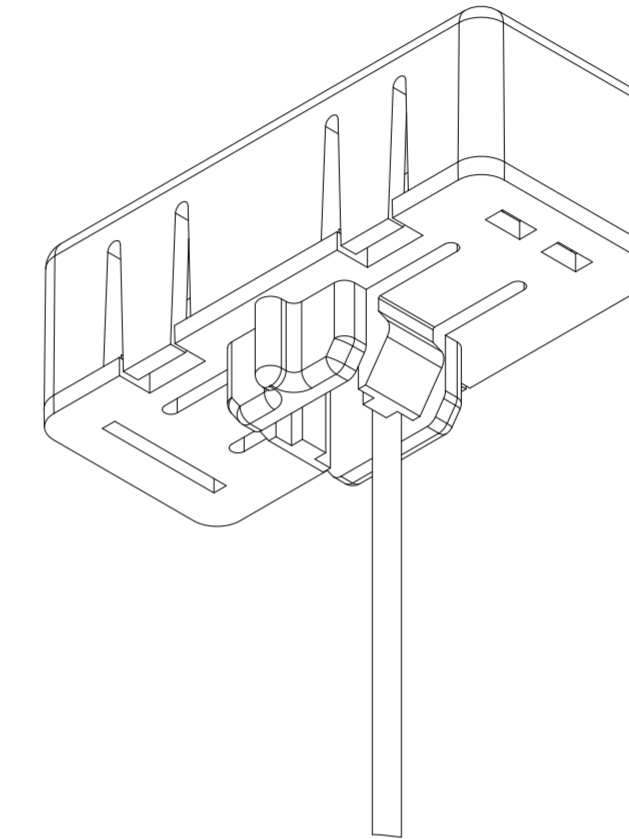
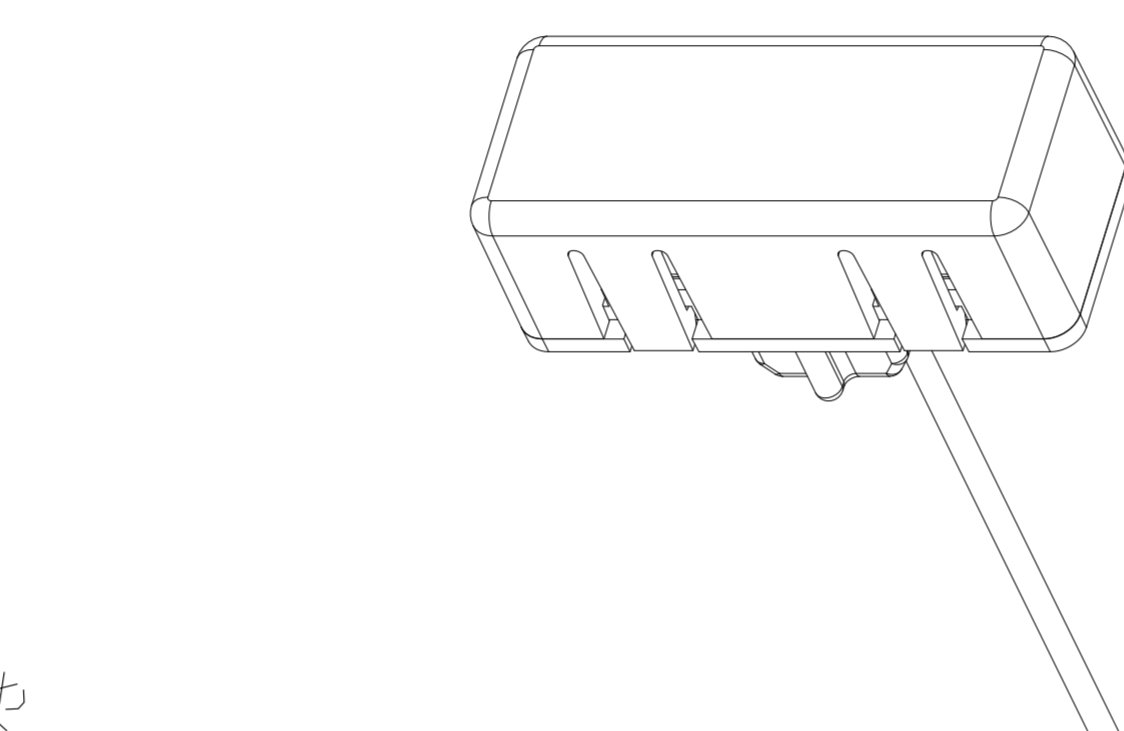
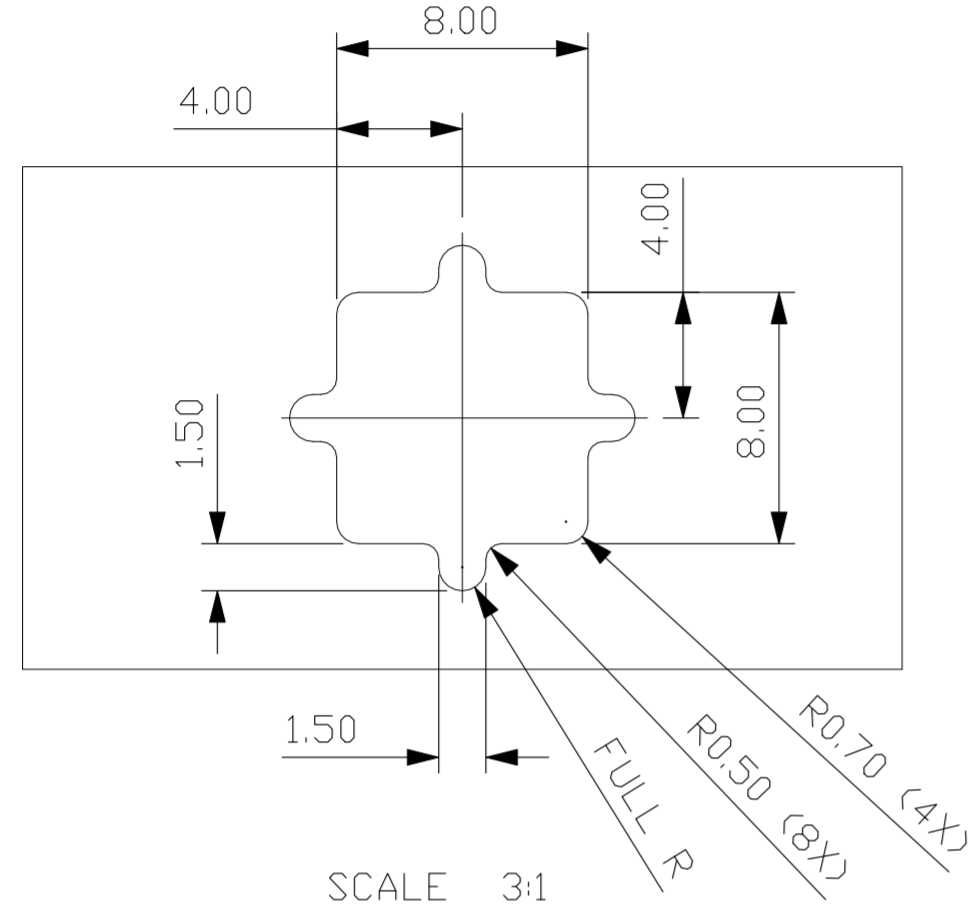


P	LTR	DESCRIPTION	DATE	DWN	APVD
A		GTP ECN-23-212760	15MAY2023	DC	JH

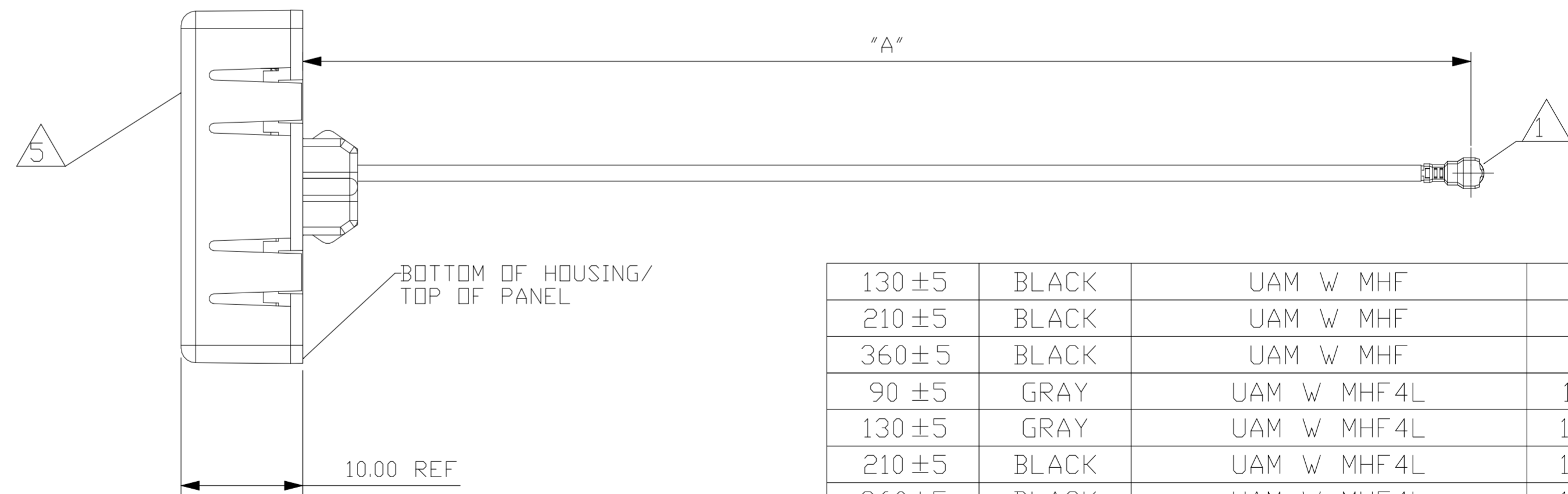
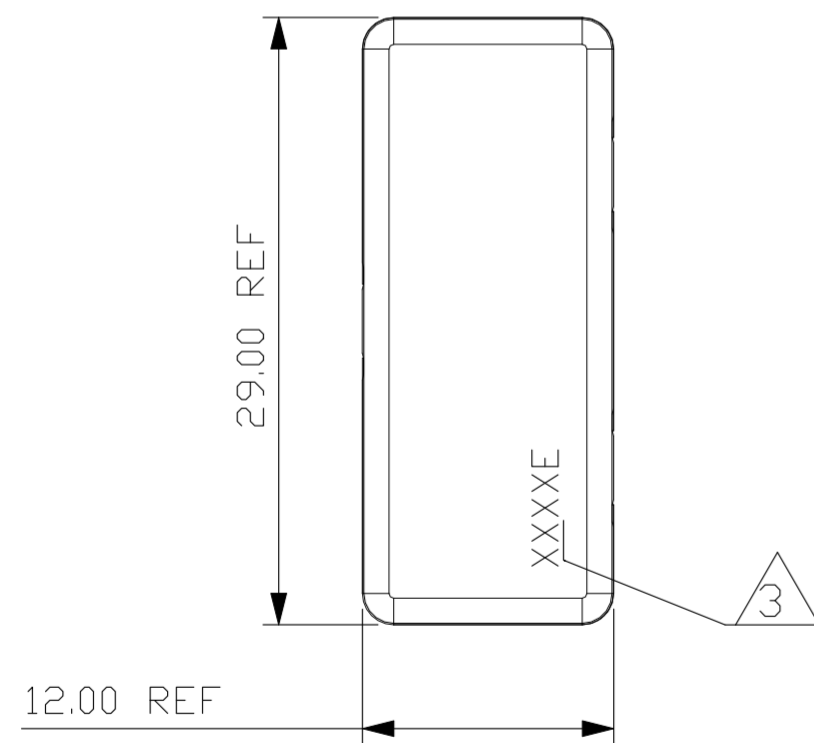
PANEL CUTOUT DIMENSIONS

(Tolerances .XX ±0.10)
0.8mm MAX THICKNESS



NOTES: UNLESS OTHERWISE SPECIFIED.

- 1 MINI COAX CABLE DIAMETER 1.13 mm TERMINATED WITH U.FL CONNECTOR OR MHF4L SEE TABLE.
- 2. PRODUCT AND PROCESSING MEETS REQUIREMENTS OF TE CONNECTIVITY
- 3 ENVIROMENTAL STANDARD TEC-138-702.
- 4 DIGIT DATE CODE. XXXXE



BOTTOM OF HOUSING/
TOP OF PANEL

130 ±5	BLACK	UAM W MHF	2195935-2
210 ±5	BLACK	UAM W MHF	2195935-3
360 ±5	BLACK	UAM W MHF	2195935-4
90 ±5	GRAY	UAM W MHF4L	1-2195935-1
130 ±5	GRAY	UAM W MHF4L	1-2195935-2
210 ±5	BLACK	UAM W MHF4L	1-2195935-3
360 ±5	BLACK	UAM W MHF4L	1-2195935-4
"A"	COLOR	DESCRIPTION CONNECTOR	ASSY P/N

THIS DRAWING IS A CONTROLLED DOCUMENT.		DWN DC HSAING 29JUL2022	TE TE Connectivity	
DIMENSIONS: mm		CHK SHIN_HOO 29JUL2022		
TOLERANCES UNLESS OTHERWISE SPECIFIED:		APVD CY PARK 29JUL2022	NAME ANT, UAM, WIFI 6E	
0 PLC ± -		PRODUCT SPEC	-	
1 PLC ± -		APPLICATION SPEC	-	
2 PLC ± -		WEIGHT 0	SIZE A2	CAGE CODE 00779
3 PLC ± -		FINISH -	DRAWING NO C=2195935	
4 PLC ± -		MATERIAL -	RESTRICTED TO -	
ANGLES ± -		CUSTOMER DRAWING	SCALE 1:1	SHEET 1 of 1
FINISH -			REV A	