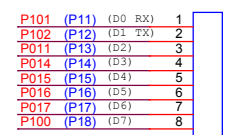
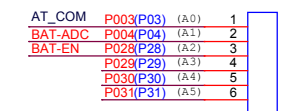
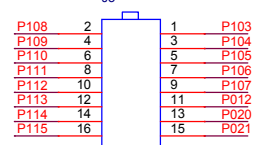
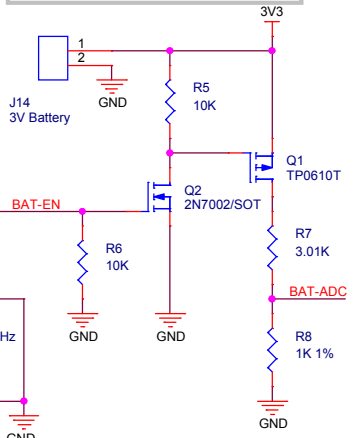
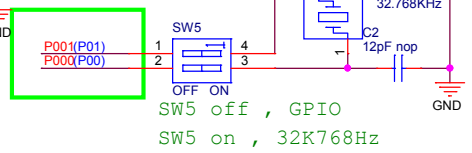
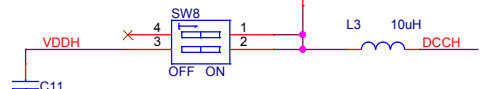


J14 input , J16 off

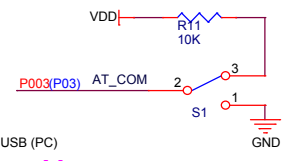
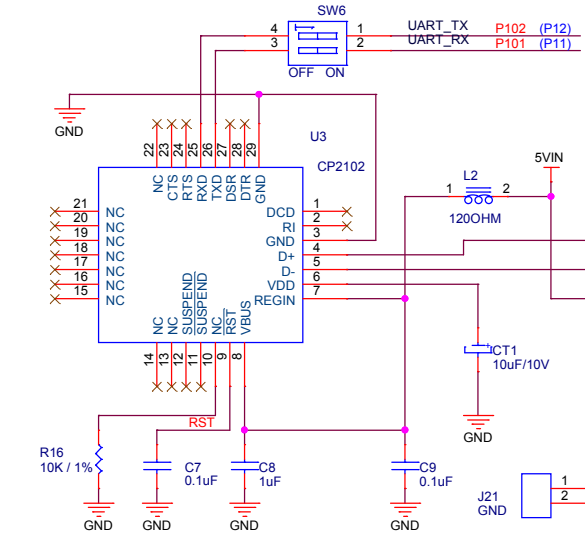


(ARDUINO)

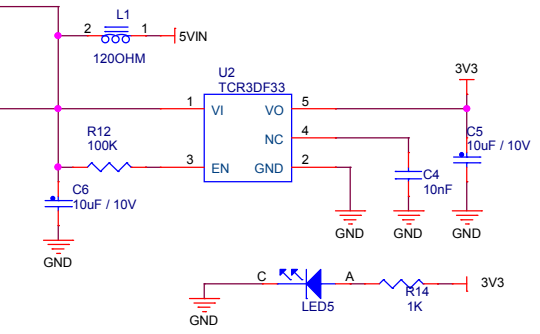
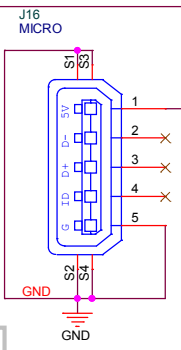
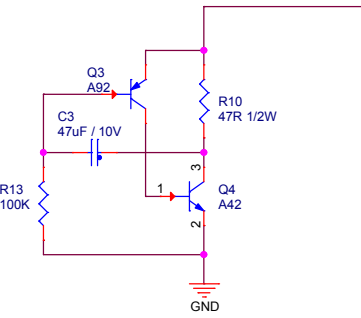
L3 Open , SW8 ON



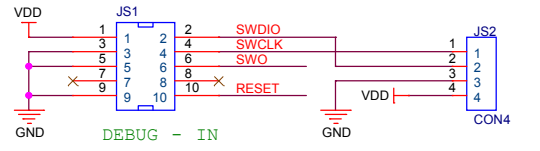
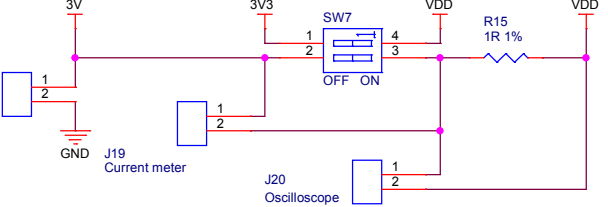
Current measurement , SW6 all off



Current measurement , SW7 pin1-4 off
SW7 pin2-3 on , J19 connect Current meter
SW7 pin2-3 on , J20 connect Oscilloscope



J18 External supply 3V



FANSTEL Corporation.			
Title			
NRF52832 EVM			
Size	Document Number	BT840(832) EVM (UNO)	Rev 1.0
B			
Date:	Friday, July 14, 2017	Sheet	1 of 1