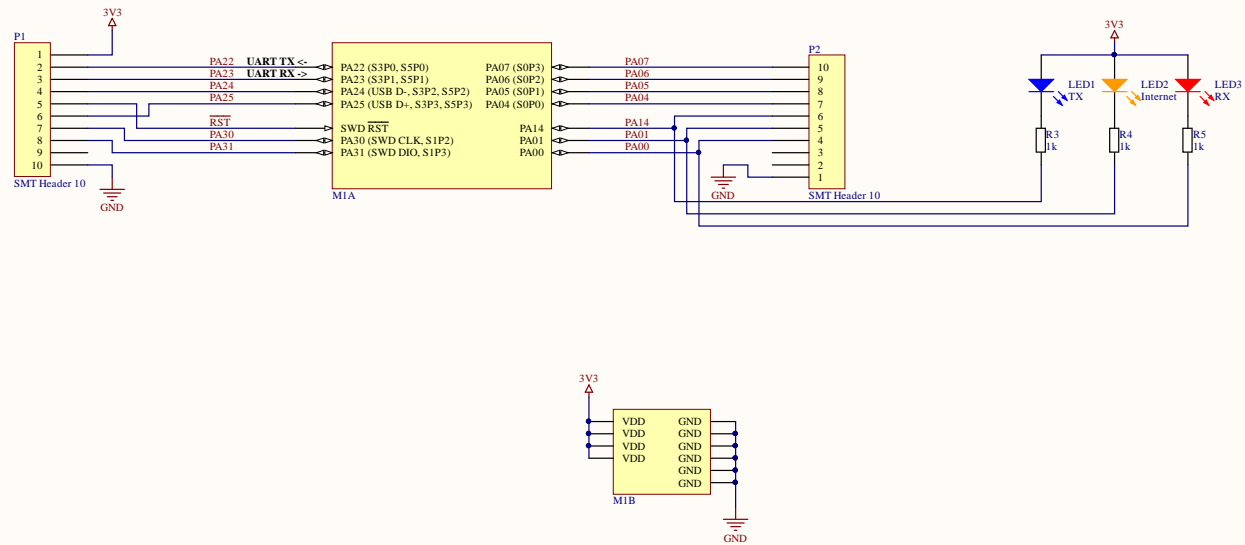




HELIUM REFERENCE DESIGNS ARE PROVIDED "AS IS".
HELIUM MAKES NO WARRANTIES WITH REGARD TO THE REFERENCE DESIGNS



Title Atom Prototyping Module		
Size Tabloid	Number	Revision 1.1
Date: 8/15/2017	Sheet of	
File: C:\Helium\Atom Proto Mod_Rev1.1_Sch.sch		