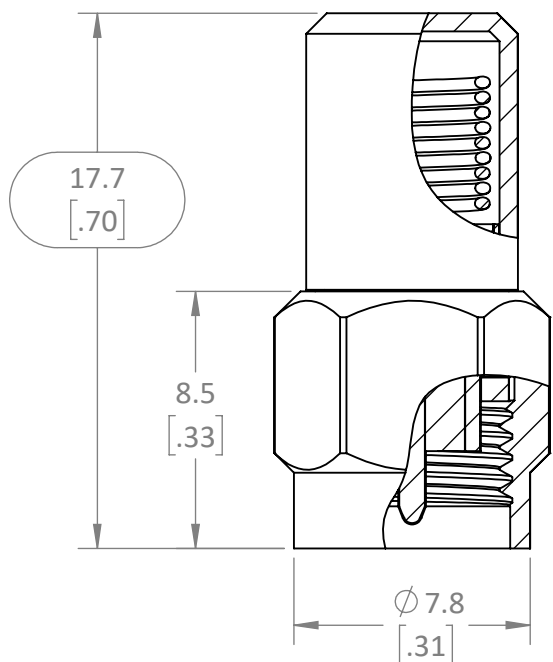
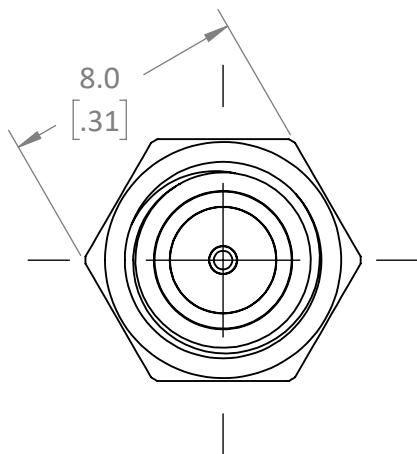


REVISIONS			
REV	DESCRIPTION	DATE	APPV
A	PRODUCTION RELEASE	JHAGER 2/15/2022	



NOTES: (UNLESS OTHERWISE SPECIFIED)

1. ALL DIMENSIONS ARE IN MILLIMETERS [IN].
2. DIMENSIONS APPLY AFTER FINISHING.
3. MANUFACTURE TO BE COMPLIANT WITH EU RoHS DIRECTIVE, USE MATERIALS THAT DO NOT CONTAIN REACH SUBSTANCES OF VERY HIGH CONCERN >1000ppm, AND USE DRC CONFLICT-FREE SOURCED MATERIALS.
4. ELECTRICAL PROPERTIES SHOWN FOR REFERENCE ONLY. REFER TO LINX DATA SHEET FOR ELECTRICAL PERFORMANCE DETAILS.
 1. IMPEDANCE: 50Ω
 2. FREQUENCY: 915MHz
 3. VSWR: NTE 1.5
5. MECHANICAL PROPERTIES
 1. APPLICATION AND STORAGE TEMPERATURE: -40° - +85°C
 2. INTERCONNECT CONFORMS WITH SMA TYPE MIL-STD-348B
 3. SMA SHOWN FOR REFERENCE ONLY SEE TABLE FOR INTERCONNECT TYPE.
 4. MATING TORQUE MAX 7-10 in/lbs
6. PACKAGE ANTENNA INDIVIDUALLY AND PLACE IN LOT BAG. LABEL WITH THE FOLLOWING INFORMATION ONLY:
 1. LOT NUMBER
 2. LINX PART NUMBER
 3. QUANTITY
 4. COUNTRY OF ORIGIN



PART NUMBER	INTERCONNECT
ANT-915-NUB-SMA	SMA
ANT-915-NUB-RPS	RP-SMA

WARNING: THIS DRAWING CONTAINS PROPRIETARY INFORMATION THAT IS THE SOLE PROPERTY OF LINX TECHNOLOGIES, AND SHALL BE TREATED AS SUCH. NO DISCLOSURE OR REPRODUCTION OF THIS DOCUMENT IS PERMITTED, IN WHOLE OR IN PART, WITHOUT THE EXPRESS WRITTEN PERMISSION OF LINX TECHNOLOGIES OR ITS DESIGNATED AGENTS.



159 ORT LANE
MERLIN, OR 97532

TITLE:
**ANTENNA 915MHZ
LPWA STUBBY**

MATERIAL: BRASS POM	INTERPRET DIMENSIONS AND TOLERANCES PER ASME Y14.5. .X ±2.0 .XX ±1.00 .XXX ±.500	ANGLES: ±1° SURFACE: $\sqrt{\text{32}}$	PROJECTION: 	SIZE A	DWG. NO. C-ANT-915-NUB-XXX	REV A
FINISH: GOLD	DRAWN: JHAGER ENGR: DASARATHAN	DT: 2/4/22 DT: 2/4/22	SCALE: 4:1	DO NOT SCALE DRAWING	SHEET 1 OF 1	