

## Type2DK UWB module

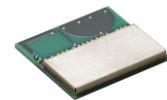
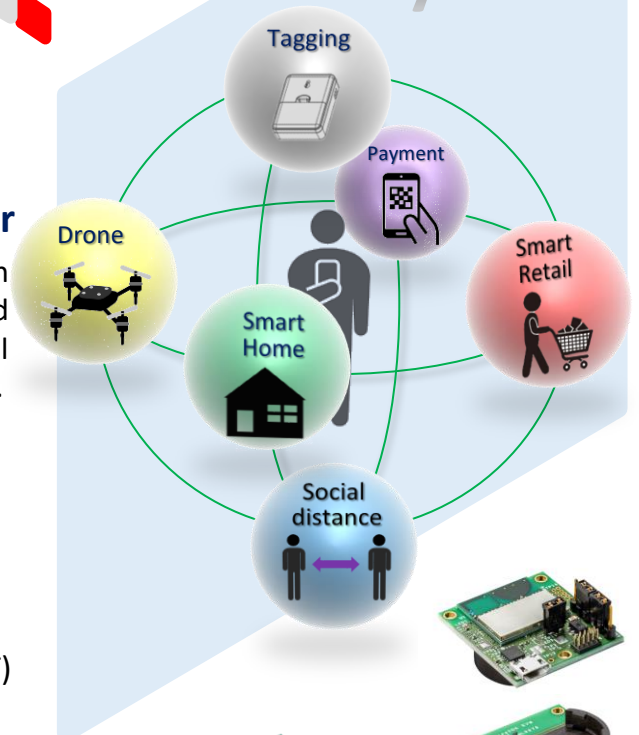
# UWB Module

## Ultra-small, high quality and lower power

Murata Type 2DK provides a complete solution with integrated Bluetooth® LE SoC, on-board antenna and peripheral components. Ideally suited for coin cell battery-operated IOT devices like UWB trackers and tags.

### Features

- UWB Chipset : NXP SR040
- Bluetooth® LE + MCU Chipset : NXP QN9090
- UWB Channel 5, 9 support
- Interface : UART
- Antenna support (UWB ANT/ Bluetooth® LE ANT)
- Reference clock and sleep clock embedded
- BPF (Band pass filter) integrated for regulatory certification
- Package: Metal case
- RoHS: This component can meet with RoHS compliance.



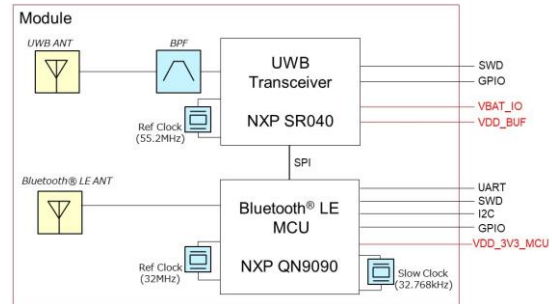
Type2DK module



Evaluation board (Front and back)

### Benefits

- Smallest/highly integrated UWB module available in the market
- Tx power and Xtal calibrated for each device
- Evaluation board available for quick development start
- Design guide available for easy UWB adoption to IoT device
- FCC/IC, ETSI, TELEC Certification ( In plan)



P/N	LBUA2ZZ2DK-SMP
Main Chipset	NXP SR040 + NXP QN9090
CPU Core	ARM Cortex-M4 (NXP QN9090)
RF technology	UWB Ch 5 & 9
Dimensions	19.6 x 18.2 x 2.3(max) mm
Package type	LGA
Supply Voltage (V)	3.3V
Target Accuracy	Ranging accuracy : +/- 10[cm]
Operating Temperature	-30 to 85 deg.C