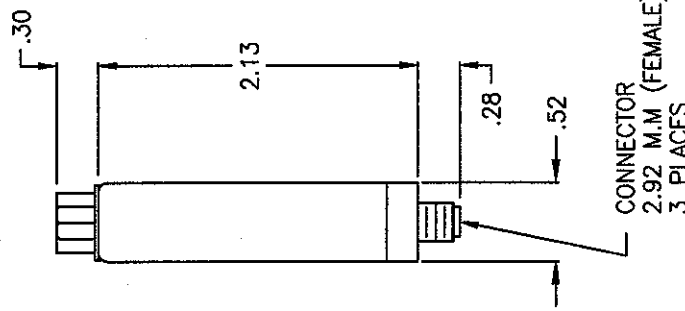
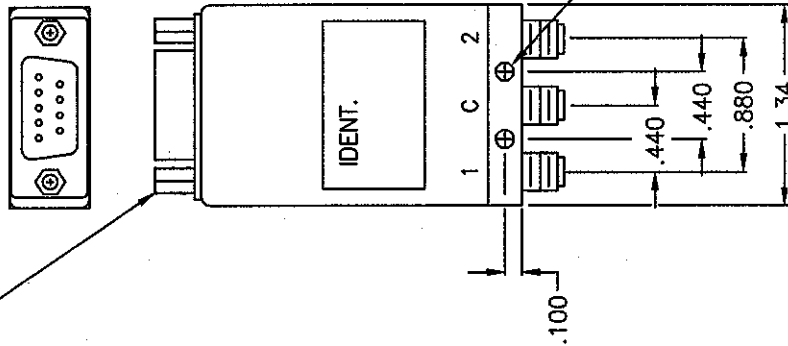
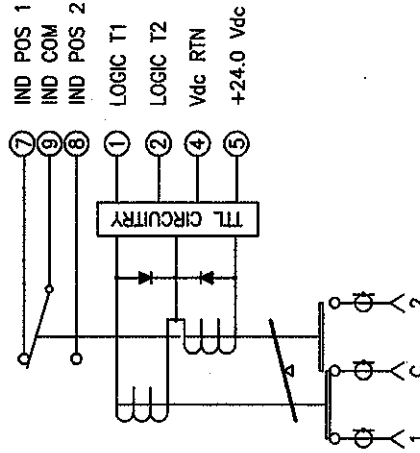


CONN. D'SUB 9 PINS



LOGIC TRUTH TABLE		
RF PATH	LOGIC T1	LOGIC T2
1-C	1	0
2-C	0	1

9 PINS D'SUB. DESIGNATION	
PIN No.	FUNCTION
1	LOGIC T1
2	LOGIC T2
3	SPARE
4	Vdc RETURN
5	+24.0 Vdc
6	SPARE
7	INDICATOR POS 1
8	INDICATOR POS 2
9	INDICATOR COMMON



NOTES :

1. FREQ : DC-40.0 GHz
 2. ACTUATOR VOLTAGE : 24.0±2.0 Vdc
 3. ACTUATOR CURRENT : 80 mA AT 24.0 AND 25°C
 4. TTL : HIGH (1) = 5.0 Vdc (3.0 V MIN AND 7.0 V MAX)
LOW (0) = 0 - 0.8 Vdc (CAN BE OPENED CIRCUIT)
- TTL CURRENT : 1.38 mA AT 5.0 Vdc
RTN Vdc OF TTL ARE RESPECT TO RTN Vdc OF ACTUATOR VOLTAGE (SAME GROUND)

UNLESS OTHERWISE SPECIFIED	
DIMENSION ARE IN INCHES	
TOLERANCE ON	
DEC.	.XX ± .03
	.XXX ± .010
DIMENSIONS BEFORE PLATING	
DIMENSIONS ± 1/64 ANGLES ± 1/2	
APPROVALS	DATE
DRAWN C.G.D	9/10/21
ENGR KEITH C.	9/10/21
QA	

CHARTER ENGINEERING INC.

COAXIAL, RF-SWITCH

SIZE	DWG.No.	REV
B	B40P-A30520	N/C
SCALE	N/A	CAGE CODE
	1SWEB	SHEET
		1 OF 1