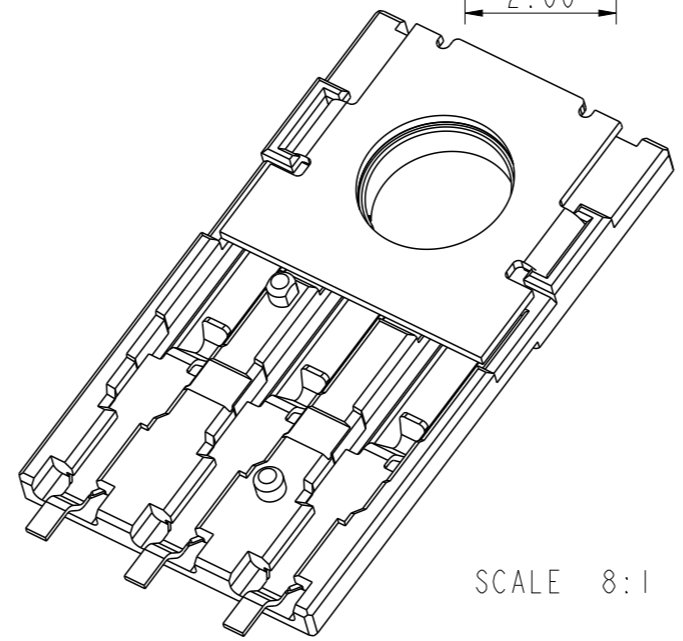
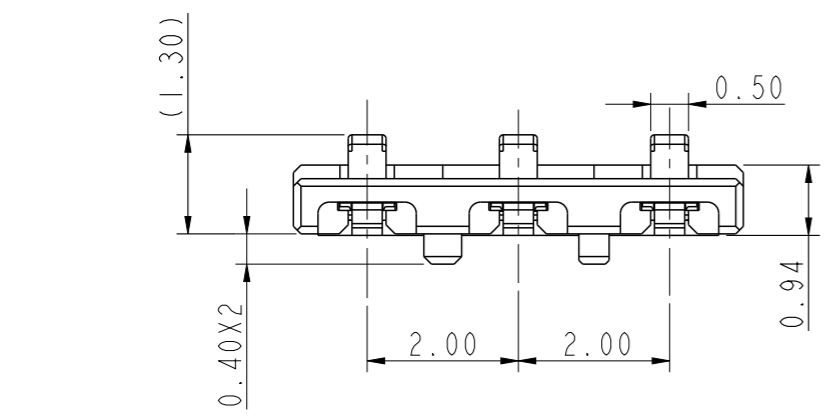
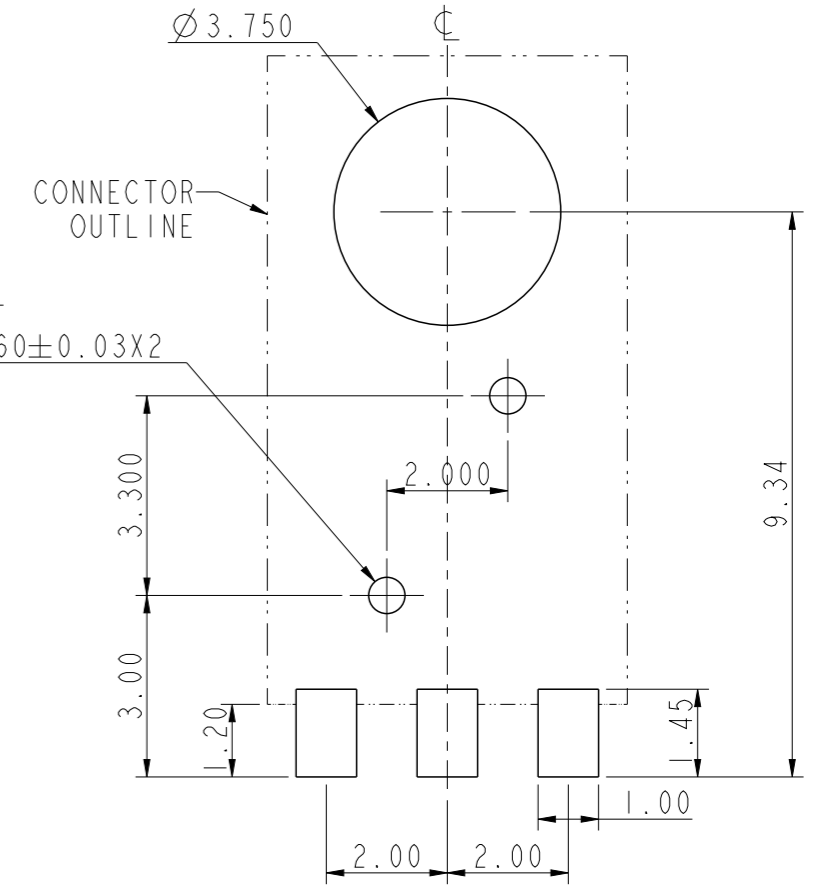
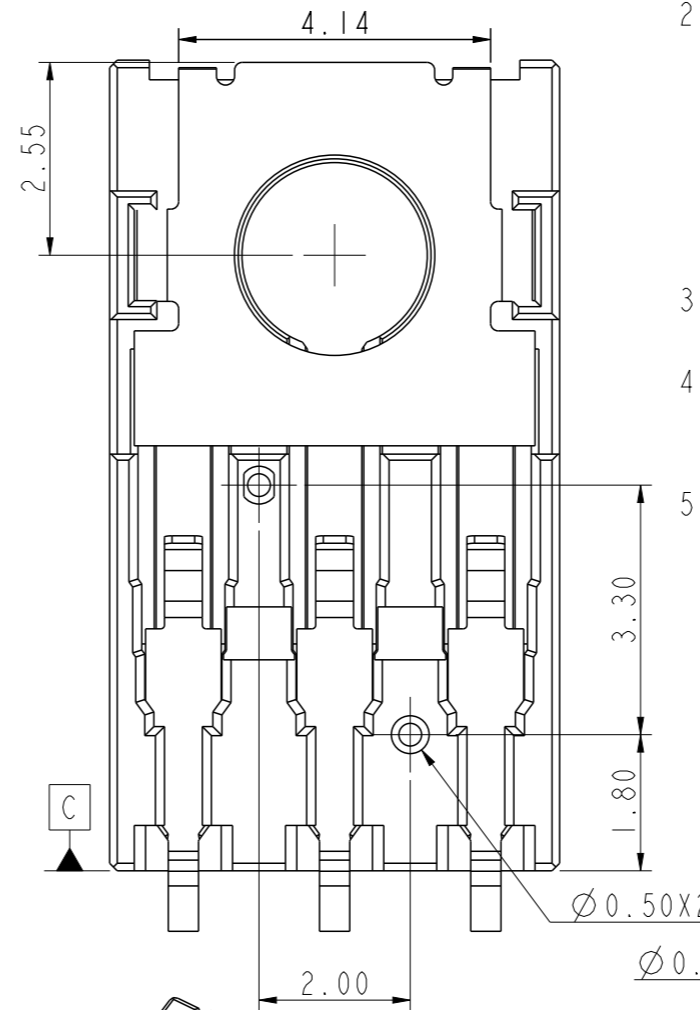
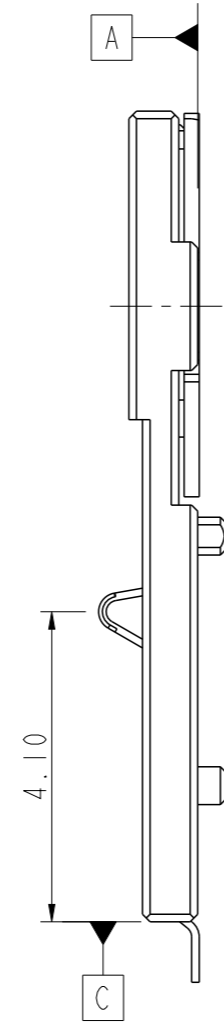
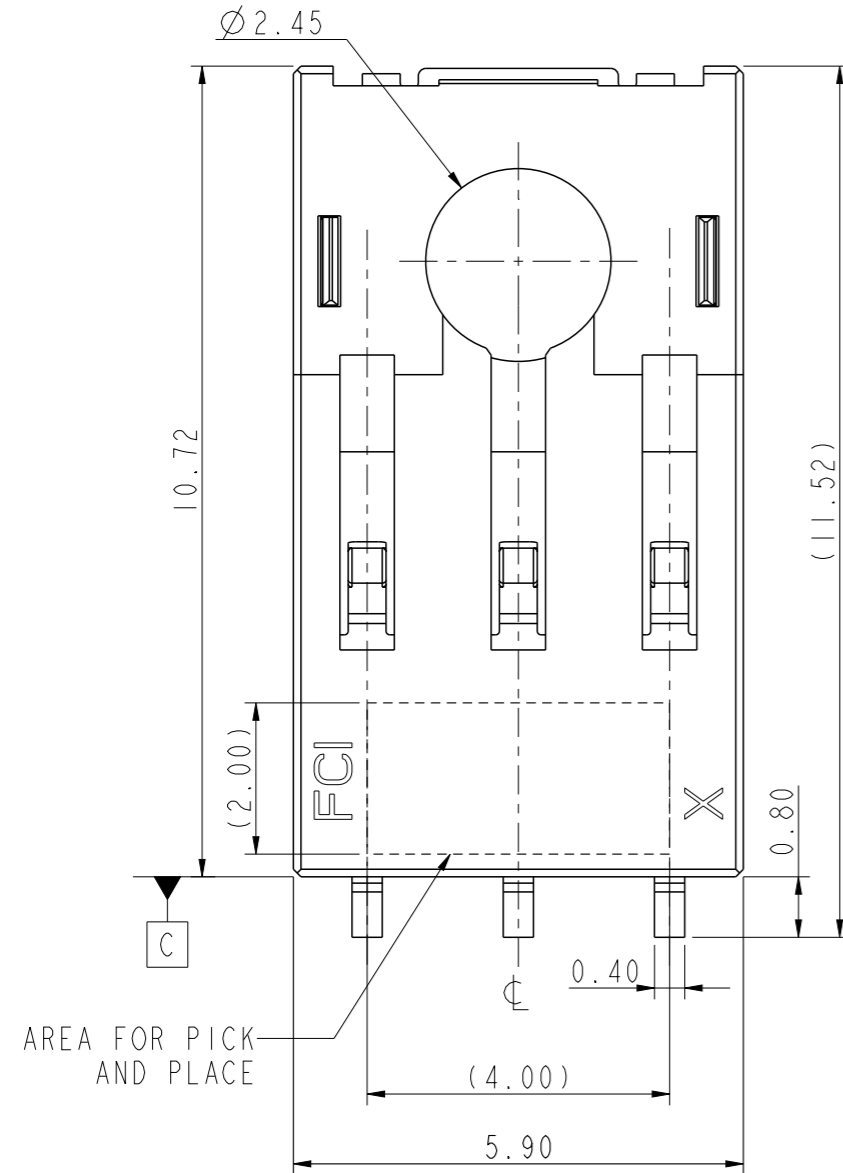


PRODUCT NO	PACKAGING
10156292-00ITRLF	TAPE AND REEL

NOTES:

- HOUSING: HIGH TEMPERATURE THERMOPLASTIC
UL 94V-0, COLOUR: BLACK
- CONTACTS: COPPER ALLOY.
PLATING SPEC:
0.076um MIN GOLD AT CONTACT AREA,
0.051um MIN GOLD AT SOLDER TAIL,
OVER 1.27um MIN NICKEL UNDERPLATE OVERALL.
1.91um MIN MATTE TIN AT GROUND PLATE OVER
1.27um MIN NICKEL UNDERPLATE OVERALL.
- AT 0.94mm HEIGHT, CONTACT NORMAL FORCE
SHALL BE MIN 25gf.
- THIS PRODUCT MEETS EUROPEAN UNION DIRECTIVES
AND OTHER COUNTRY REGULATIONS AS DESCRIBED
IN GS-47-0004.
- THE HOUSING WILL WITHSTAND EXPOSURE TO 260°C
PEAK TEMPERATURE FOR 10 SECONDS IN A CONVECTION,
INFRA-RED OR VAPOUR PHASE REFLOW OVEN.



SCALE 8:1

RECOMMENDED SMT PAD LAYOUT

Amphenol
FCi

© 2020 Amphenol Corporation

spec ref	-	dr	Dennis Goh	2023/04/12	projection	MM	size	A3	scale	8:1
tolerance std	ASME Y14.5	eng	Dennis Goh	2023/05/24			ecn no		rel level	
TOLERANCES UNLESS OTHERWISE SPECIFIED		chr	-	-			Released			
surface	linear	appr	Koon-Poh Tay	2023/05/24	product family	-	dwg no		10156292	rev
ASME Y14.5	angular	Amphenol FCI		3P SPINDLE MOTOR CONNECTOR 2.0mm PITCH		cat. no. -		Product - Customer Drw		A
								sheet 1 of 1		

Creo File:ELX-WC-A3C_REV F_2020-12-21