

DATA SHEET

PANTILT5015LWS

2 – axis Azimuth (PAN)
and Altitude (TILT) control
with absolute encoder



Pictures may differ from reality

**FEATURES**

- 2-axis movement (Azimuth and Altitude)
- Angle output resolution 0.01°
- Low backlash $\leq 0.05^\circ$
- Lock when power failure
- 12V...50V supply voltage
- RS-485 interface
- Monolithic aluminum CNC, hard anode
- Light weight body below 4kg
- Save and self lock position when power down

APPLICATIONS

PANTILT5015LWS is targeted at applications demanding high stability and accuracy with tough environmental requirements.

Typical applications include:

Antenna
alignment

Camera
Pan Tilt mount

Positioning and
guidance systems

1. INTRODUCTION

This document contains essential technical information about the PANTILT5015LWS including specifications, electrical properties and outline drawing

2. SPECIFICATIONS

2.1 General Specifications.

SPECIFICATIONS FOR PANTILT5015LWS

Pan angle	$\pm 200^\circ$ (400°) - may be customized
Tilt angle	$\pm 10^\circ$ (20°) - may be customized
Pan speed	$\leq 5^\circ/s$
Tilt Speed	$\leq 5^\circ/s$
Position resolution	0.05° (both Pan and Tilt)
Position accuracy	0.15° (both Pan and Tilt)
Maximum Moment	20N.m
Load capacity	Top mount up to 12 kg
Voltage Supply	12 ... 50 VDC
Power consumption	Max load 20W
Interface	RS-485
Software control	Als control ver2.0.exe (only Window)
Protocol	Provide API control
Material	Aluminum
Size	D187 x W100 x H232 mm ($\pm 5\%$)
Weight	4 kg (± 0.1 kg)
Option(*)	Sensor 3-axis inclinometer with angle output
Operating temperature	-10°C - 60°C
IP rating	IP67
Support	Salt fog (MIL-STD 810 G), Vibration (IEC 60068-2-6) and Shock testing (IEC 60068-2-27)

2.2 Electrical scheme diagram

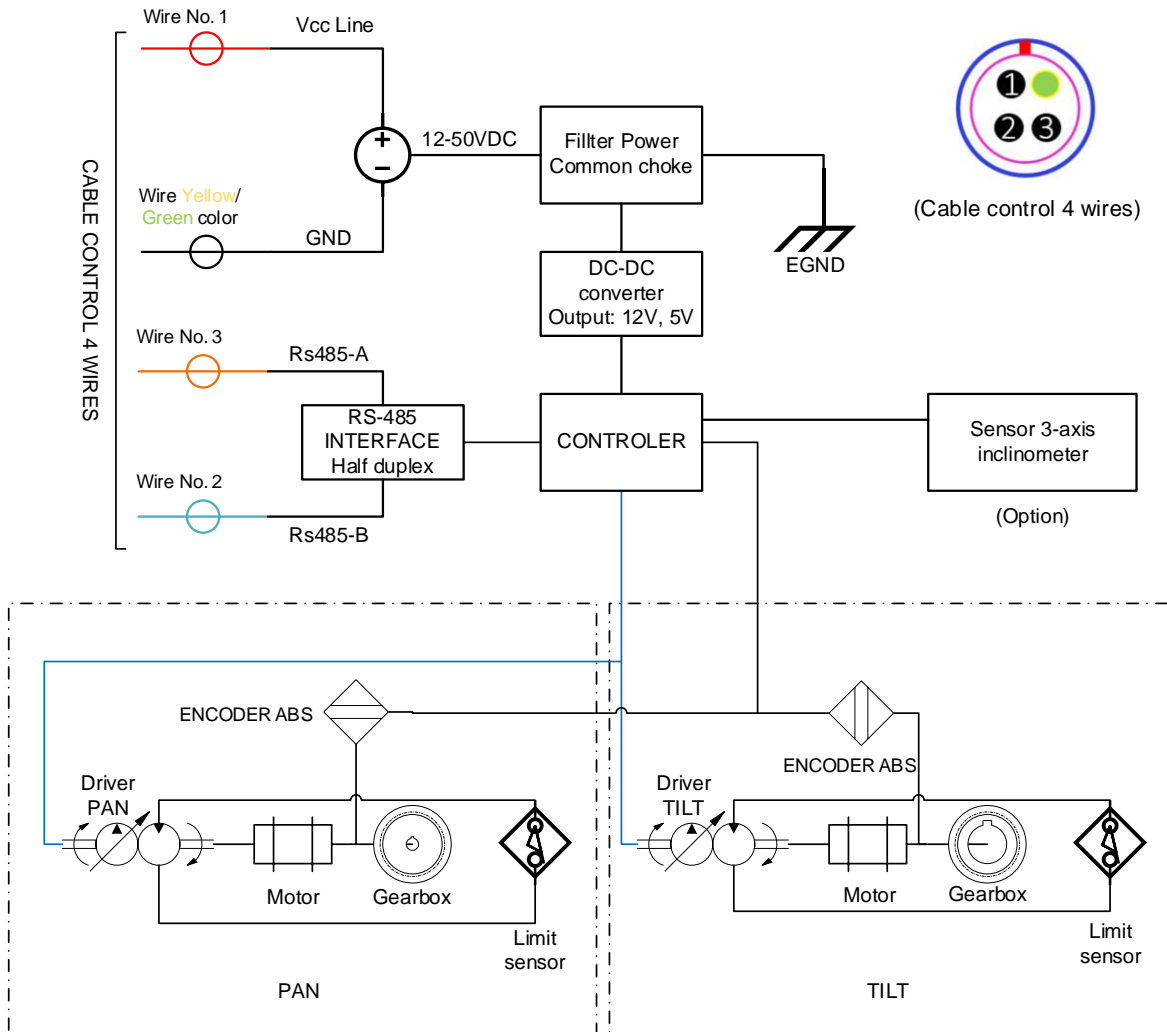


Figure 1: Electrical scheme diagram

2.3 Flow chart working

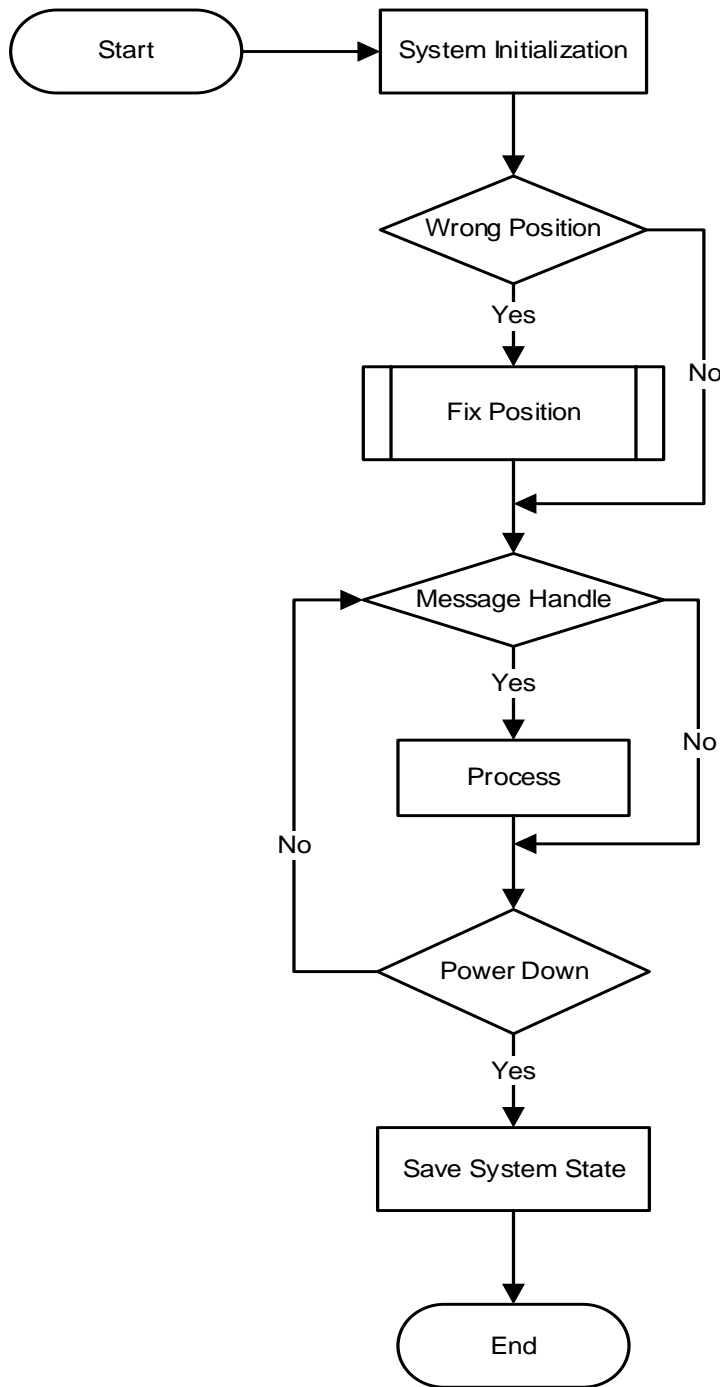


Figure 2: Process flow diagram

2.4 Product Outline Drawing

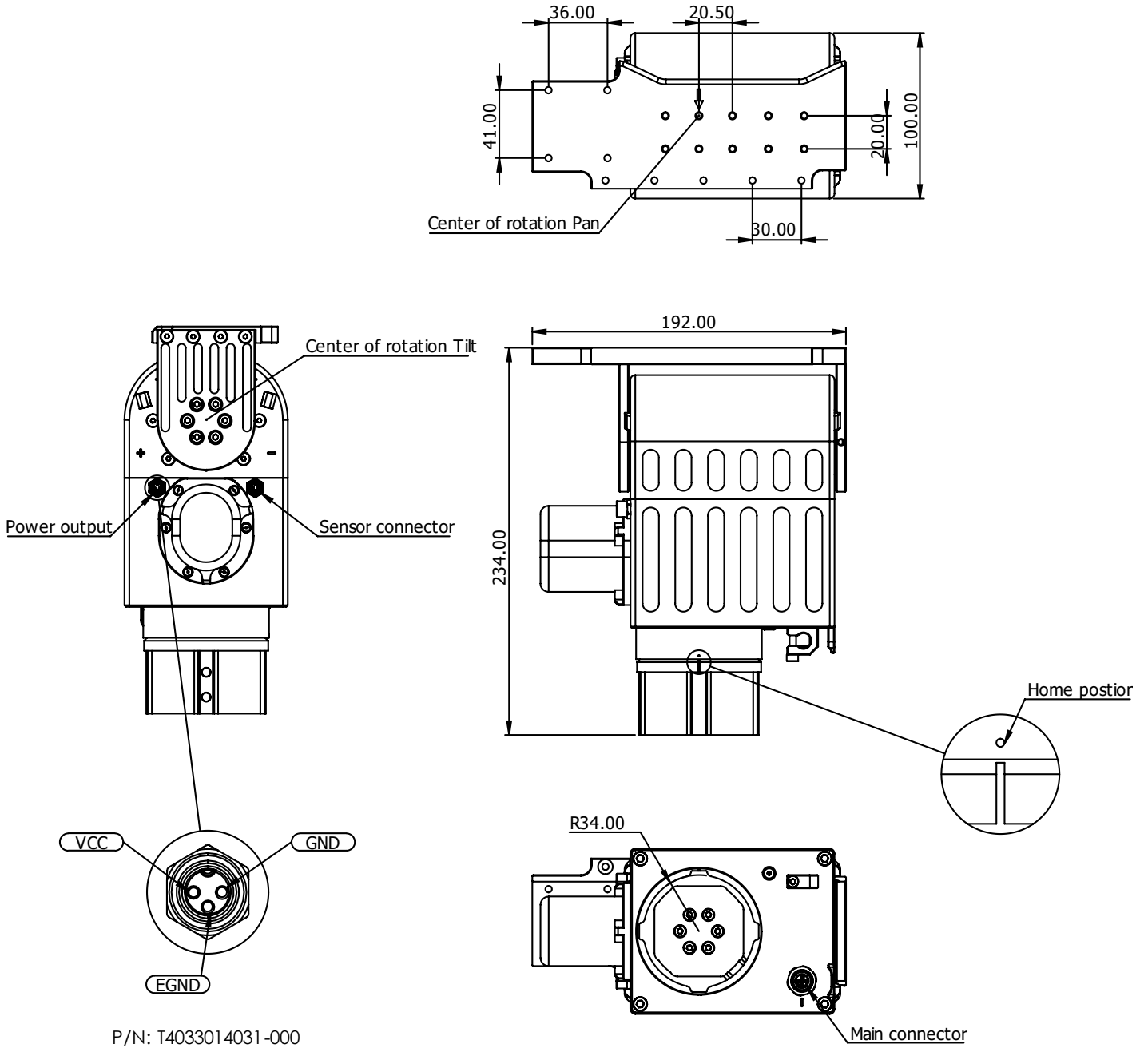


Figure 3: PANTILT5015LWS outline Drawing

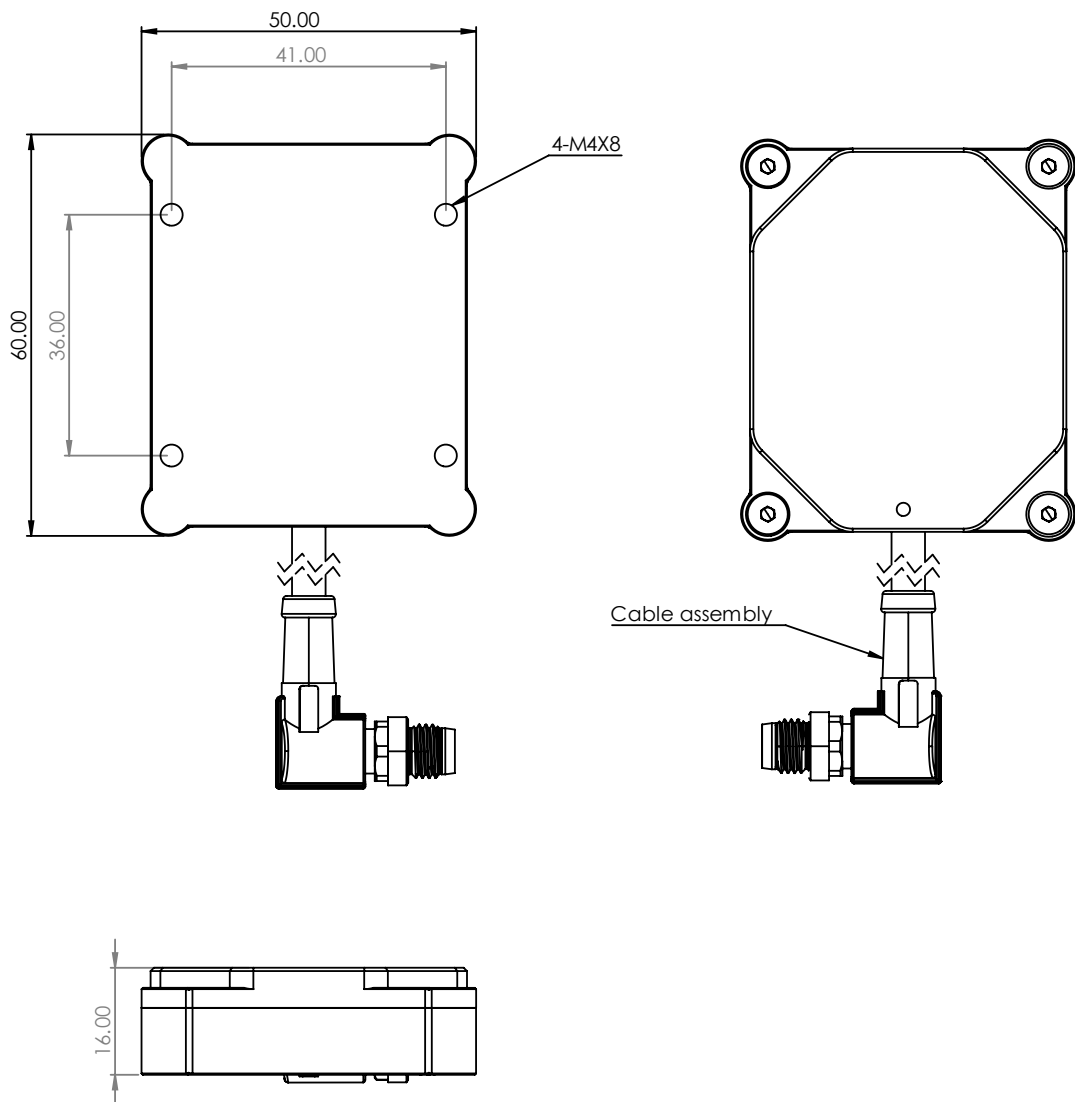



Figure 4: Sensor 3-axis inclinometer Box

3. EDITING HISTORY

Date	Version No.	Content changes
28/09/2021	Ver 2.0	Creat new datasheet
13/12/2021	Ver 2.1	New output power vs mechanic
12/02/2021	Ver 2.2	Update weight, environment standard

4. CONTACT US

VIET ELECTRONIC TECHNOLOGY SOLUTIONS (VIETES CO., LTD)

 3rd Floor, No 79+81, 193 Lane, Trung Kinh Street, Yen Hoa Ward, Cau Giay District, Hanoi City, VN.

 www.vietes.vn

 info@vietes.vn