

**SAW Filter 915.0MHz**  
**Part No: MP06992**

**Model: TA1423A**  
**Rev No: 5**

**A. MAXIMUM RATING:**

Electrostatic Sensitive Device (ESD)

1. Input Power Level: 10dBm
2. DC Voltage: 3V
3. Operating Temperature: -40°C to +85°C
4. Storage Temperature: -40°C to +125°C
5. Moisture Sensitive Level (MSL): Level 3
6. ESD 100V (MM), 200V(HBM)

**B. ELECTRICAL CHARACTERISTICS:**

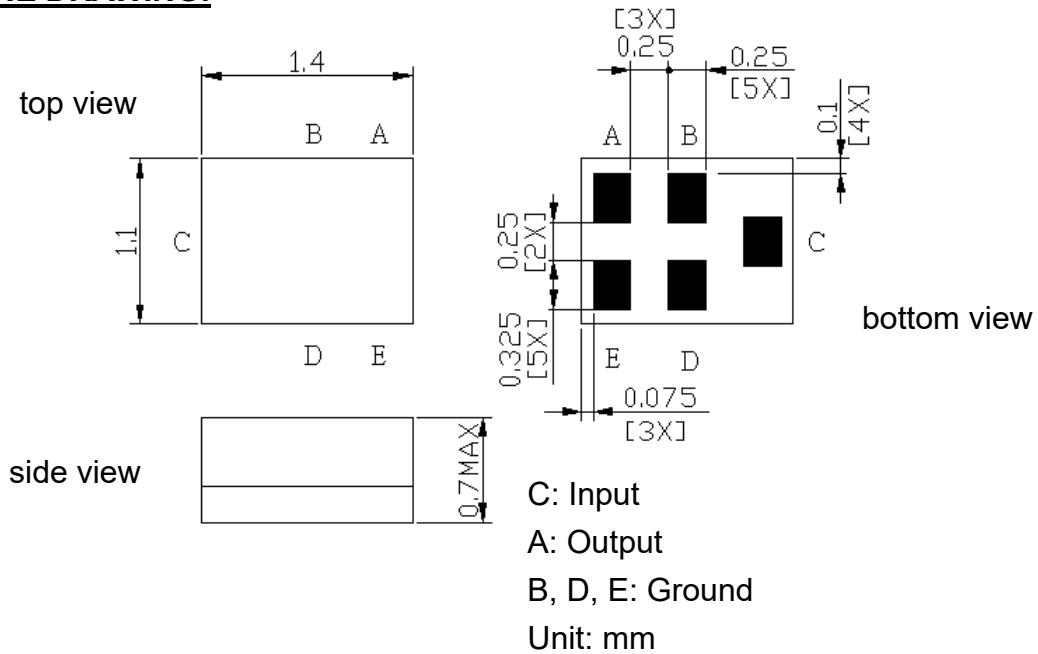
1. Terminating source impedance:  $Z_S = 50\Omega$
2. Terminating load impedance:  $Z_L = 50\Omega$

Item	Unit	Min.	Typ.	Max.	Note
Center Frequency $F_c$	MHz	-	915	-	-
Insertion Loss (902 ~ 928MHz) IL	dB	-	1.9	2.5	-
Amplitude ripple (902 ~ 928MHz)	dB	-	0.8	1.5	-
VSWR (902 ~ 928MHz)		-	1.6	2	-
Group Delay Deviation (902 ~ 928MHz)	ns	-	11	50	-
Attenuation (reference level from 0dB)					
10 ~ 800MHz	dB	42	46	-	-
800 ~ 845MHz	dB	40	44	-	-
845 ~ 880MHz	dB	35	38	-	-
947 ~ 970MHz	dB	13	28	-	-
970 ~ 1020MHz	dB	33	47	-	-
1020 ~ 1200MHz	dB	35	43	-	-
1200 ~ 3000MHz	dB	28	34	-	-
Temperature Coefficient of Frequency	ppm/°C	-	-36	-	-

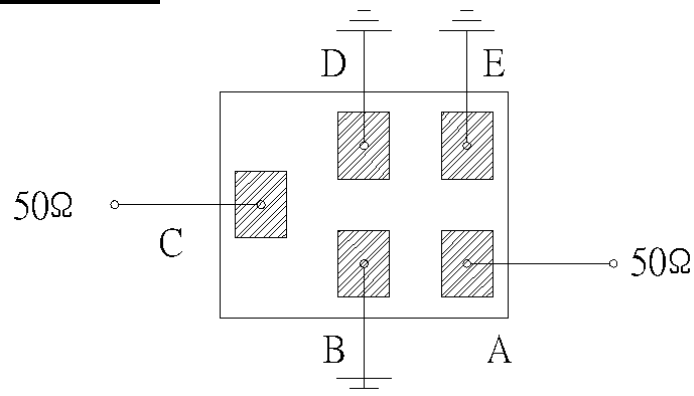
**SAW Filter 915.0MHz**  
**Part No: MP06992**

**Model: TA1423A**  
**Rev No: 5**

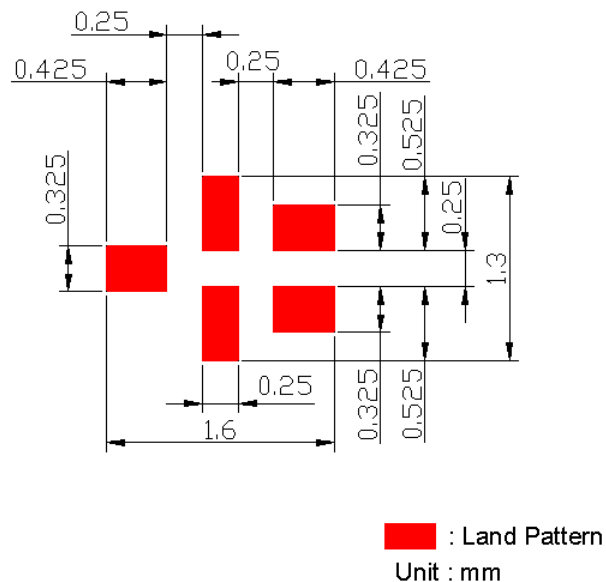
**C. OUTLINE DRAWING:**



**D. MEASUREMENT CIRCUIT:**



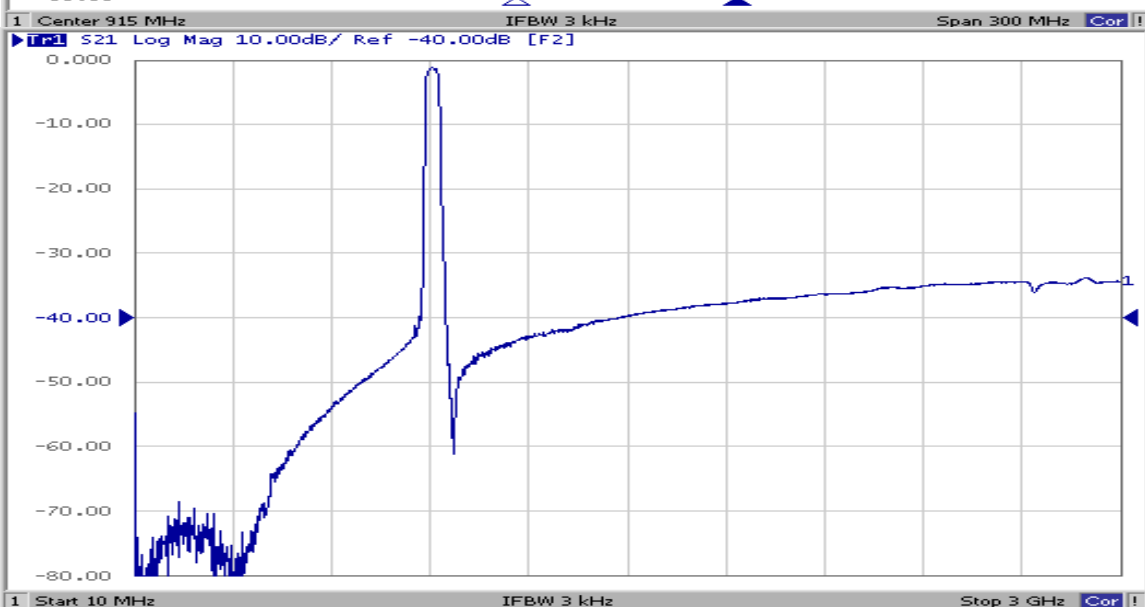
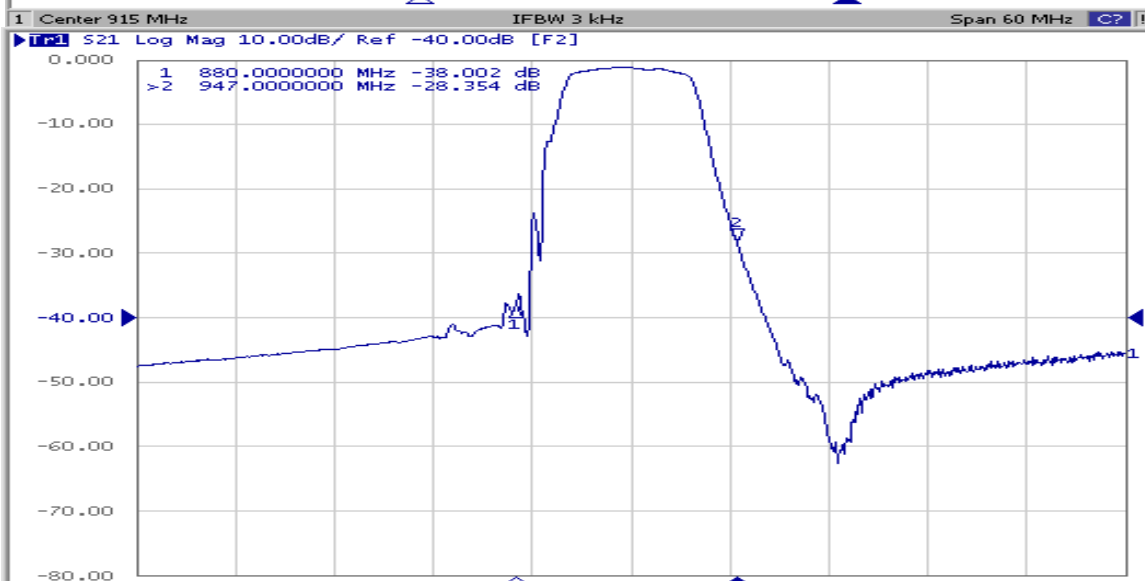
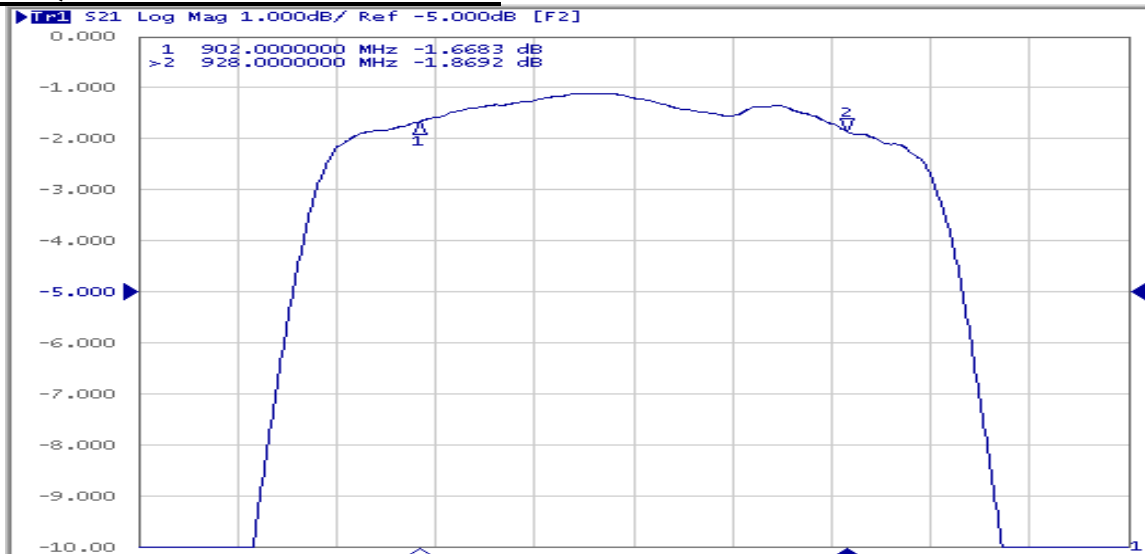
**E. PCB FOOTPRINT:**



**SAW Filter 915.0MHz**  
**Part No: MP06992**

**Model: TA1423A**  
**Rev No: 5**

**F. FREQUENCY CHARACTERISTICS:**

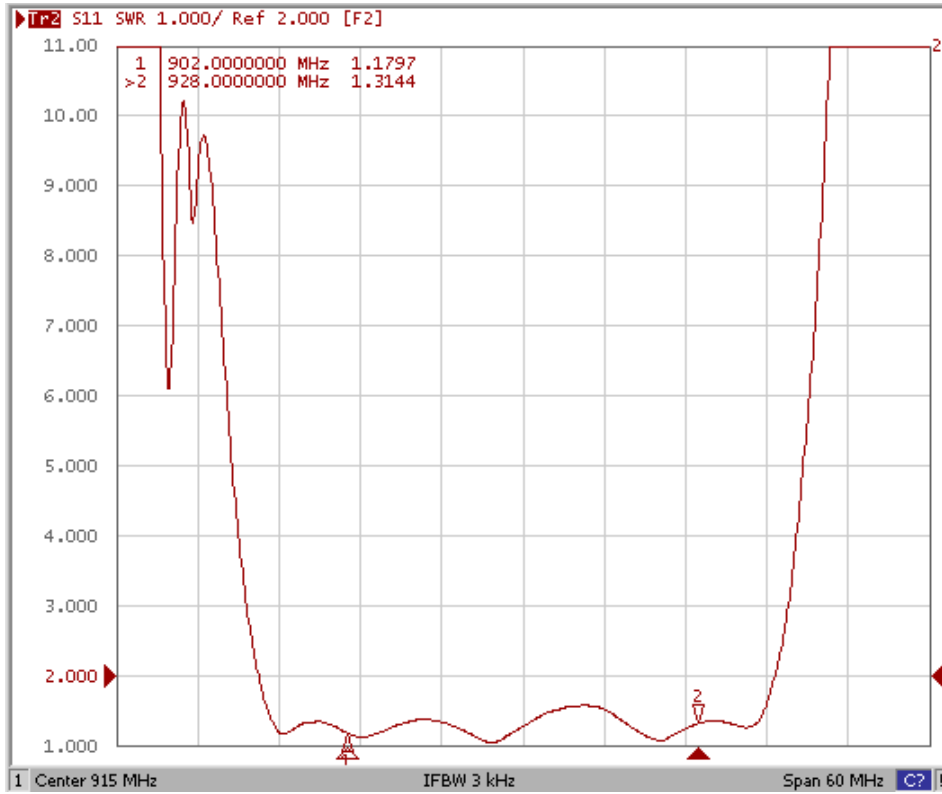


**SAW Filter 915.0MHz**  
**Part No: MP06992**

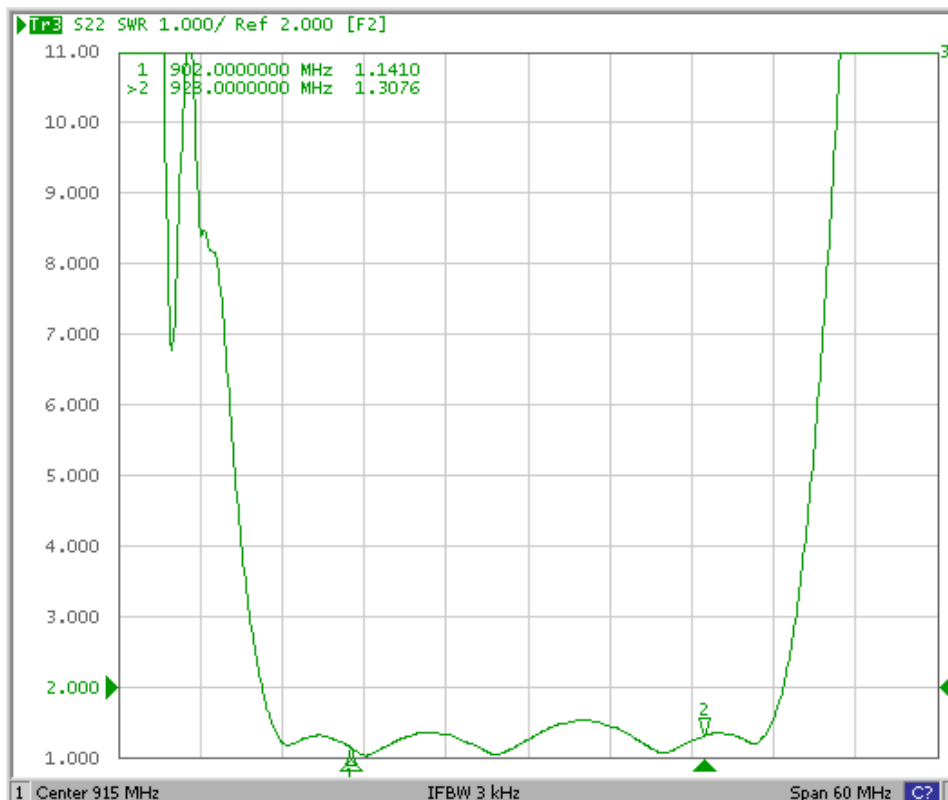
**Model: TA1423A**  
**Rev No: 5**

Reflection Functions

S11



S22

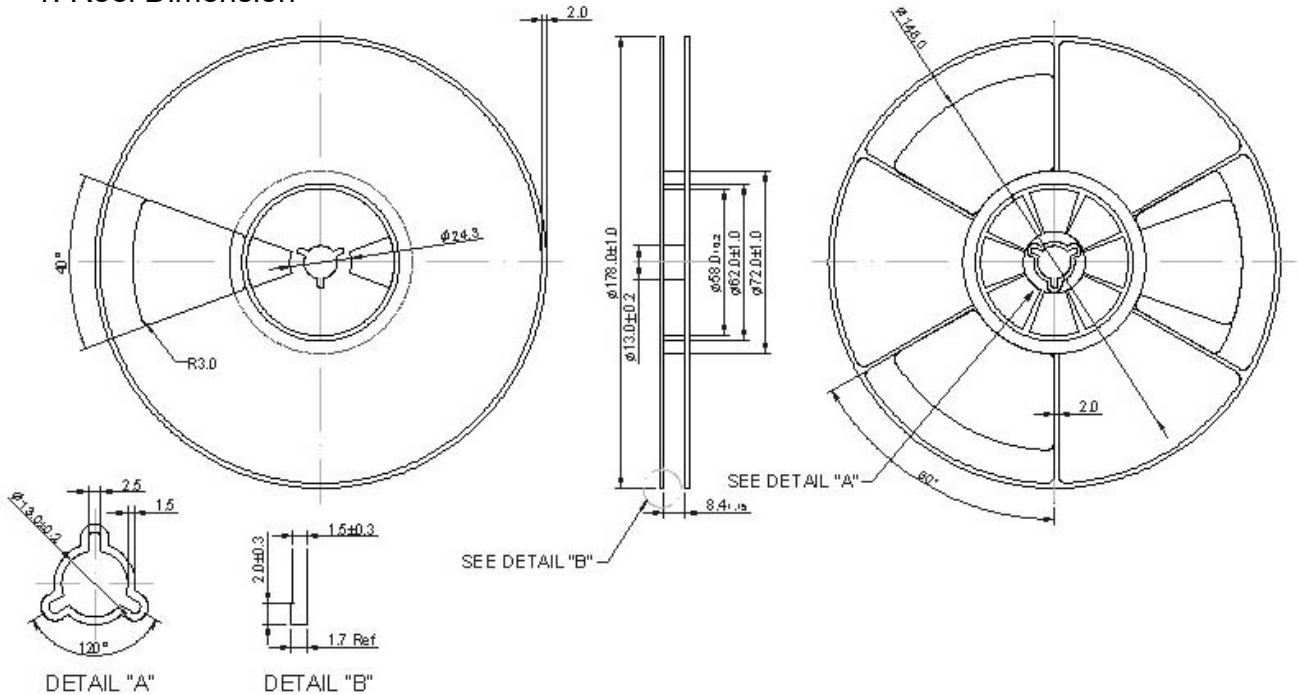


**SAW Filter 915.0MHz**  
**Part No: MP06992**

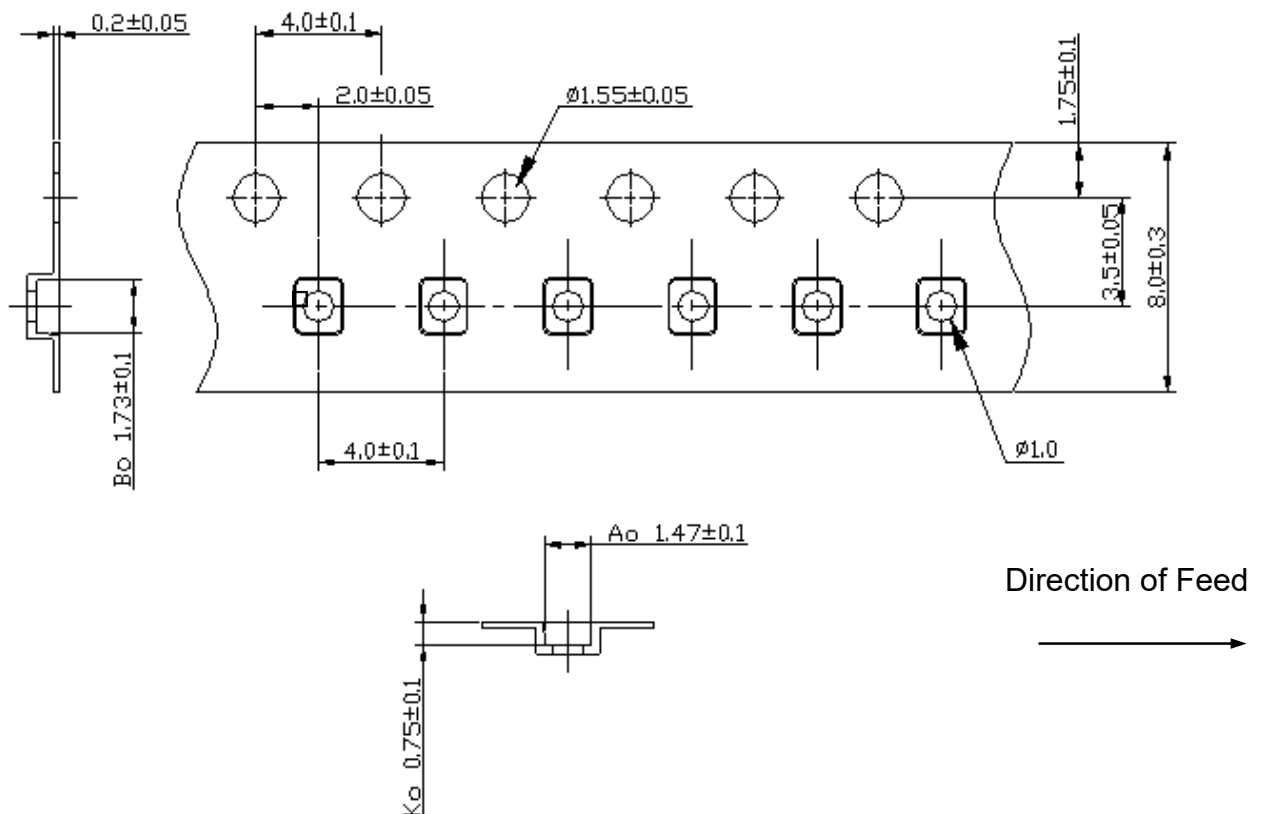
**Model: TA1423A**  
**Rev No: 5**

**G. PACKING:**

**1. Reel Dimension**



**2. Tape Dimension**



**SAW Filter 915.0MHz**  
**Part No: MP06992**

**Model: TA1423A**  
**Rev No: 5**

**H. RECOMMENDED REFLOW PROFILE:**

1. Preheating shall be fixed at 150 ~ 180°C for 60 ~ 90 seconds.
2. Ascending time to preheating temperature 150°C shall be 30 seconds min.
3. Heating shall be fixed at 220°C for 50 ~ 80 seconds and at 245 ~ 260°C peak (min. 10 sec).
4. Time: 2 times.

