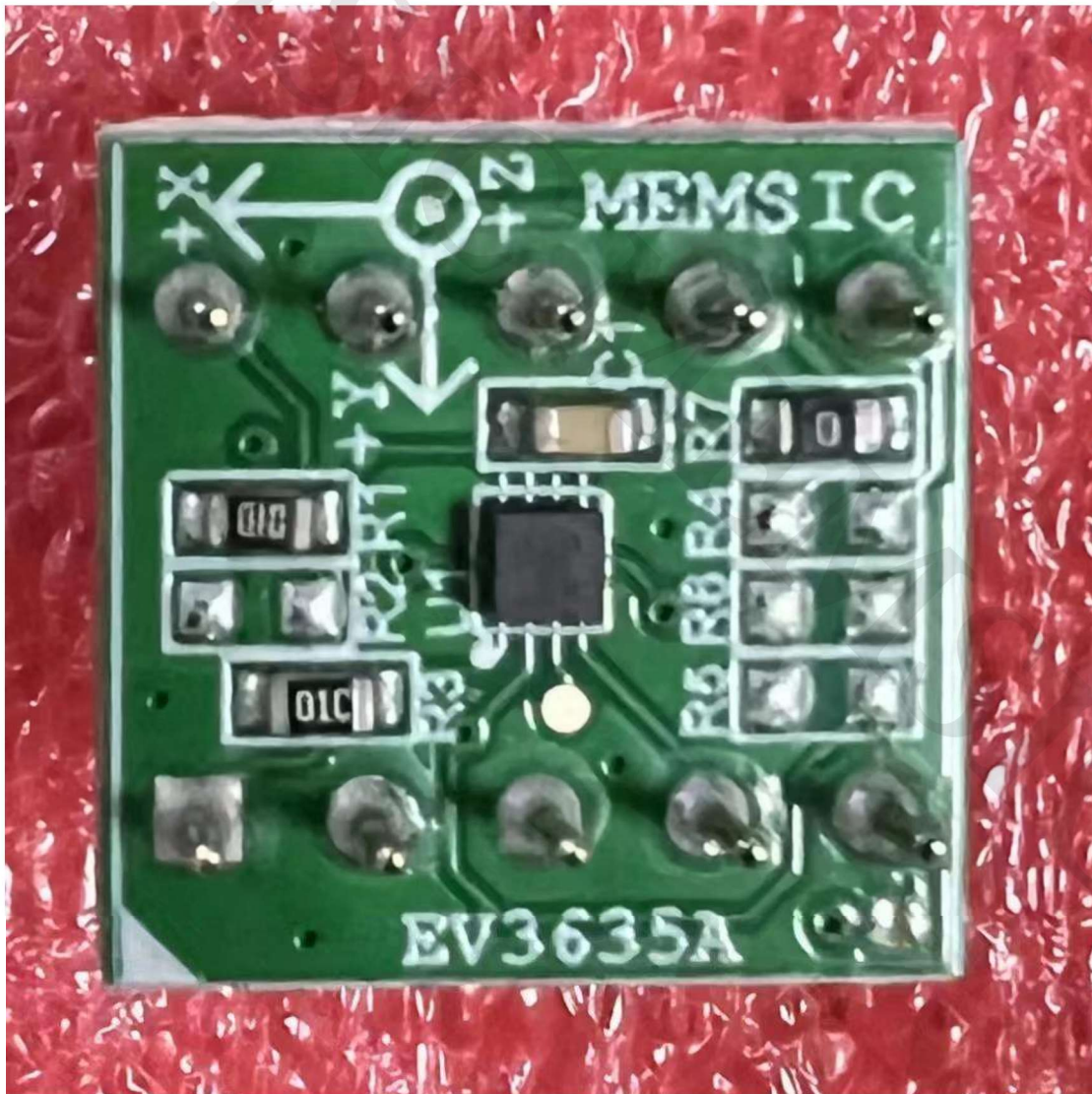


## The user manual for EV3635B

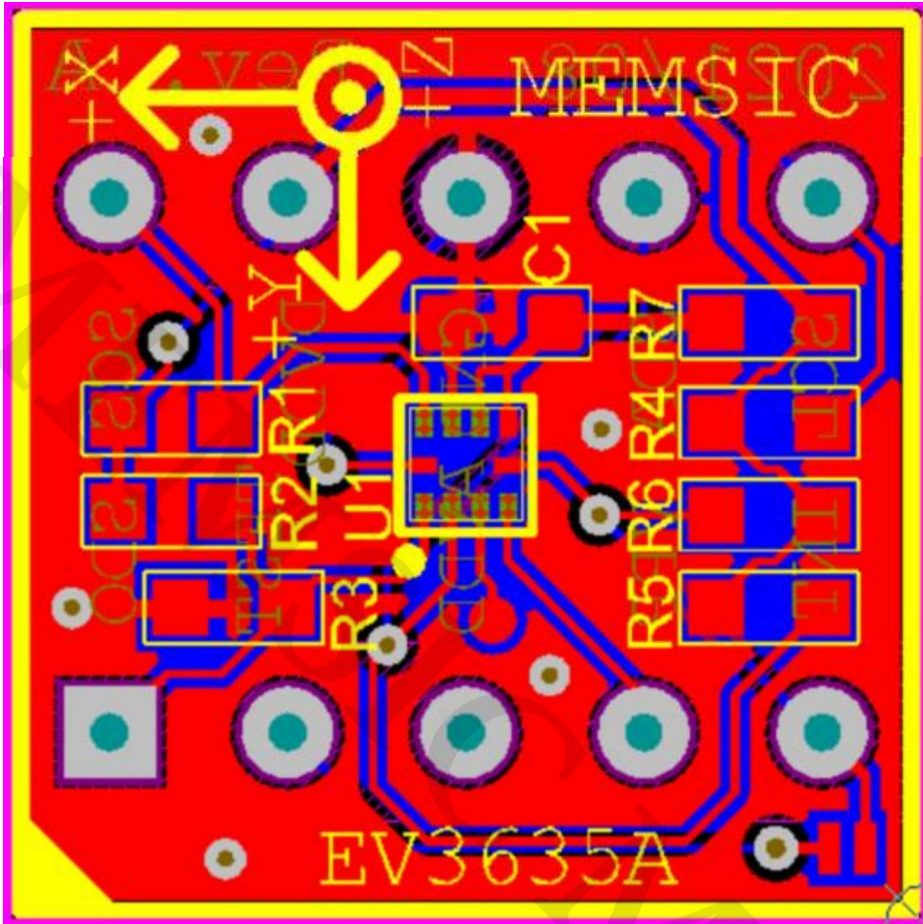
Rev 1.0

EV3635A (PCBA, PCB Assembly) and EV3635B (PCBA) use the same PCB, on which it is the same silk print “EV3635A” (refer to Picture 1 and Picture 2 below). The differences between EV3635A (PCBA) and EV3635B (PCBA) are that resistors’ values are different and whether the resistors are stuffed (refer to Table 1, Table 2, and Schematics below).

Since EV3635A (PCBA) is obsolete, all PCBA with the silk print “EV3635A” on PCB should be EV3635B (PCBA) when the print of the label on top of the packaging box is “EV3635B” (refer to Picture 3 below).



Picture 1



Picture 2





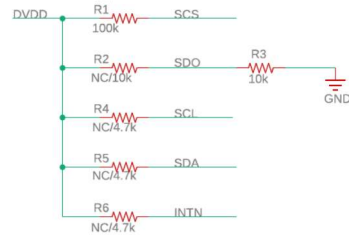
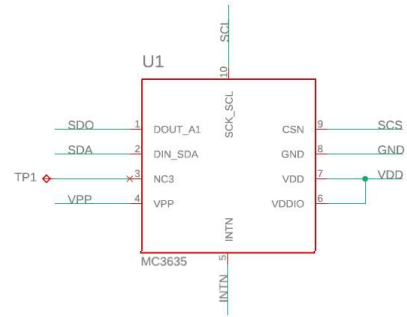
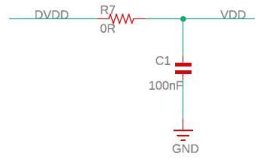
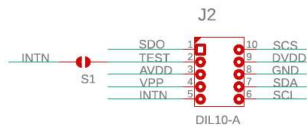
Picture 3

Interface (EV3635B)	R1	R2	R3
SPI or I2C 0x4C (Factory Default)	100KΩ	DNI	10KΩ
SPI or I2C 0x6C	100KΩ	10KΩ	DNI

Table 1

Interface (EV3635A, Obsolete)	R1	R2	R3
SPI (Factory Default)	4.7KΩ	4.7KΩ	DNI

Table 2



## Schematics

Notes: If I<sup>2</sup>C is used, and there are no pull up resistors on MCU board or inside MCU, R4 and R5 need to be populated by 4.7k resistors then.