



## **ALT021-10E TMR Magnetometer**

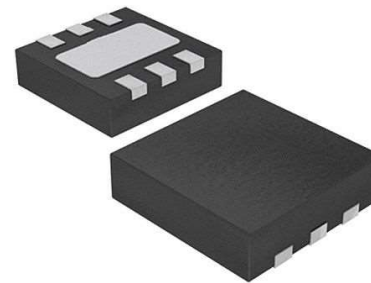
- 500 mV/V/mT sensitivity
- Detect magnetic field as small as 0.1  $\mu$ T
- 2.5 x 2.5 x 0.8 mm package
- 20 k $\Omega$  resistance

[sensor-apps@nve.com](mailto:sensor-apps@nve.com)

[nve.com](http://nve.com)

+1 952 829 9217

**TMR Sensors**  
*Manufactured in  
Eden Prairie,  
Minnesota, USA*



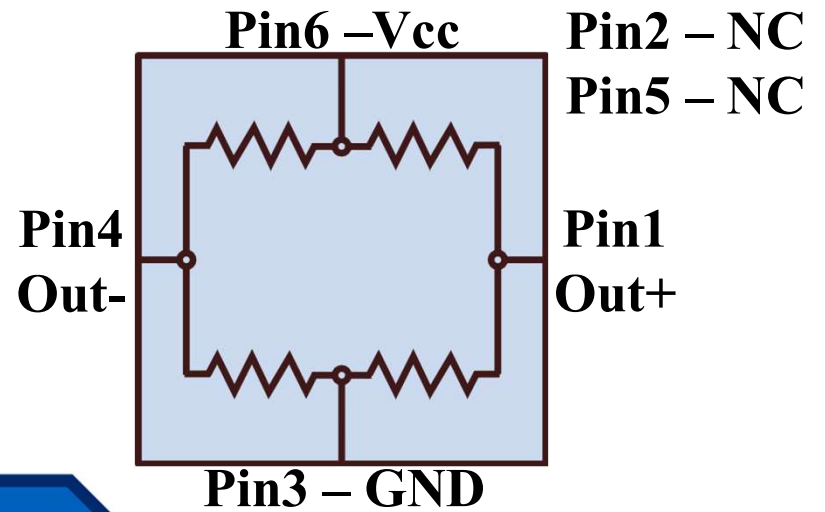
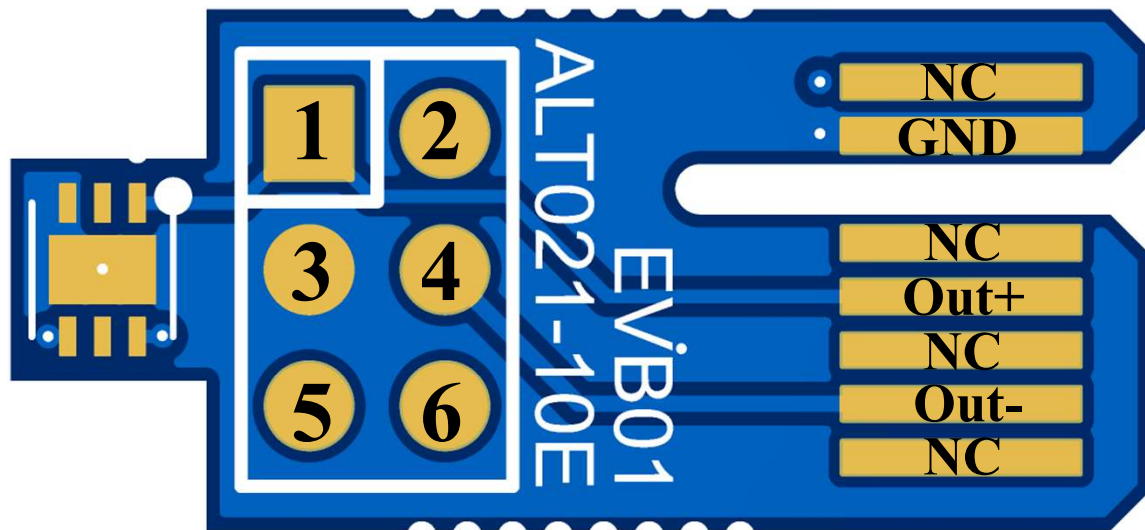
***Download the  
product datasheet:***



# ALT021-10E-EVB01

## NVELink

Approximate Dimensions:  
21.34 x 9.75 x 1.6 mm



**Card-Edge Connections**  
← Front Back →  
1.0 mm pitch

