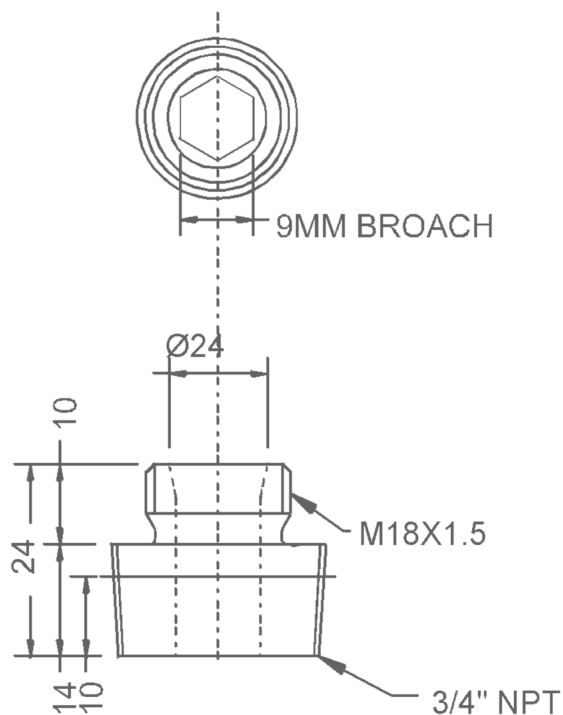


U40085



Screw-in adapter for process sensors

ADTR, EO2, 3/4" NPT



Application

Pressure rating [bar] 300

Mechanical data

Weight [g] 68.039
Material stainless steel (1.4301 / 304)
Sensor connection M18 x 1,5
Process connection 3/4" NPT

Remarks

Pack quantity 1 pcs.