



RAYCHEM

TE Internal #: 1765813001

Hook Up Wire, FlexLite HT, Operating Voltage 600 V, Tin-Plated Copper, 22 AWG Wire Size, .35 mm<sup>2</sup> Wire Size, Operating Temperature Range -65 - 200 °C

[View on TE.com >](#)

Wire & Cable > Hook Up Wire



Cable Type: **FlexLite HT**

Operating Voltage: **600 V**

Wire & Cable Insulation Material: **Radiation-Crosslinked, Modified ETFE**

Conductor Material: **Tin-Plated Copper**

Wire Size: **22 AWG**

**Features**

**Product Type Features**

Cable Style	Primary, Stranded
-------------	-------------------

**Configuration Features**

Number of Conductors	1
Number of Strands	19

**Electrical Characteristics**

Resistance Rating Conditions (Max)	56.1 Ω/1000 ft @ 68°F
Operating Voltage	600 V

**Body Features**

Wire & Cable Insulation Material	Radiation-Crosslinked, Modified ETFE
Conductor Material	Tin-Plated Copper
Wire Color (Base)	Red

**Dimensions**

Weight (Nominal)	4.22 kg/km
Cable Insulation Thickness	.15 mm[.006 in]
Outside Cable Diameter	1.12 - 1.19 mm[.044 - .047 in]
Conductor Diameter Range	.7 - .76 mm[.275 - .029 in]
Strand Size	35 AWG



Wire Size .35 mm<sup>2</sup>

**Usage Conditions**

Cable Type	FlexLite HT
Operating Temperature Range	-65 - 200 °C

**Product Compliance**

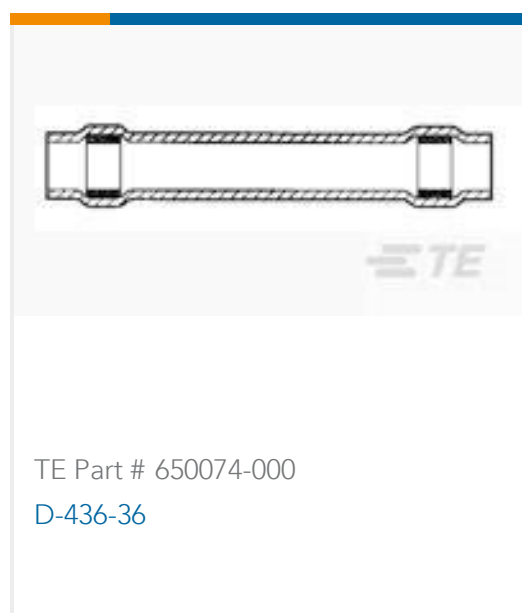
[For compliance documentation, visit the product page on TE.com>](#)

EU RoHS Directive 2011/65/EU	Compliant
EU ELV Directive 2000/53/EC	Compliant
China RoHS 2 Directive MIIT Order No 32, 2016	No Restricted Materials Above Threshold
EU REACH Regulation (EC) No. 1907/2006	Current ECHA Candidate List: JAN 2024 (240) Candidate List Declared Against: JAN 2024 (240) Does not contain REACH SVHC
Halogen Content	Not Low Halogen - contains Br or Cl > 900 ppm.
Solder Process Capability	Not applicable for solder process capability

**Product Compliance Disclaimer**

This information is provided based on reasonable inquiry of our suppliers and represents our current actual knowledge based on the information they provided. This information is subject to change. The part numbers that TE has identified as EU RoHS compliant have a maximum concentration of 0.1% by weight in homogenous materials for lead, hexavalent chromium, mercury, PBB, PBDE, DBP, BBP, DEHP, DIBP, and 0.01% for cadmium, or qualify for an exemption to these limits as defined in the Annexes of Directive 2011/65/EU (RoHS2). Finished electrical and electronic equipment products will be CE marked as required by Directive 2011/65/EU. Components may not be CE marked. Additionally, the part numbers that TE has identified as EU ELV compliant have a maximum concentration of 0.1% by weight in homogenous materials for lead, hexavalent chromium, and mercury, and 0.01% for cadmium, or qualify for an exemption to these limits as defined in the Annexes of Directive 2000/53/EC (ELV). Regarding the REACH Regulation, the information TE provides on SVHC in articles for this part number is based on the latest European Chemicals Agency (ECHA) 'Guidance on requirements for substances in articles' posted at this URL: <https://echa.europa.eu/guidance-documents/guidance-on-reach>

**Compatible Parts**



**Customers Also Bought**



TE Part # 1624349-1  
NTC0805 5% 1K0

TE Part # 5584113003  
FLHTC0311-0.35-9

TE Part # 3822903005  
44A1131-20-2/4/6-9

TE Part # C906593001  
FLHTC0311-0.25-0

TE Part # 2079373003  
FLHTC0311-0.35-0

TE Part # 8924293003  
FLHTC0311-0.35-6

TE Part # 2201113001  
FLHTC0311-0.75-2

TE Part # ZPF000000000207286  
745-8404-12

TE Part # ZPF000000000207291  
746-8402-12

TE Part # ZPF000000000207284  
746-8403-12

## Documents

### Product Drawings

[FLHTC0311-0.35-2](#)

English

### Datasheets & Catalog Pages

[1654025\\_Sec9\\_FlexLite](#)

English