

## Carrier\_BT807042\_SOT23-3\_v LCP

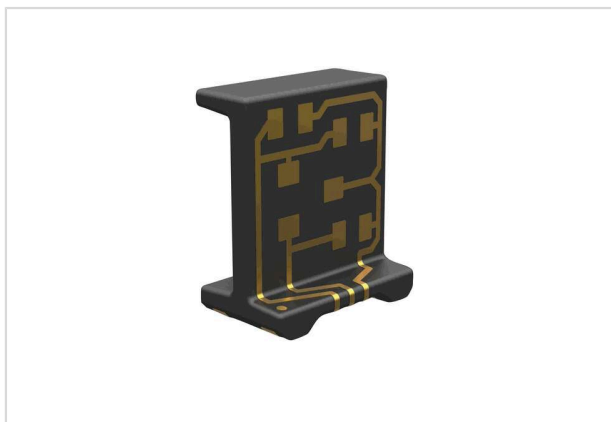


Image is for illustration purposes only. Please refer to product description.

Part number	78 01 030 0006
Specification	Carrier_BT807042_SOT23-3_v LCP
HARTING eCatalogue	<a href="https://b2b.harting.com/78010300006">https://b2b.harting.com/78010300006</a>

### Identification

Category	Surface Mount Device
Series	3D-MID
Element	Carrier for electronic components
Specification	Interconnection
Features	Other materials or trace layouts on request!

### Version

Fixing	PCB assembly (SMD)
Pack contents	Tape & reel 1200 pieces on reel Lower quantities available on request!

### Technical characteristics

Operating temperature	-40 ... +125 °C
Storage temperature	-40 ... +125 °C

### Material properties

Material	Liquid crystal polymer (LCP)
Surface (contacts)	Au ( $\geq 0.05 \mu\text{m}$ ) over Ni ( $\geq 4 \mu\text{m}$ ) over Cu (5...11 $\mu\text{m}$ )
Length	8 mm
Width	7 mm
Height	4.2 mm
RoHS	compliant
ELV status	compliant

## Material properties

China RoHS	e
REACH Annex XVII substances	Not contained
REACH ANNEX XIV substances	Not contained
REACH SVHC substances	Not contained
California Proposition 65 substances	Not contained

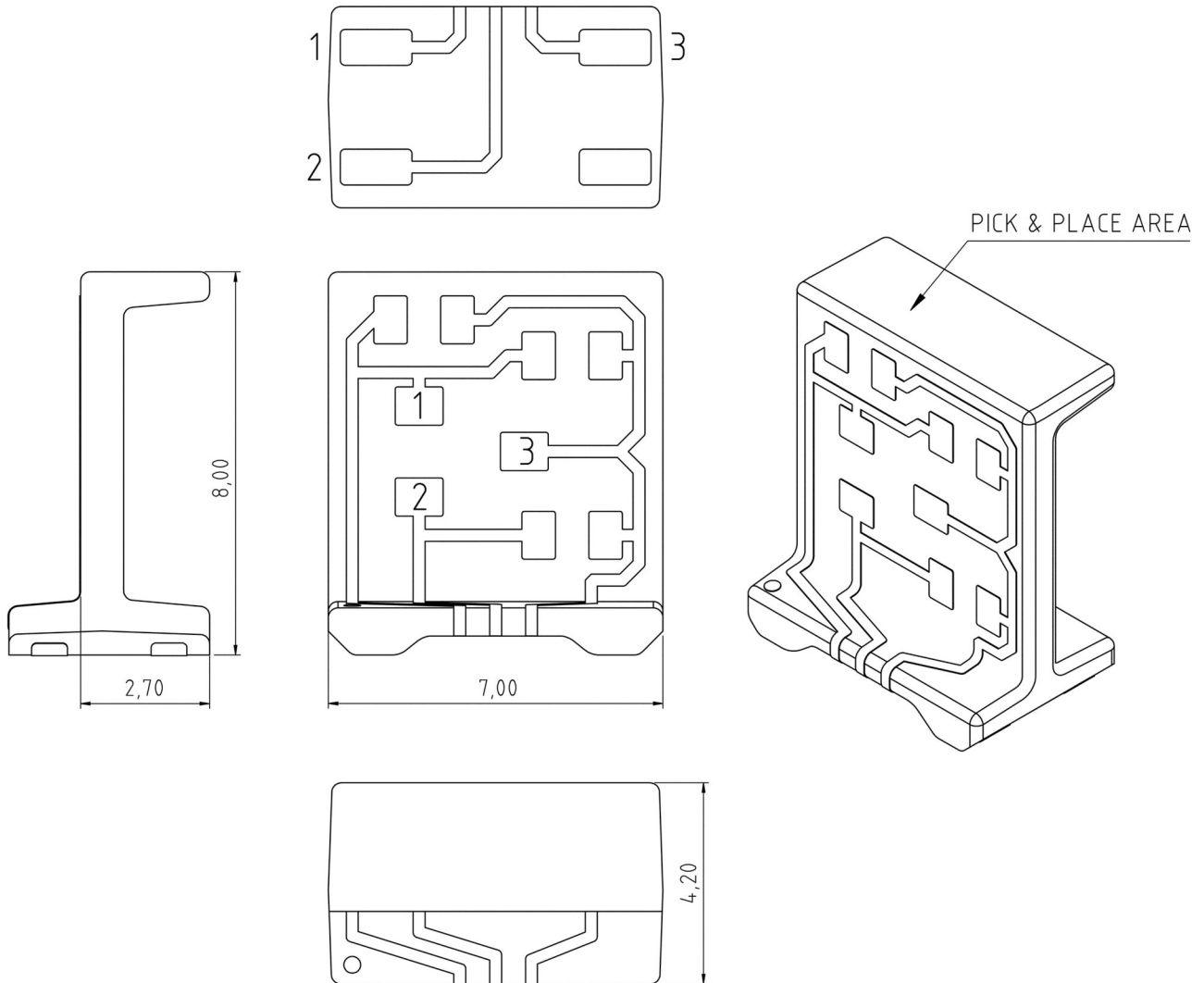
## Commercial data

Packaging size	600
Net weight	1.224 g
Country of origin	Switzerland
European customs tariff number	85389099
GTIN	5713140277397
ETIM	EC002637
eCl@ss	27469090 PCB connection technology (other, unspecified)

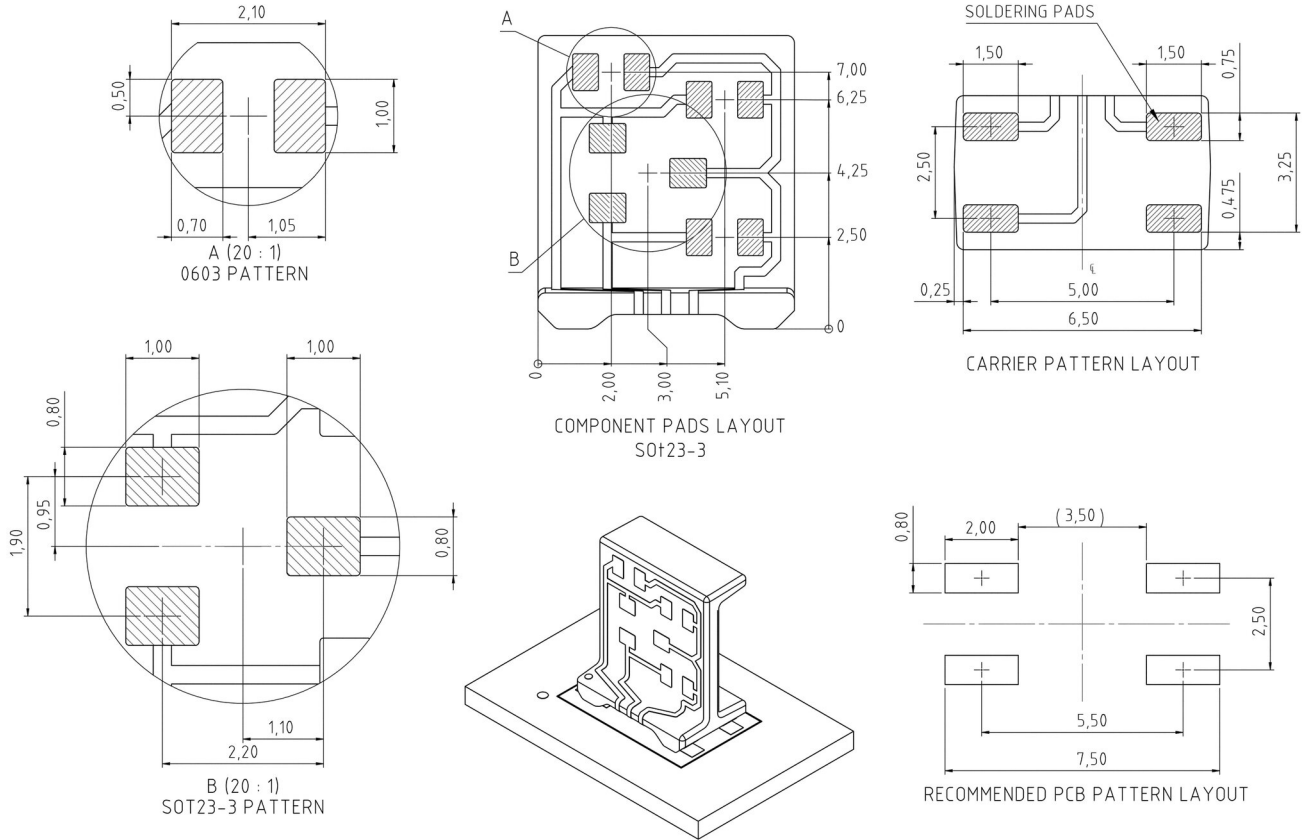
Other materials or trace layouts on request!



Drawing (dimensions in mm)



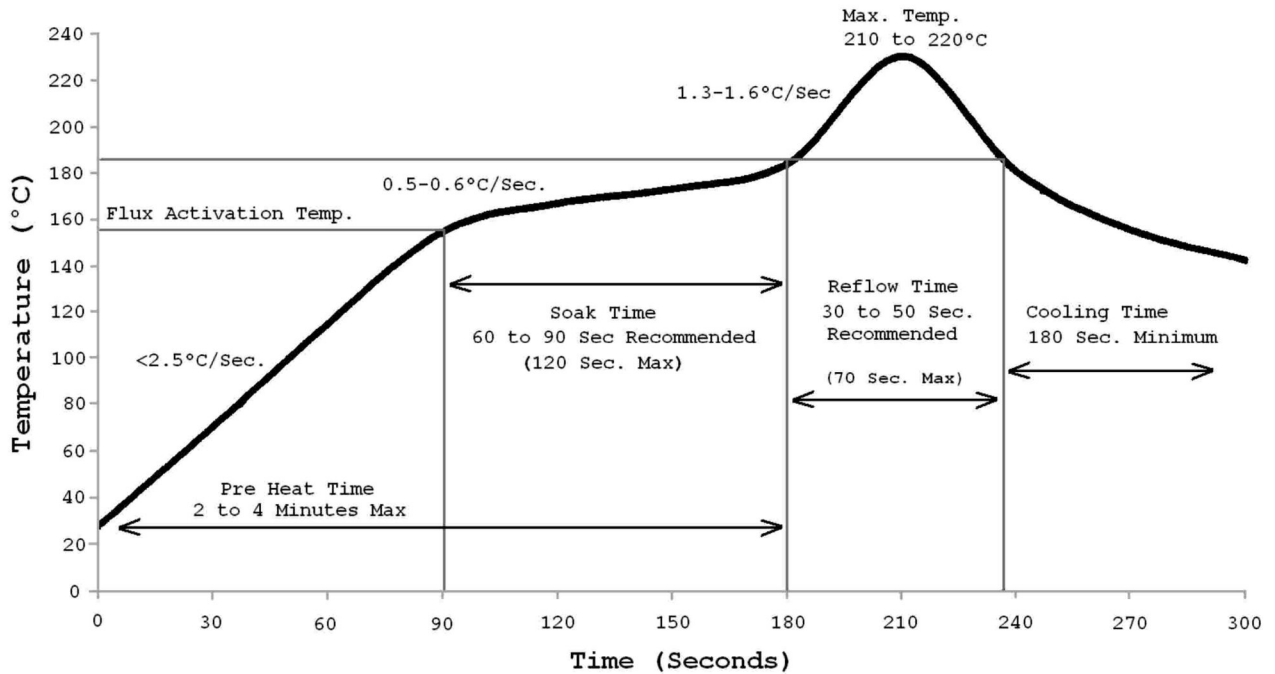
Drawing (dimensions in mm)



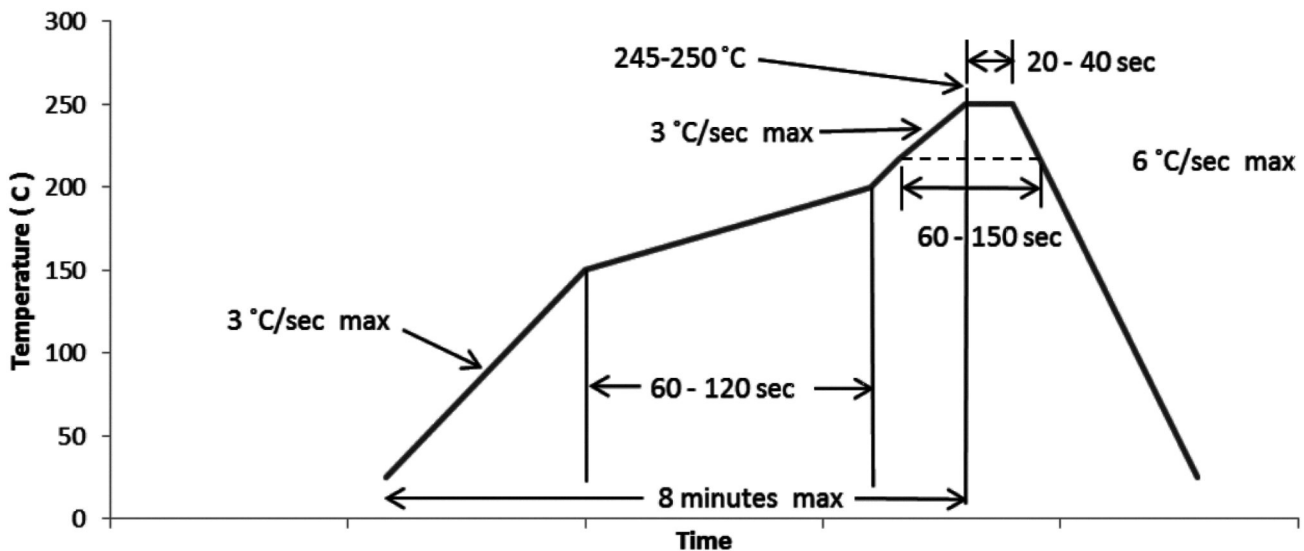


Pushing Performance  
 Since 1945

Soldering instructions



PB-free soldering profile  
 (J-STD-020C)





Pushing Performance  
Since 1945

Tape layout & packaging

