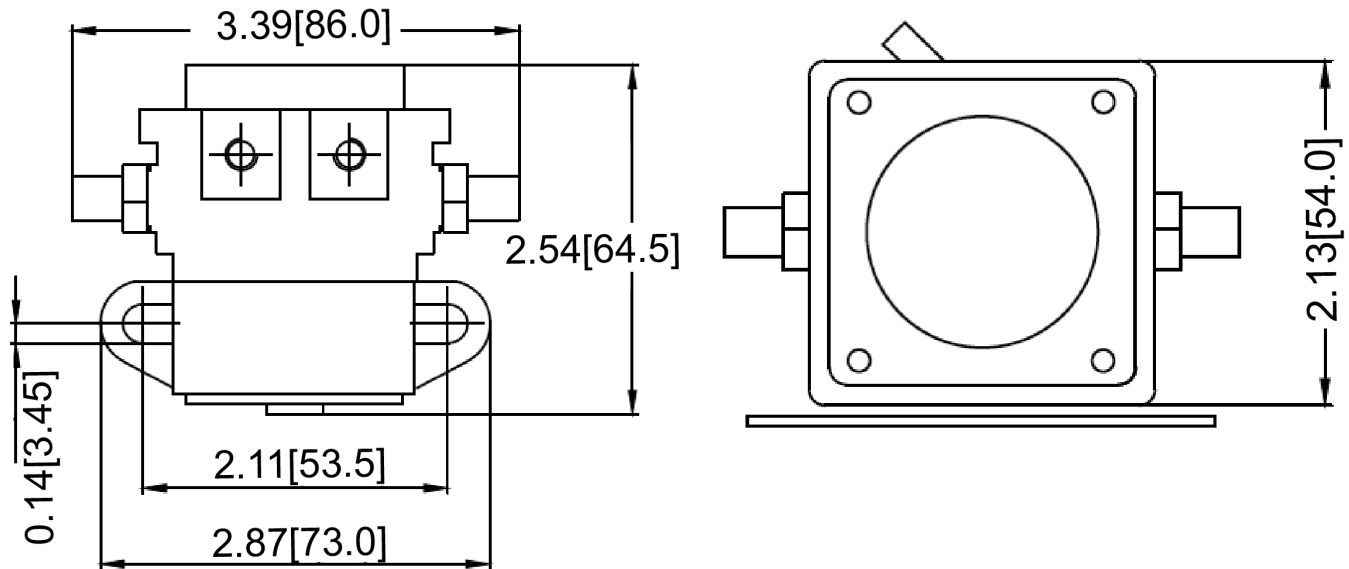


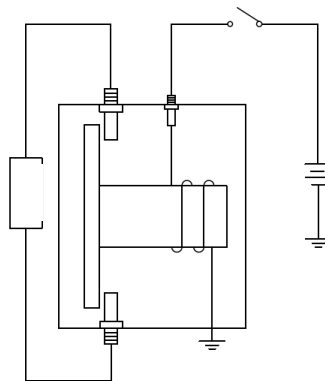
Mechanical Dimensions: Inches [mm]

Tolerances ± 0.012 [0.5] Unless Otherwise Specified



Circuit Diagram

Intermittent Duty. Grounded base



Electrical Specifications

Continuous Rating 12VDC 80A

Intermittent Current Rating (Make) 200A

Coil Resistance 4 ± 0.5 Ohms

Operating Voltage <10VDC

Release Voltage >2.4VDC

Material Specifications

Phenolic body

Copper terminals

5/16"-18 Thread terminals with lock washers

Mechanical Life 500,000

Electrical Life 50,000

Operation Temperature $-40^{\circ}\text{C} \sim 80^{\circ}\text{C}$

| Rev | Date of issue | Revision Notes | Designed | Approved |
|-----|---------------|-------------------------|----------|----------|
| C | 10-24-2023 | Updated Circuit Diagram | RC | OF |