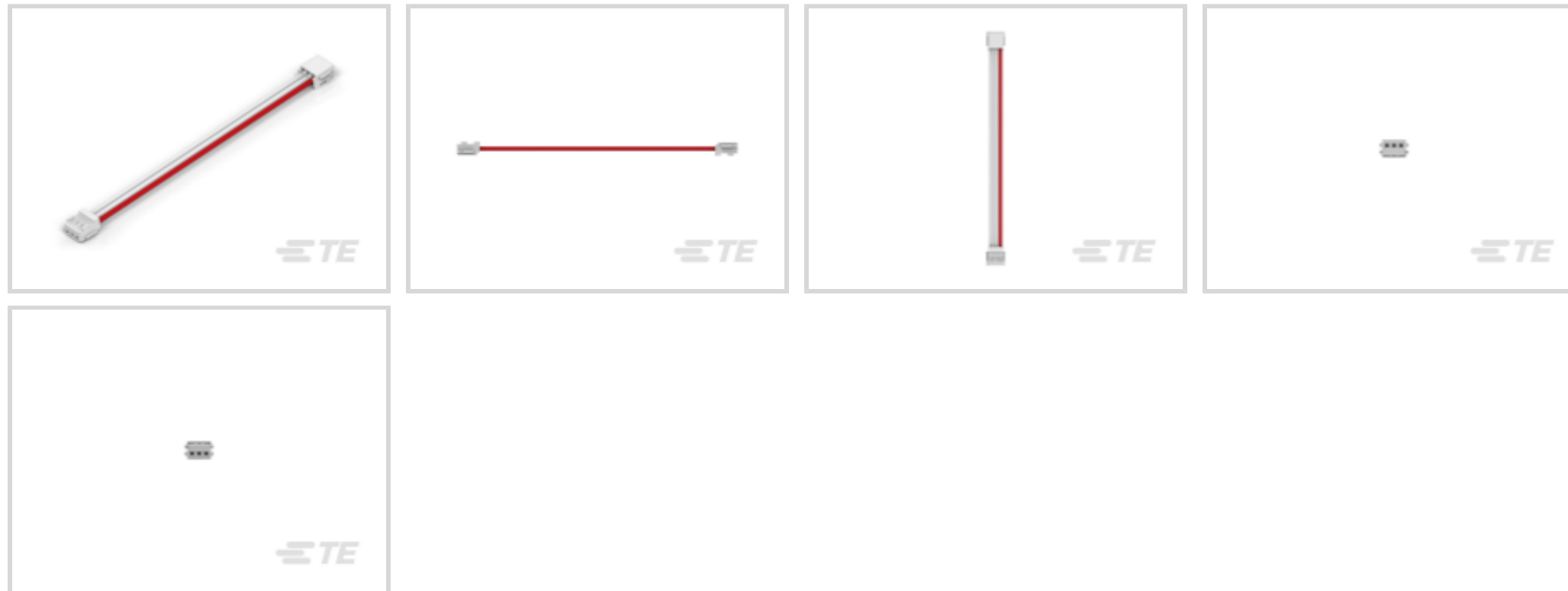




Connectors > Lighting Connectors > Street Lighting Controls > Street Lighting Power Management



Number of Positions: 3

Sealable: No

Features

Product Type Features

Sealable	No
----------	----

Configuration Features

Number of Positions	3
---------------------	---

Product Compliance

[For compliance documentation, visit the product page on TE.com>](#)

EU RoHS Directive 2011/65/EU	Compliant
EU ELV Directive 2000/53/EC	Compliant
China RoHS 2 Directive MIIT Order No 32, 2016	No Restricted Materials Above Threshold
EU REACH Regulation (EC) No. 1907/2006	Current ECHA Candidate List: JAN 2024 (240) Candidate List Declared Against: JAN 2024 (240) Does not contain REACH SVHC
Halogen Content	Not Low Halogen - contains Br or Cl > 900 ppm.
Solder Process Capability	Not applicable for solder process capability

Product Compliance Disclaimer

This information is provided based on reasonable inquiry of our suppliers and represents our current actual knowledge based on the information they provided. This information is subject to change. The part numbers that TE has identified as EU RoHS compliant have a maximum concentration of 0.1% by weight in homogenous materials for lead, hexavalent chromium, mercury, PBB, PBDE, DBP, BBP, DEHP, DIBP, and 0.01% for cadmium, or qualify for an exemption to these limits as defined in the Annexes of Directive 2011/65/EU (RoHS2). Finished electrical and electronic equipment products will be CE marked as required by Directive 2011/65/EU. Components may not be CE marked. Additionally, the part numbers that TE has identified as EU ELV compliant have a maximum concentration of 0.1% by weight in homogenous materials for lead, hexavalent chromium, and mercury, and 0.01% for cadmium, or qualify for an exemption to these limits as defined in the Annexes of Directive 2000/53/EC (ELV). Regarding the REACH Regulation, the information TE provides on SVHC in articles for this part number is based on the latest European Chemicals Agency (ECHA) 'Guidance on requirements for substances in articles' posted at this URL: <https://echa.europa.eu/guidance-documents/guidance-on-reach>

Compatible Parts



TE Part # 1-2314786-1
LUMAWISE N ENHANCED BASE, FM ON, ZC YES



TE Part # 1-2314786-2
LUMAWISE N ENHANCED BASE, FM OFF, ZC YES




TE Part # 2314786-2
LUMAWISE N ENHANCED BASE, FM OFF, ZC YES




TE Part # 2314786-1
LUMAWISE N ENHANCED BASE, FM ON, ZC YES

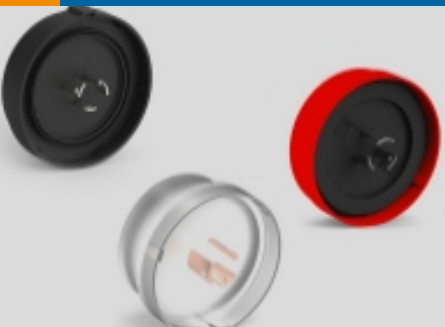
Also in the Series | LUMAWISE Endurance N




Street Lighting Accessories(18)



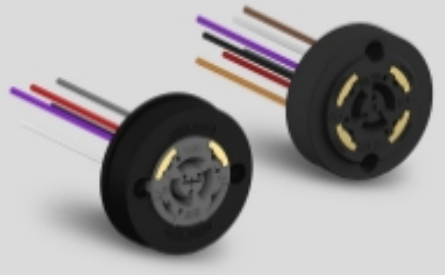
Street Lighting Base Assemblies(19)



Street Lighting Open & Shorting Caps (3)



Street Lighting Power Management(6)



Street Lighting Receptacles(25)

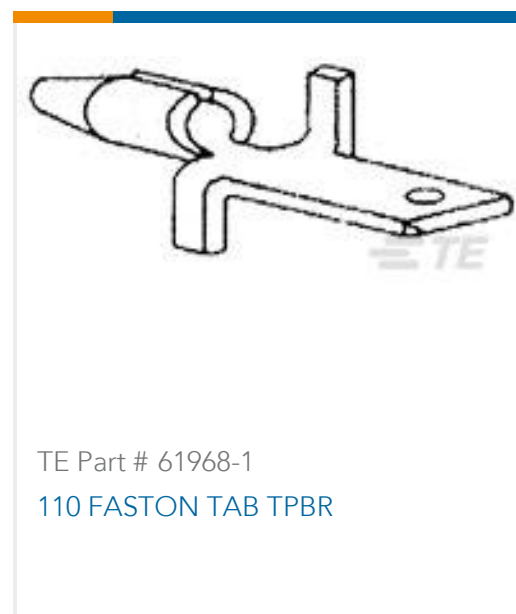
Customers Also Bought



TE Part # 2213871-2
LIGHT CONTROLLER BASE ASSY,
81MM DIA, 7 POS



TE Part # 2315539-1
COVER, LIGHT CONTROLLER, 81MM
DIA., 62MM



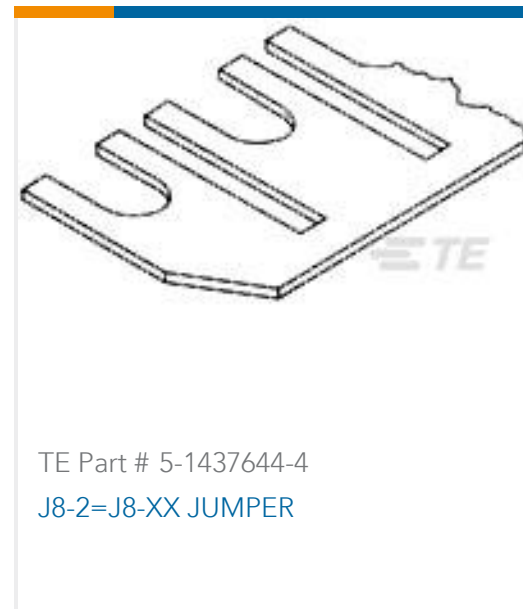
TE Part # 61968-1
110 FASTON TAB TPBR



TE Part # 1546670-8
8P .437" DR BARRIER, W/BND SCRW



TE Part # 1-1879502-4
CRGH2512 5% 47K 2W



TE Part # 5-1437644-4
J8-2=J8-XX JUMPER



TE Part # 5-2176327-3
CRGP 0805 220K 1%



TE Part # 2314786-1
LUMAWISE N ENHANCED BASE, FM
ON, ZC YES



TE Part # 7-2176421-2
TLRP 2512 2.0W R120 1% 50PPM 4K RL



TE Part # 2318044-1
CABLE ASSEMBLY, EB, SK5 POS EP
2P5

Documents

Product Drawings

[CABLE ASSEMBLY, EB, 3 POS MINICT](#)

English

Datasheets & Catalog Pages

[LUMAWISE STREET LIGHT DIMMING AND CONTROL QUICK REFERENCE GUIDE](#)

English

Product Specifications

[Application Specification](#)

English