

1

2

3

4

5

6

7

A

B

C

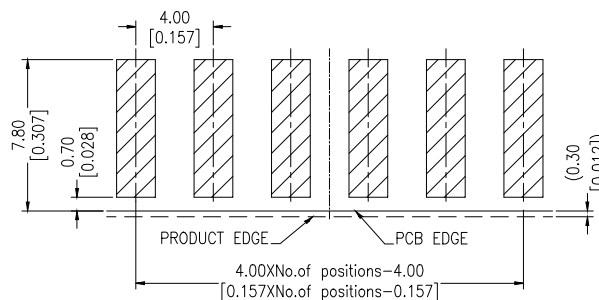
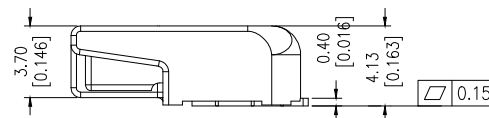
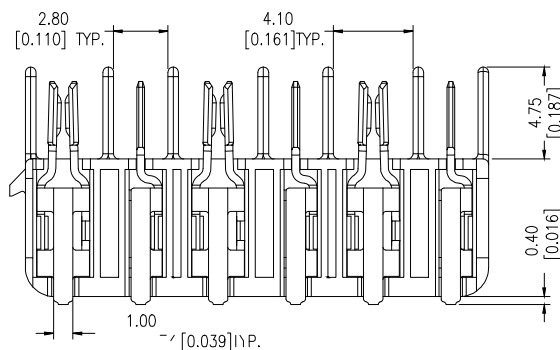
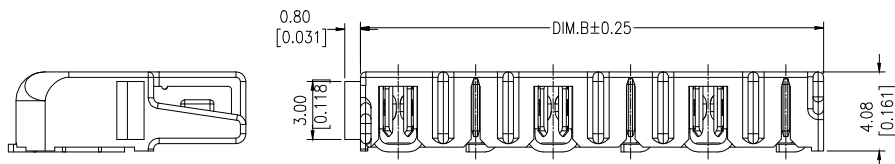
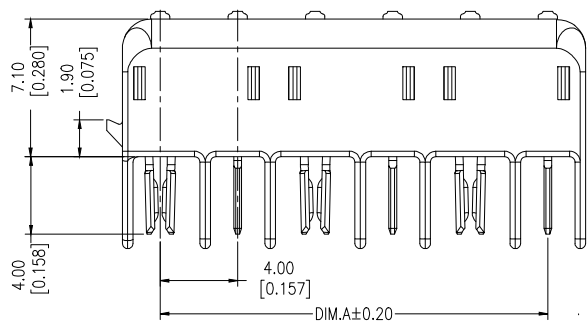
D

E

F

G

H



**Recommended P.C.B Layout (Top Side)**  
**(PCB BOARD TOLBRANC ± 0.05)**

**Notes:**

- Rated current: 6AMP
- Contact resistance: 18MΩ max.
- Withstand voltage: 1500V AC/DC
- Insulation resistance: 1000MΩ min.
- Operation temperature: -40°C to +105°C
- ③ Solder Temperature: 260°C, 5s

- ⑤ Contact material: Phosphor Bronze
- ⑤ Contact plating: Gold Flash or 100~200u" Matte Tin Plated over 50u" Nickel
- ① Insulator material: LCP+30%G.F UL94V-0

**⑤ ABTB-400-xx-SRx**

- 1 = White insulator&Tinned
- 2 = Black insulator&Tinned
- 3 = White insulator&Gold Flash

xx = pin count

No.Of PIN	DIM.A	DIM.B
02	4.00	7.90
04	12.00	15.90
06	20.00	23.90

**RoHS compliant**  
Unit: mm



File No.: E198287

Scale	Free	⑤	Add Gold Flash	23.06.2020	Winnie	Date	Name	Customer-No.
<b>TOLERANCE</b>		④	Add the UL File No.	27.07.2017	Winnie	Drawn	28.01.2016	ASSMANN WSW-No. ② ABTB-400-xx-SRx
.X	±0.40	③	Add and modify note	17.08.2016	Ray	Approved	23.06.2020	
.XX	±0.25	②	Add black color part	25.05.2016	Ray			Drawing-No.
.XXX	±0.15	①	Update the insulator color	13.04.2016	Ray			ASS 7120 CO
DIM	TOL	①	Update the insulator color	13.04.2016	Ray			
Angle	±1.5°	①	Drawn	28.01.2016	Ray			Replace
		Id.	Modification	Date	Name			Sheet



1

2

3

4

5

6

7