

1

2

3

4

5

6

7

A

B

C

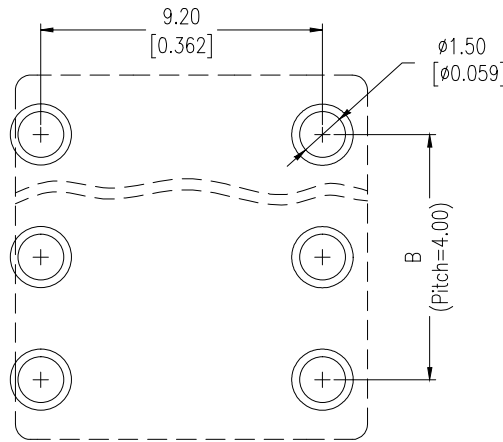
D

E

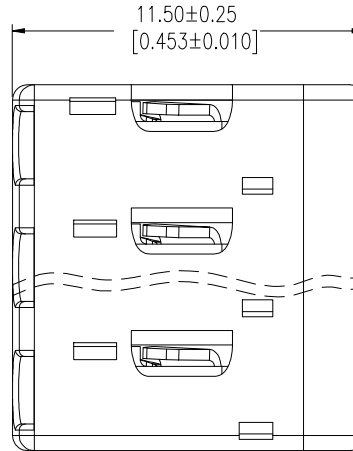
F

G

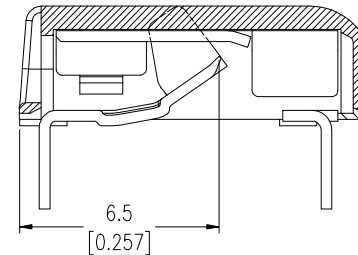
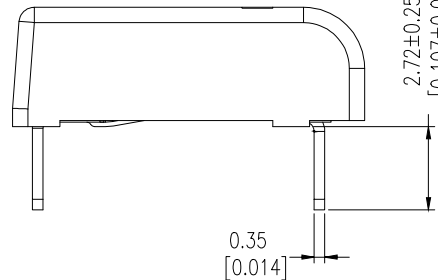
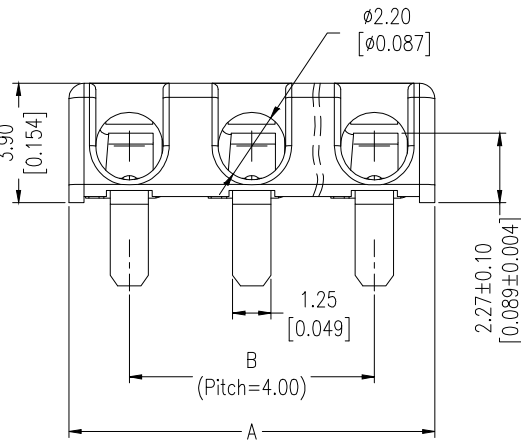
H



Recommended P.C.B Layout(Top Side)
(PCB BOARD TOLERANCE±0.05)



- ① Notes:
 Rated current: 3~9AMP
 Contact resistance: 20MΩ max.
 Withstand voltage: 500V AC
 Insulation resistance: 1000MΩ min.
 Operation temperature: -40°C to +105°C
 Solder Temperature: 260°C, 5s
 Application Wire Range:
 Solid Wire: AWG20~AWG18
 Strand Wire: AWG20~AWG18
- Contact material: Phosphor Bronze (C5191)
 Contact plating: 100~200u" Sn over 50u" Ni
- ③ Insulator material: LCP+30%GF UL 94 V-0 White Color



AWBR-400-xx-Rx1
 T = Tube
 R = T&R
 PIN COUNT

3	11.95	8.00
2	7.90	4.00
1	3.95	/
PIN	A	B

RoHS compliant
Unit: mm

② File No.: E198287

Scale	Free					Date	Name	Customer-No.
TOLERANCE						Drawn	25.07.2016	Ray
.X	±0.40	③	Add the insulator color	12.06.2019	Winnie	Approved	12.06.2019	Winnie
.XX	±0.25	②	Add the File No.	27.07.2017	Winnie			
.XXX	±0.15	①	Update note	25.07.2016	Ray			
DIM	TOL	①	Drawn	25.07.2016	Ray			
Angle	±1.5°							
		id.	Modification	Date	Name			

Customer-No.	
ASSMANN WSW-No. AWBR-400-xx-Rx1	
Drawing-No.	
ASS 7333 CO	rev03
Replace	Sheet

1

2

3

4

5

6

7