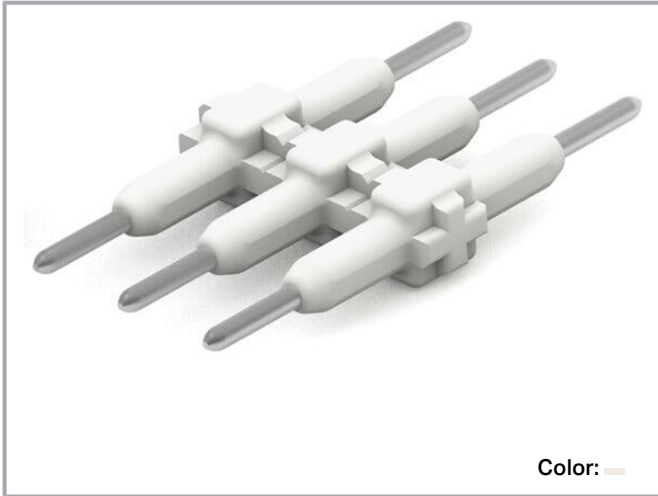


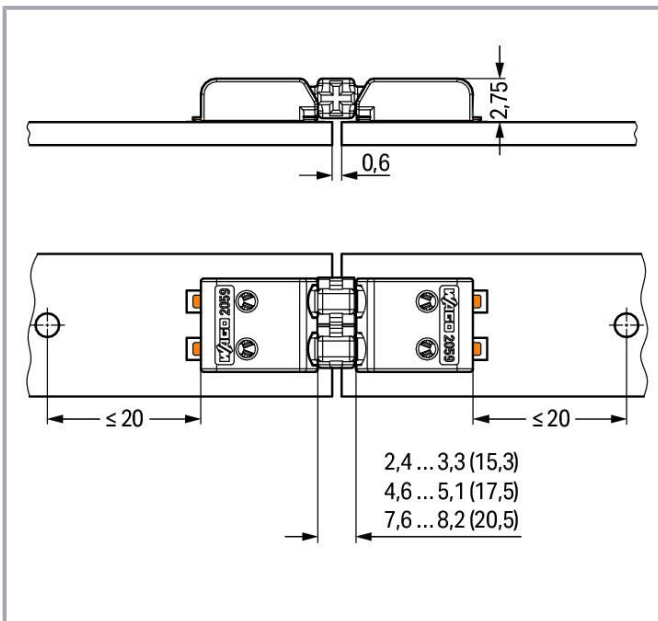
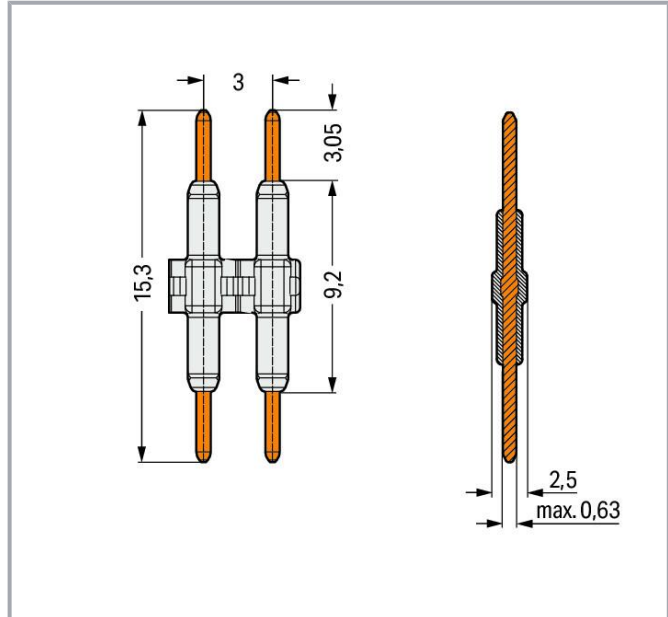
Data sheet | Item number: 2059-903

Board-to-Board Link; Pin spacing 3 mm; 3-pole; Length: 15.3 mm; white

[www.wago.com/2059-903](http://www.wago.com/2059-903)



Color: 



Subject to changes. Please also observe the further product documentation!

WAGO GmbH & Co. KG  
Hansastr. 27  
32423 Minden  
Phone: +49571 887-0 | Fax: +49571 887-169  
Email: [info.de@wago.com](mailto:info.de@wago.com) | Web: [www.wago.com](http://www.wago.com)

Do you have any questions about our products?  
We are always happy to take your call at +49 (571) 887-44222.



## Item description

- Board-to-board links simplify in-line assembly of LED modules
- Easy push-in connection and disconnection

## Data

### Electrical data

### Ratings per IEC/EN

Ratings per	IEC/EN 60664-1
Nominal voltage (III/3)	63 V
Rated impulse voltage (III/3)	2.5 kV
Rated voltage (III/2)	160 V
Rated impulse voltage (III/2)	2.5 kV
Nominal voltage (II/2)	320 V
Rated surge voltage (II/2)	2.5 kV
Rated current	3 A
Legend (ratings)	(III / 2) ≙ Overvoltage category III / Pollution degree 2

### Connection data

Total number of potentials	3
----------------------------	---

### Connection 1

Pole number	3
-------------	---

### Physical data

Pin spacing	3 mm / 0.118 inches
Width	8.7 mm / 0.343 inches
Height	2.5 mm / 0.098 inches
Depth	15.3 mm / 0.602 inches

### Mechanical data

Mating cycles (max.)	10
Number of mating cycles	10 connections/disconnections (max.)
Suitable	for SMD PCB terminal blocks (2059 Series)

Subject to changes. Please also observe the further product documentation!



## Material data

Note (material data)

Information on material specifications can be found here

Color	white
Material group	I
Insulation material	Polyamide (PA66)
Flammability class per UL94	V0
Contact material	Copper alloy
Contact plating	Silver
Fire load	0.002 MJ
Weight	0.2 g

## Environmental requirements

Limit temperature range	-60 ... +105 °C
-------------------------	-----------------

## Commercial data

eCl@ss 10.0	27-14-11-92
eCl@ss 9.0	27-14-11-92
ETIM 8.0	EC002848
ETIM 7.0	EC002848
ECCN	NO DATA
PU (SPU)	375 pcs
Packaging type	box
Country of origin	CN
GTIN	4055143610063
Customs tariff number	85369010000

## Environmental Product Compliance







RoHS Compliance Status	Compliant, No Exemption
------------------------	-------------------------

## Approvals / Certificates



### General approvals

Logo	Approval	Additional Approval Text	Certificate name
	CCA	EN 60947-7-4	NTR NL-

Subject to changes. Please also observe the further product documentation!

	DEKRA Certification B.V.		7819
	CCA DEKRA Certification B.V.	EN 60947-7-4	71- 111131
	CCA DEKRA Certification B.V.	EN 60838	NTR NL- 7720
	cURus Underwriters Laboratories Inc.	UL 1059	E45172
	KEMA/KEUR DEKRA Certification B.V.	EN 60838	71- 106226
	UL Underwriters Laboratories Inc.	UL 1977	E45171

### Counterpart

	Item no.2059-303/998-403 SMD PCB terminal block; 0,5 mm <sup>2</sup> ; Pin spacing 3 mm; 3-pole; PUSH WIRE®; in tape-and-reel packaging; 0,50 mm <sup>2</sup> ; white	<a href="http://www.wago.com/2059-303/998-403">www.wago.com/2059-303/998-403</a>
	Item no.2059-323/998-403 SMD PCB terminal block; 0,5 mm <sup>2</sup> ; Pin spacing 3 mm; 3-pole; PUSH WIRE®; in tape-and-reel packaging; 0,50 mm <sup>2</sup> ; black	<a href="http://www.wago.com/2059-323/998-403">www.wago.com/2059-323/998-403</a>

### Downloads

#### Documentation

#### Additional Information

Technical Section Technical explanations	2019 年4月3日	pdf 2.1 MB	Download
---	------------	---------------	----------

Subject to changes. Please also observe the further product documentation!

## CAD/CAE-Data

### CAD data

2D/3D Models 2059-903	<a href="#">URL</a>	<a href="#">Download</a>
-----------------------	---------------------	--------------------------

### CAE data

ZUKEN Portal 2059-903	<a href="#">URL</a>	<a href="#">Download</a>
-----------------------	---------------------	--------------------------

### Asset Administration Shell

Asset Administration Shell 2059-903	<a href="#">URL</a>	<a href="#">Download</a>
-------------------------------------	---------------------	--------------------------

## Environmental Product Compliance

### Compliance Search

Environmental Product Compliance 2059-903	<a href="#">URL</a>	<a href="#">Download</a>
---	---------------------	--------------------------

Board-to-Board Link; Pin spacing 3 mm; 3-pole; Length: 15.3 mm; white

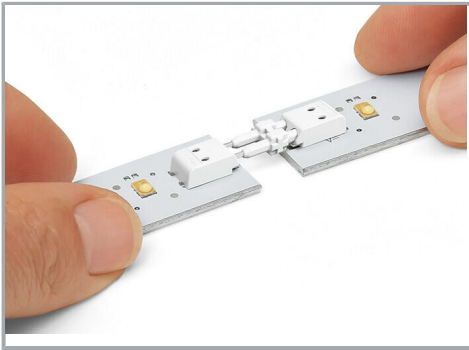
## Installation Notes

### Installation

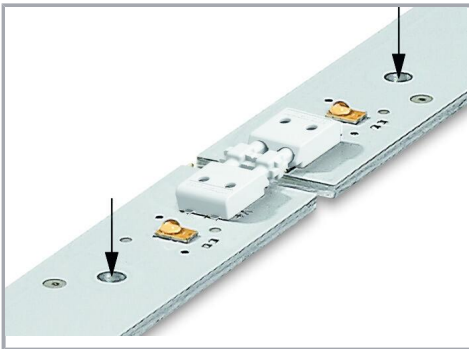


### Installation

Subject to changes. Please also observe the further product documentation!



### Installation



Subject to changes. Please also observe the further product documentation!