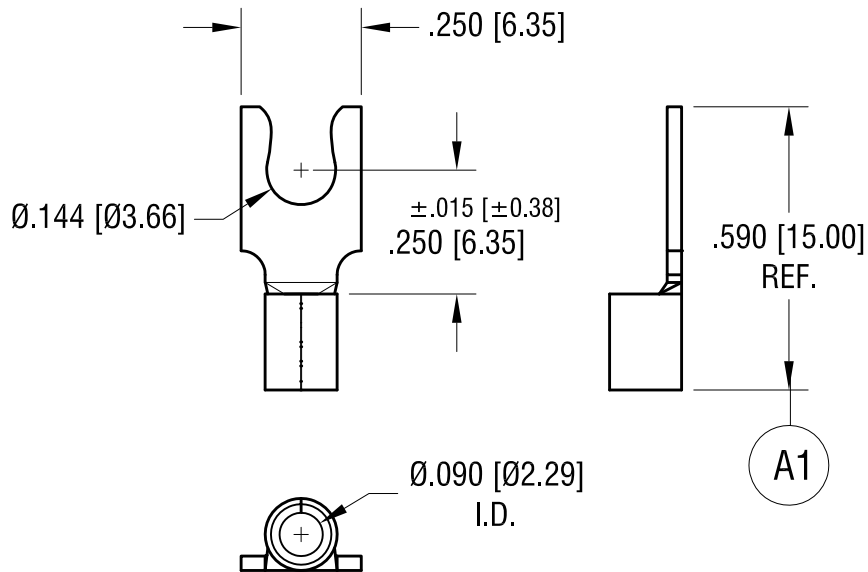


THIS DOCUMENT IS THE PROPERTY OF
KEYSTONE ELECTRONICS CORP. AND
SHALL NOT BE REPRODUCED, DISTRIBUTED
OR USED AS A BASIS FOR MANUFACTURE
WITHOUT PRIOR WRITTEN PERMISSION
FROM KEYSTONE ELECTRONICS CORP.

ACTUAL SIZE



NOTE:

1. ACCOMMODATES WIRE RANGE 16/14 AWG

7.18.23	UPDATE PER NEW TOOLING CHANGE AS PER ECN 23-124	B
2.15.22	(A1) WAS $.680 \pm .015$ CHANGE AS PER ECN 22-038	A
DATE	DESCRIPTION	REV.

KEYSTONE ELECTRONICS CORP.			
www.keyelco.com • NEW HYDE PARK, NY 11040 • Tel (516) 328-7500			
PART NAME		SNAP-SPADE TERMINAL, #6	
MATERIAL		.031 [0.78] TH'K COPPER	
FINISH		DRN BY	DATE
TIN PLATE		BOONE	11.05.07
		APP'D	SCALE
		RH	2X
TOLERANCES	INCH [MM]	CODE	DWG NO.
DECIMAL	$\pm .010$ [± 0.25]	C	8257
ANGULAR	$\pm 1^\circ$		
UNLESS OTHERWISE SPECIFIED			