

OWR-0860T-16

In-ear driver, full range

Available in a range of variants subjects to customers audio preference.

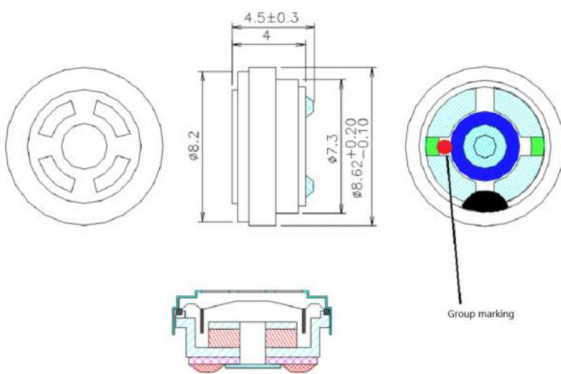


Characteristics

Size (ØxH) [mm]	9.0x4.5	
Sensitivity [dBSPL]	99.7±3dB	[dBSPL @1kHz, 1mW, 2cc]
Impedance [Ω]	16	
Power [W]	5.0 / 10.0	Free field
F0 [Hz]	3100	Free field
Termination	Terminals	

Specifications are subject to change without prior notice. Upon request Ole Wolff can supply further specifications, simulation parameters etc.

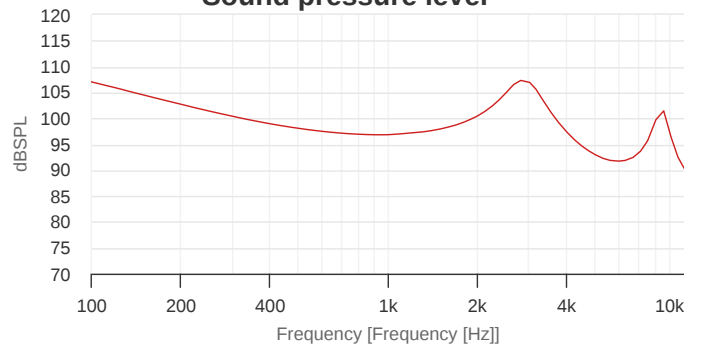
Mechanical drawing



Dimension are in mm, tolerance: ±0.3mm.



Sound pressure level



Total harmonic distortion

