

OWS-2067TA-4

Circular speaker

General speaker available for multiple applications. Doesn't require any sealed back cavity. Available with lead wires.



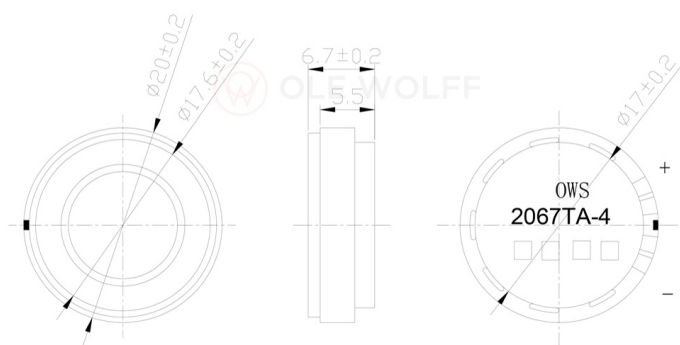
Characteristics

Size (ØxH) [mm]	20.0x6.7	
Sensitivity [dB SPL]	70.0±3 dB	1.0W/1.0m, free air
Impedance [Ω]	4	
Power [W]	2.0 / 2.2	nom / max
F0 [Hz]	1000	Free air
Termination	Terminals	

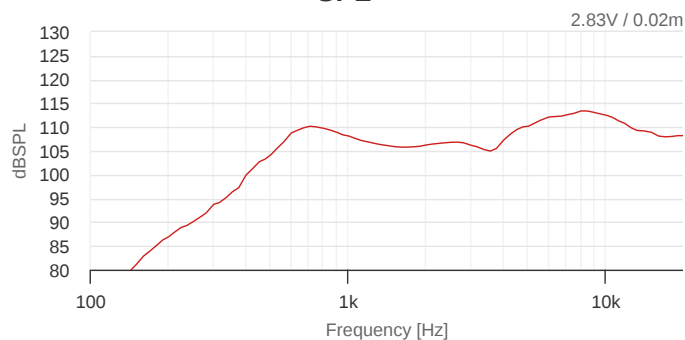
Specifications are subject to change without prior notice. Upon request Ole Wolff can supply further specifications, simulation parameters etc.

Mechanical drawing

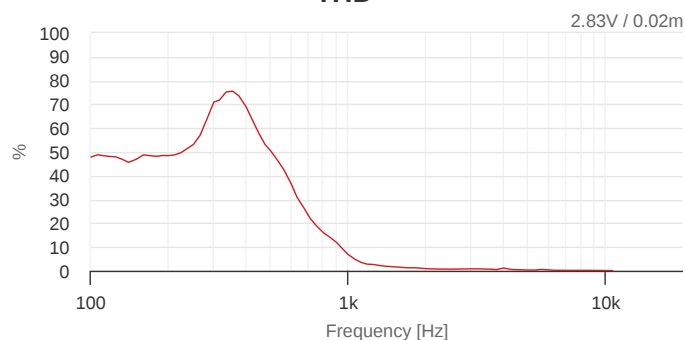
Unless otherwise specified, tolerance: ±0.2 (unit: mm)



SPL



THD



|Z|

