

OWS-5716TA-4C

High power micro speaker

Wide bandwidth high power micro speaker.



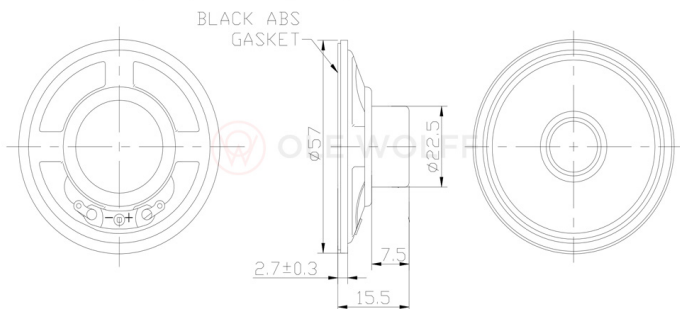
Characteristics

Size (ØxH) [mm]	57.0x16.5	
Sensitivity [dB SPL]	89.5±3 dB	1.0W/1.0m, free air
Impedance [Ω]	4	
Power [W]	2.0 / 3.0	Free air
F0 [Hz]	480	
Termination	Terminals	

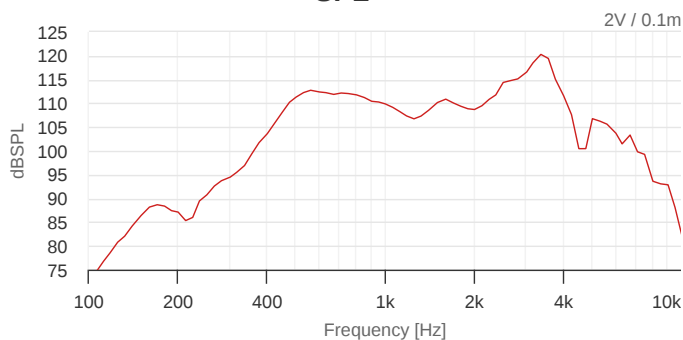
Specifications are subject to change without prior notice. Upon request Ole Wolff can supply further specifications, simulation parameters etc.

Mechanical drawing

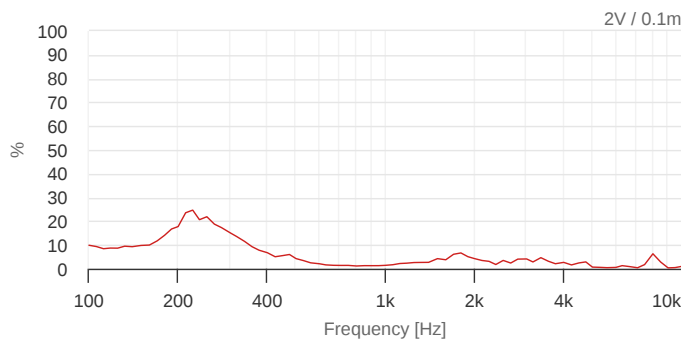
Unless otherwise specified, tolerance: ±0.3 (unit: mm)



SPL



THD



|Z|

