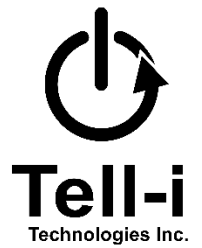


Voltage Clamping Sensor (VCS): VCS600V5Vx

x: the following symbol is used to resemble either t= through hole or s = SMD



Description

Tell-i Technologies' Voltage Clamp Sensor (VCS) is to measure the drain-to-source (MOSFET)/collector-to-emitter (IGBT) of semiconductor power devices with high resolution during ON-state. The VCS is designed to operate using single voltage supply of +5V.



Figure 1- VCS600V5Vt Overview

Features

- Low power consumption
- Input Voltage: 5V
- Up to 600V clamping voltage range
- Fast 50ns Rise time

Applications

- Health monitoring and prognostics
- GaN, SiC High Voltage Switching
- Dynamic $R_{DS(ON)}$ measurement
- Automotive
- Aerospace
- Artificial intelligence (AI)

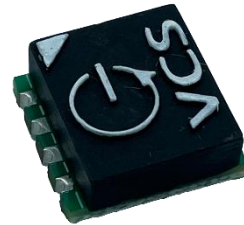


Figure 2 -VCS600V5Vs Overview

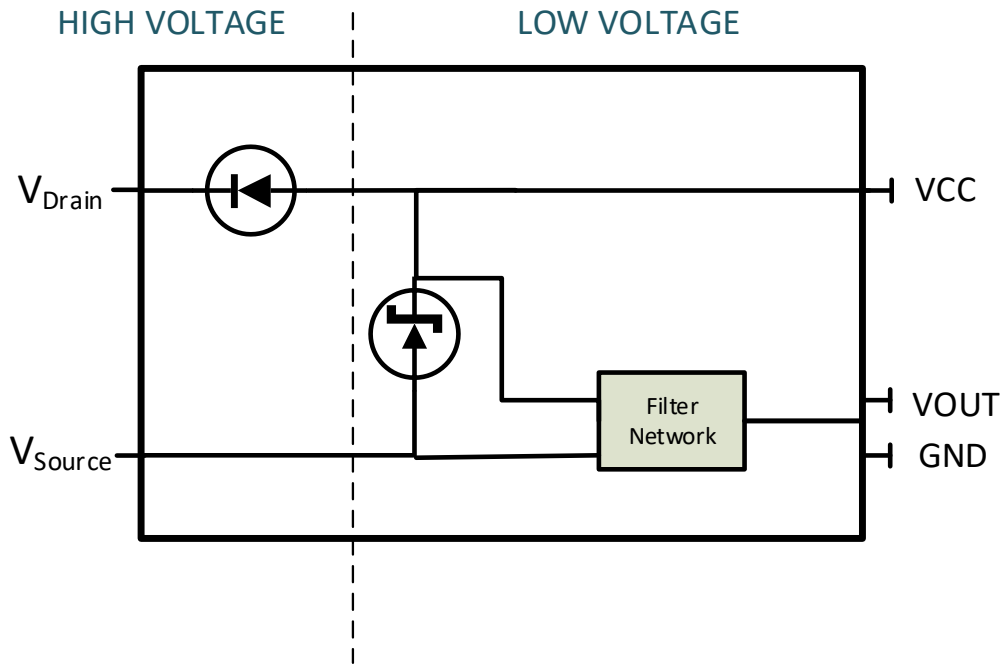
Specifications

Parameter	Conditions	Typ	Max	Unit
Supply Voltage (Vcc)	Operating	5	-	V
Supply Current		7.7	8	mA
Settling Time		50	100	ns
Off-State Voltage		4.7		V
On-State Voltage		TBD	-	V
V_{ds}/V_{ce} Voltage	Clamp max voltage	400	600	V
Operating Temperature	Case max temp.	25	80	°C

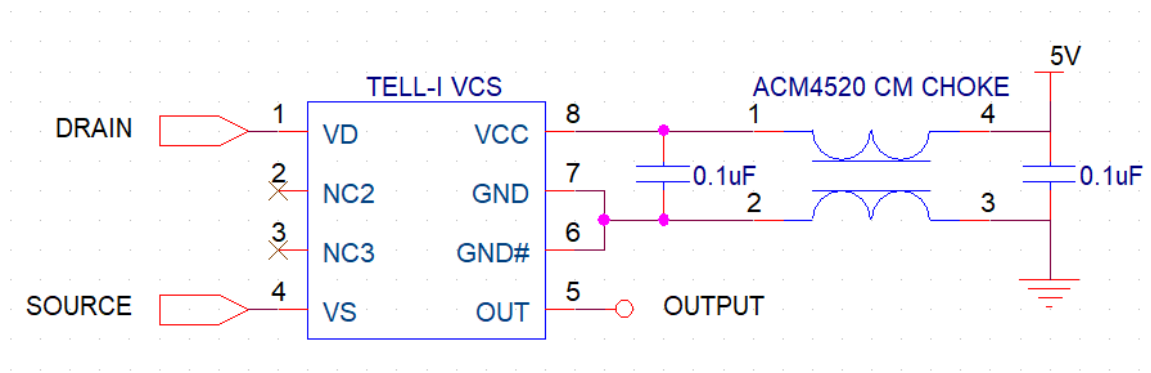
Clamper Circuit Overview

Clamper circuits are designed to change the DC limits of a signal to the desired level without changing the shape of the signal. Positive clampers are used to move and set the negative peak of a signal above 0V. Clampers are created using diodes and passive elements to clamp the high voltage potential from drain-to-source/collector-to-emitter voltages.

Functional Block Diagram



Typical Circuit



Application Example:

(DYNAMIC) $R_{DS(on)}$ CALCULATION USING VOLTAGE CLAMP SENSOR (VCS)

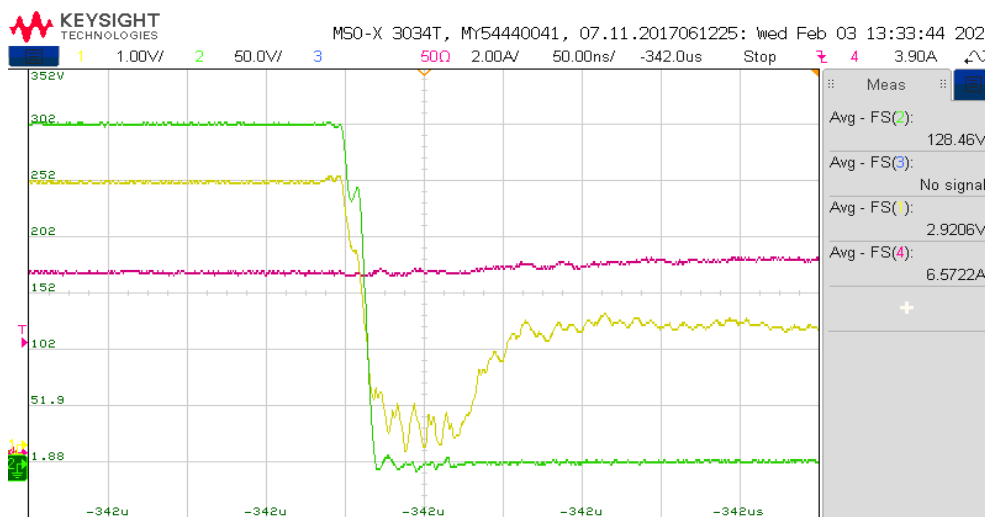
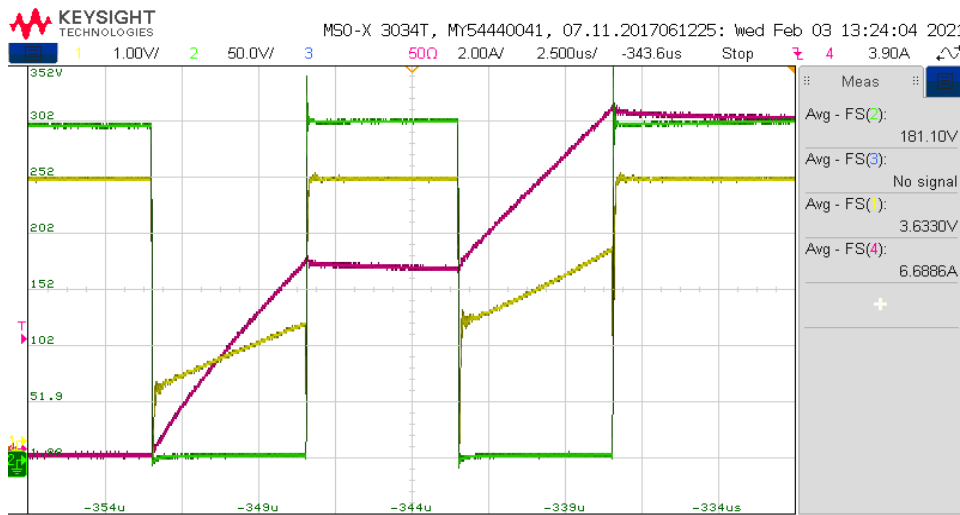
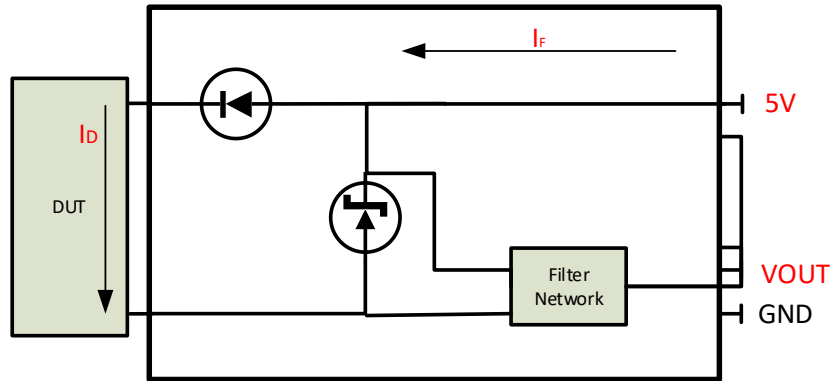


Figure: Double-pulse test: 300VDC, 6A. Green trace: Drain-Source Voltage. Yellow trace: Tell-i VCS output. Red trace: Inductor current. Tell-i VCS 'settlement time: <100nsec. The device under test: Cree/Wolfspeed 1200V SiC C2M0160120D.

The following steps to calculate dynamic $R_{DS(on)}$ using Tell-i's VCS is determined using the following characteristics. $V_{CC} = 5V$, $R = 100\Omega$, ambient temperature = $25^{\circ}C$.

On-state voltage:

$$V_{DS(on)} = V_{OUT} - V_F \dots (\text{Eq.1})$$

where V_F is the forward voltage drop on the clamping circuit diode. V_F can be simplified using the equation below:

$$V_F = 0.91 + (0.175I_F) \dots (\text{Eq.2})$$

where I_F is the forward diode current simplified using the equation below:

$$I_F = \frac{5V - V_{OUT}}{100} \dots (\text{Eq.3})$$

V_{OUT} can be measured by using a multimeter or reading the value from a microcontroller or an oscilloscope.

On-Resistance Calculation:

Once $V_{DS(on)}$ has been calculated, dynamic on-resistance can be calculated using Ohm's Law:

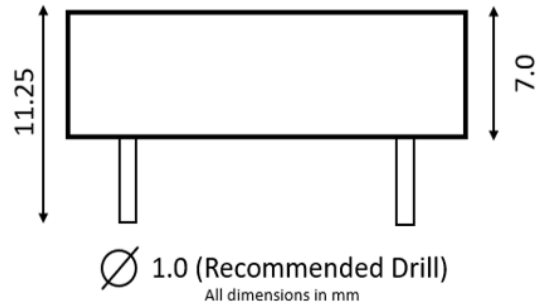
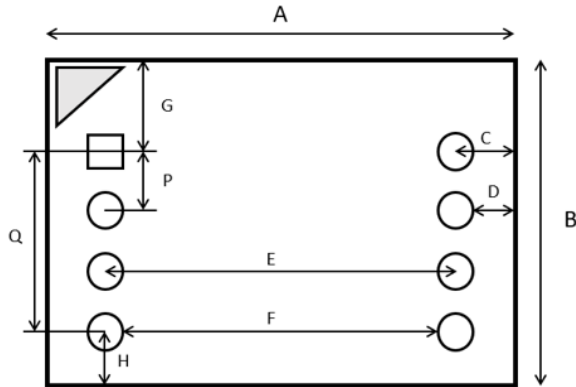
$$R_{DS(on)} = \frac{V_{DS(on)}}{I_D} \dots (\text{Eq.4})$$

where I_D is the current through the device under test (DUT).

NOTE: Ambient temperature can be assumed when the DUT is tested moderately and DUT $R_{DS(on)}$ is above $100m\Omega$. If the DUT is stress tested for long periods of time or $R_{DS(on)}$ is below $100m\Omega$, the clamping diode junction temperature will rise. This will lead to V_F value needing calibration. Contact Tell-i Technologies for calibration.

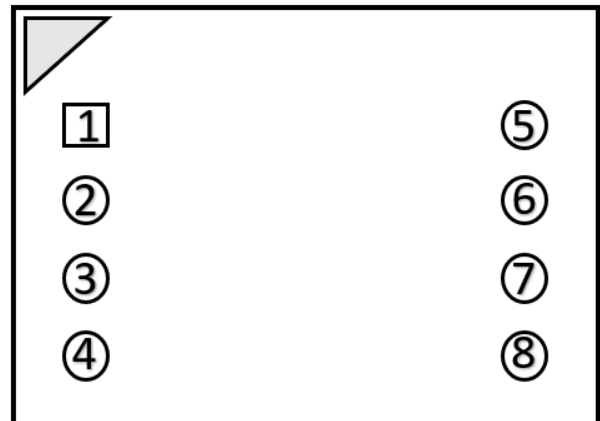
Pin Layout and Package Dimensions

VCS600V5Vt:



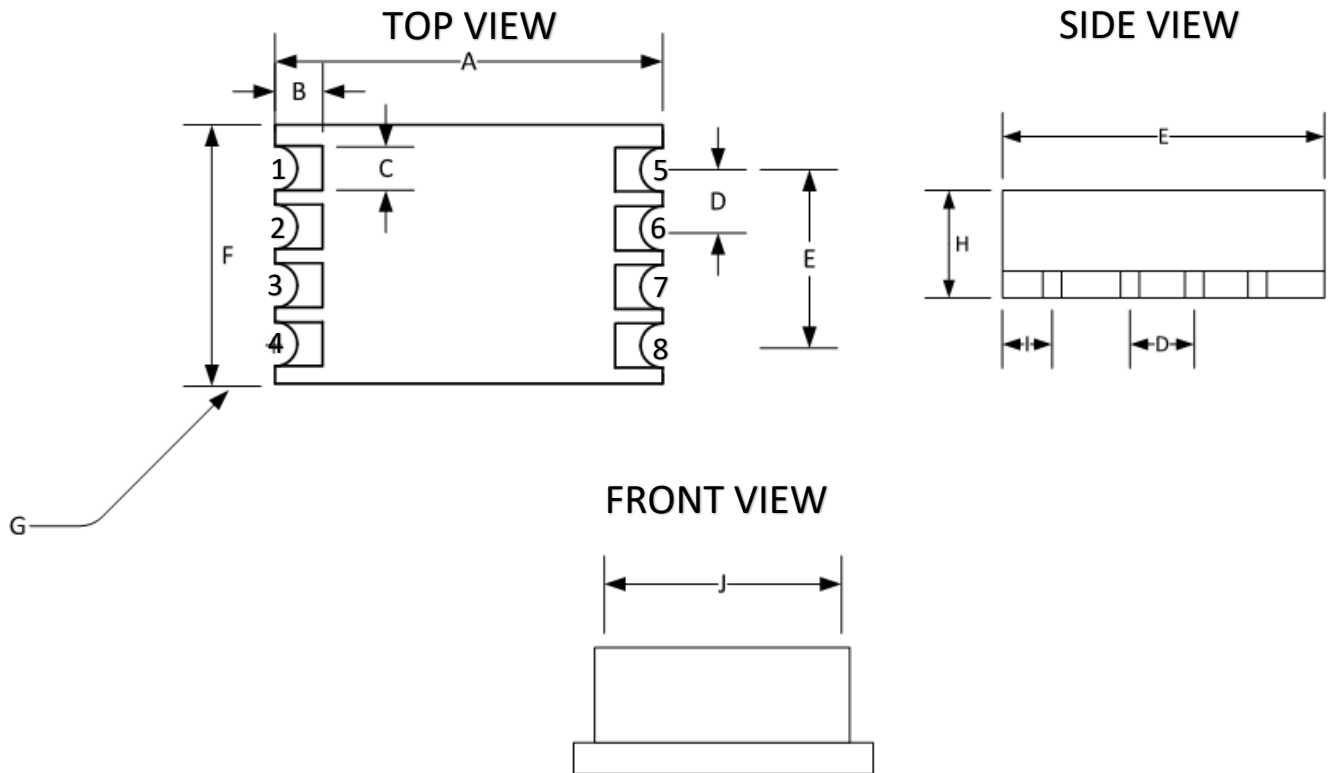
Index	Millimeter	Inches
A	24.00	0.945
B	18.923	0.745
C	3.048	0.120
D	2.032	0.080
E	17.907	0.705
F	15.875	0.625
G	6.147	0.242
H	5.131	0.202
P	2.54	0.100
Q	7.62	0.300

Pin Layout



Pin #	Pin Function
1, 2	V _{drain}
3, 4	V _{source}
5	OUTPUT
6, 7	GND
8	VCC

VCS600V5Vs:



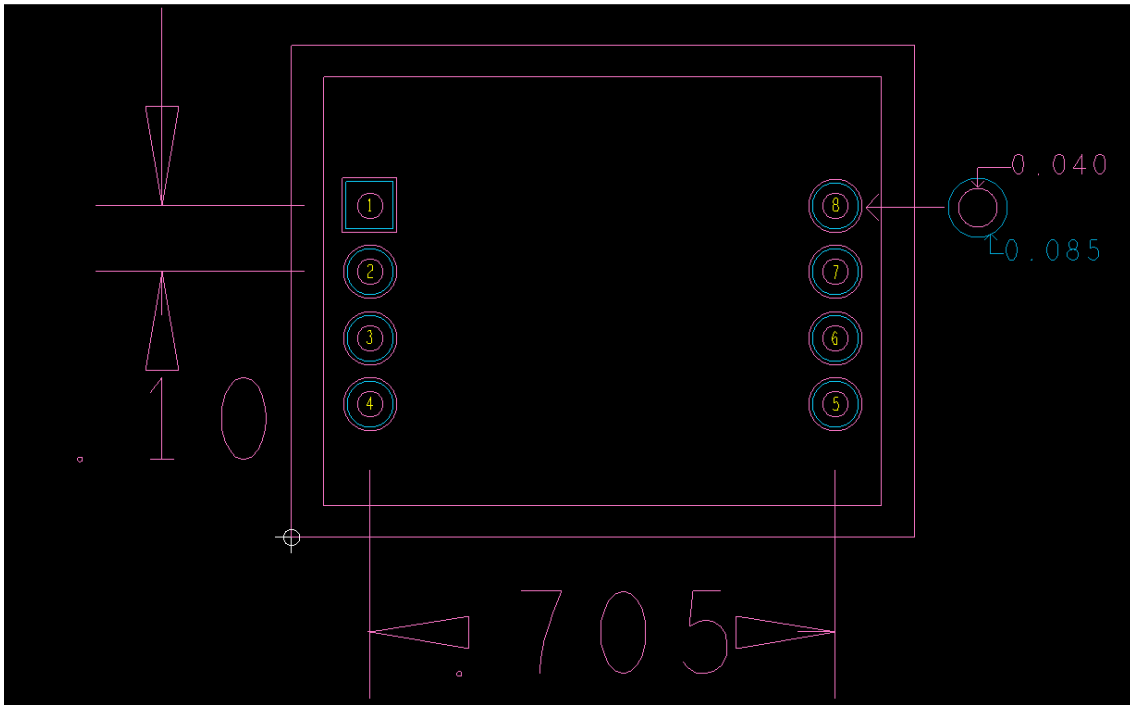
Index	Millimeter	Inches
A	13.06	0.514
B	1.02	0.040
C	1.27	0.050
D	2.54	0.100
E	7.62	0.300
F	12.7	0.500
G	1.02	0.040 \varnothing
H	29.21	1.150
I	2.54	0.100
J	10.92	0.430

Pin #	Pin Function
1, 2	V_{drain}
3, 4	V_{source}
5	OUTPUT
6, 7	GND
8	VCC

V_{Drain} and V_{Source} can be placed on right side of sensor. Contact Tell-i for more details.

PCB Footprint

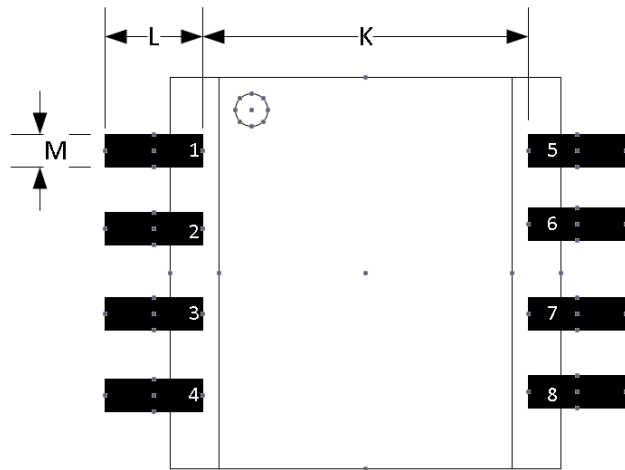
VCS600V5Vt:



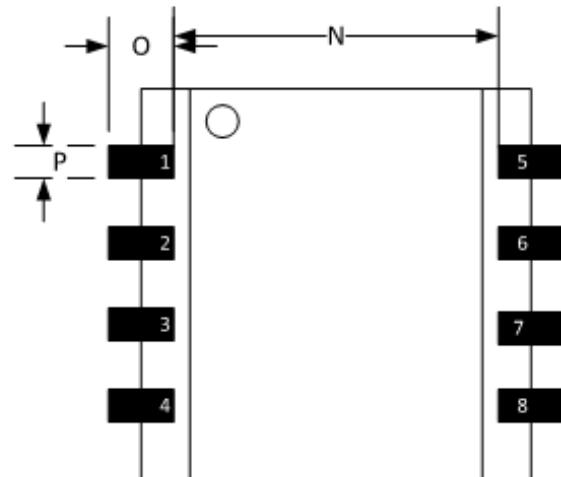
NOTE: If detailed dimensions are needed, contact Tell-i Technologies for more information.

VCS600V5Vs: Tell-i's VCS600V5Vt uses castellated holes to become an SMD component. The castellated holes are small and need specific PCB footprint for soldering. Recommendation of hand soldering and oven/reflow soldering is shown below.

Hand Soldering



Reflow Soldering



Index	Millimeters	Inches
K	10.92	0.430
L	1.52	0.060
M	1.27	0.050
N	10.92	0.430
O	2.29	0.090
P	1.27	0.050