



**LadyBug Technologies, LLC**

# **LB5940A**

**True-RMS Power Sensor**

# LB5940A Power Sensor



## Key PowerSensor+™ Specifications

- **Frequency Range: 1 MHz to 40 GHz**
- **Dynamic Range: -60 dBm to +26 dBm**
- **< 1.28:1 Typical VSWR**
- **2.87% Typical total RSS error @30 GHz**  
(See example on page 15 of this document)
- **Standard Connector 2.92mm Male**
- **RMS Responding & modulation independent**
- **Interfaces: USBTMC and USBHID - Optional SPI or I2C TTL**
- **Industry compatible IEEE 488.2 SCPI Command Set**
- **Command compatible with U2000 sensors**
- **Thermally Stable - no drift**
- **No User Zero required before use**
- **Compatible with Windows, LINUX & More**
- **Full dynamic range processed with each sample**
- **Optional unattended autonomous capability & measurement storage**

# LB5940A Power Sensor

LB5940A can be ordered with options including the LB956A ATE Mounting Bracket, Option A05 Secure USB cable, Option SPI (SPI & I2C Interface with Cable). Consult the LB5900 series sensor ordering guide.



LB956A ATE  
Mounting Bracket  
(Also shown with SPI Cable)

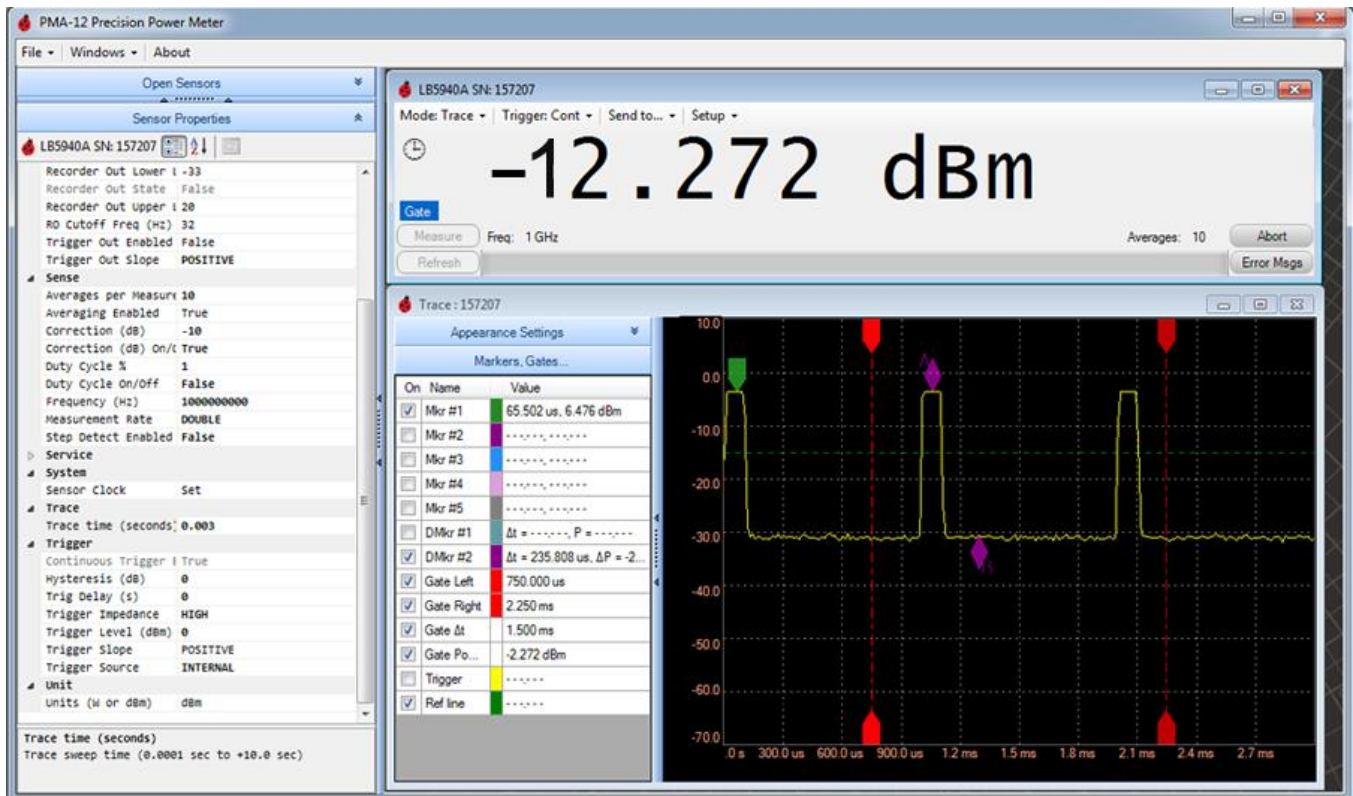


Secure  
USB Cable



SPI/I2C  
Demonstration  
Kit Available

Increased video bandwidth is available in trace mode. This allows a wide range of capabilities including markers and gates for visual analysis. The included PMA-12 software takes full advantage of these features. Trace mode is also available in ATE applications.



# LB5940A Power Sensor

## General Description

The LB5940A is a high accuracy True-RMS Power Sensor for general purpose use. The sensor utilizes a highly accurate, thermally stabilized, two path, RMS responding, square law diode detection scheme. The sensor makes accurate measurements on any signal regardless of its modulation bandwidth.

The sensor's patented thermally stable technology means that measurements do not drift and user zeroing & calibration before use are eliminated. Measurement interruption due to automatic calibration is also eliminated bolstering the performance and reliability of ATE systems. Unlike competitive sensors, it is never necessary to disconnect the source to zero your LB5900 series sensor.

LadyBug's PMA-12 Power Meter Software is included. The sensor is useful for research & development, manufacturing & service applications including radar, satellite, telecommunications, 802.11... testing, etc.

The sensor features the industry's most complete set of options for programmatic access and embedded applications. USB HID and USBTMC interfaces offer platform independent connectivity to most computers. The sensor utilizes standard SCPI commands and is compatible with competitive VISA IO libraries. Additionally, the sensors Persona capability allows emulation and compatibility with various VNA's, Spectrum Analyzers, Sources and ATE systems written for other sensors.

The sensor includes a rich set of triggering capabilities such as level controlled internal triggering, external triggering, delays, hold off and more.

Option SPI, SPI & I2C interfaces can be used for embedded applications, microprocessors and FPGA's;

Optional UOP, Unattended Operation can be set up and data collected through the sensors USB or SPI/I2C ports. Once measurements are set up, a computer or power meter is not required to operate the sensor making it ideal for unattended applications. A high accuracy real time clock included.

Optional Recorder (calibrated analog output) for leveling and control applications. If Option UOP has been purchased, Recorder Out can be used with no computer attached.

Option MIL prevents the sensor from accepting any writes to non-volatile memory assuring data security.

Option SEC, Secure Erase allows the user to erase all user set non-volatile memory including customer calibration, presets, offsets, FDO's (Frequency dependent offset) and UOP memory.

# LB5940A Power Sensor

LB5900 series sensors use PMA-12 Precision Power Meter software. The software allows users to make a wide variety of measurements from basic average power measurements to complex triggered measurements. Refer to the PMA-12 user's manual for further information.

In addition to PMA-12, LadyBug provides an interactive IO utility with source code, a Persona utility, plus a variety of programmatic code and support.



PMA-12 Precision Power Meter features include

- For use with LB5900 Series Power Sensors.
- Trace mode display includes gates, markers, triggering control and more.
- Software features are included with no registration requirement or fees.
- Software can be used as many computers as required without additional charge.
- Two sensor calculation window with calculations for Gain, Loss VSWR, Reflection Coefficient, Mismatch Loss, Return Loss.
- USB threading increases performance when using multiple sensors.
- Triggering control including setting Level, Delay, Slope, Hysteresis, Impedance, more.
- Tabular logging with file storage and retrieval.
- Strip Chart including scaling, pause, store, recall etc.
- Attractive Analog Gauge with damping control and sizing.
- Controls Option UOP (Unattended Operation) and Option 001 (Analog Recorder Out).
- Offset controls including simple offset and frequency dependent offset tables.
- Default and User Presets

# LB5940A Power Sensor

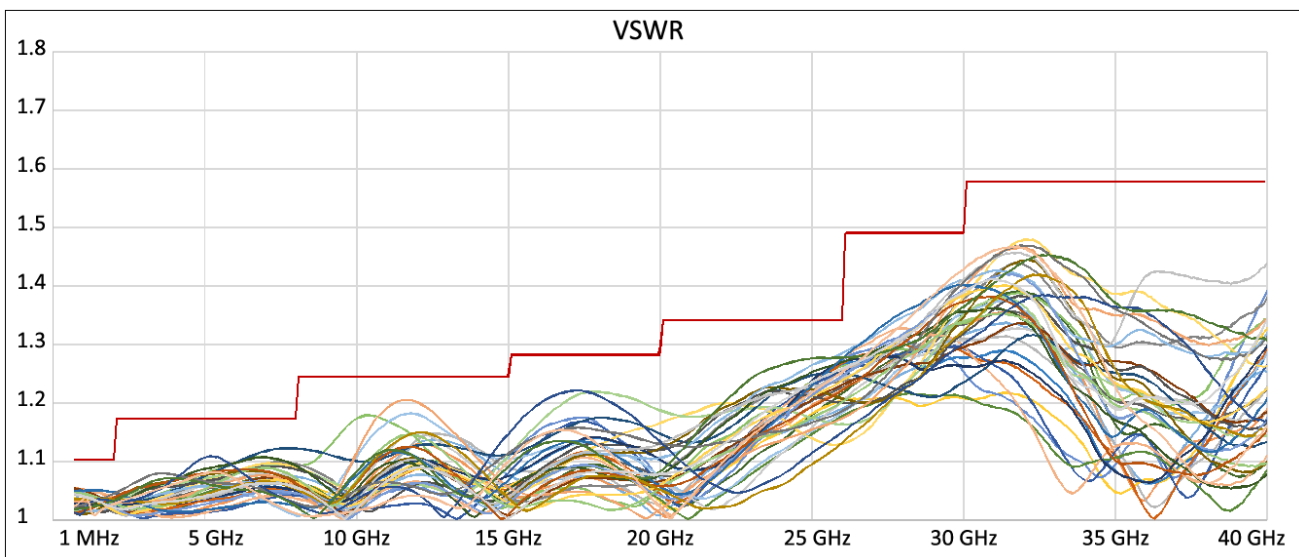
| Parameter                                    | Specification                             |                                |
|--|---|--------------------------------|
| Connector                                    | 2.92 mm Male                              |                                |
| Frequency Range                              | 1 MHz to 40 GHz                           |                                |
| Dynamic Range (Calibrated Measurement Range) | Average Mode (default) -60 dBm to +26 dBm |                                |
|  | Normal Mode -40 dBm to +26 dBm            | -45 dBm to +26 dBm (Typical)   |
| Maximum Power Level                          |   |                                |
| Continuous average power                     | +26 dBm (400 mW)                          | Damage Level: +29 dBm (800 mW) |
| Peak pulse power <sup>1</sup>                | +33 dBm (2 W)                             | Damage Level: +36 dBm (4 W)    |
| Maximum energy per pulse <sup>1</sup>        | 20 W-us                                   | Damage Level: 40 W-us          |
| Maximum DC input voltage                     | 16 VDC (On the RF Input)                  |                                |
| Recommended Calibration Cycle                | 1 year                                    |                                |

Note 1: Pulse repetition must respect average power over anyone pulse duty cycle, regardless of varying duty cycle.

## Accuracy (Total RSS Unc = $\sqrt{Mm^2+CF^2+L^2+N^2+T^2+Z^2}$ )

Mm (Mismatch); CF (Cal Factor); N (Noise); L (Linearity); T (Temperature); Z (Zero Offset). All uncertainty terms are converted to percentages for RSS calculation. 2 Use the following formula to determine Zero Offset uncertainty (%):  $Z = (\text{Zero Offset Power} / \text{Measured Power}) * 100$ . 3 Linearity and Zero Offset are measured as a combined specification as LadyBug sensors require no meter zeroing or reference calibration before use. Please refer to *Initial Stabilization Time* section for additional details.

| Parameter          | Specification | Typical   |
|--------------------|---------------|-----------|
| Match (2.92 mm)    |               |           |
| 1 MHz to 2 GHz     | 1.13 VSWR     | 1.05 VSWR |
| 2 GHz to 8 GHz     | 1.18 VSWR     | 1.07 VSWR |
| 8 GHz to 15 GHz    | 1.23 VSWR     | 1.09 VSWR |
| 15 GHz to 20 GHz   | 1.29 VSWR     | 1.1 VSWR  |
| 20 GHz to 26.5 GHz | 1.35 VSWR     | 1.22 VSWR |
| 26.5 GHz to 30 GHz | 1.49 VSWR     | 1.28 VSWR |
| 30 GHz to 40 GHz   | 1.58 VSWR     | 1.28 VSWR |



Match (VSWR) Specification Maximum (red line)  
Typical Production Test Data

# LB5940A Power Sensor

| Parameter  | Specification              | Typical |
|--|----------------------------|---------|
| Calibration Factor Unc. <sup>1</sup><br>(2.92 mm Male) | K=2 (K is coverage factor) | K=1     |
| 5 MHz to 2 GHz   | 2.23%                      | 1.12%   |
| 2 GHz to 10 GHz  | 2.45%                      | 1.23%   |
| 10 GHz to 18 GHz                                       | 2.85%                      | 1.43%   |
| 18 GHz to 26.5 GHz                                     | 2.9%                       | 1.45%   |
| 26.5 GHz to 30 GHz                                     | 3.42%                      | 1.71%   |
| 30 GHz to 40 GHz                                       | 3.9%                       | 1.95%   |
| Linearity Unc. <sup>2</sup>                            |                            |         |
| +10 dBm to +20 dBm                                     | 3.0%                       | 1.0%    |
| -10 dBm to +10 dBm                                     | 2.0%                       | 0.5%    |
| -20 dBm to -10 dBm                                     | 3.5%                       | 1.5%    |
| -60 dBm to -20 dBm                                     | 2.0%                       | 0.5%    |

Calibration Factor and Linearity notes:

1. For Normal Mode add 1%
2. For Normal Mode add 1.5%

| Parameter                                 | Specification   | Typical   |
|---|---|---|
| Zero Offset <sup>1,2</sup> (Average Mode) | $\{[(1.0\text{nW @ } 25^\circ\text{C}) +  \Delta T  \times (0.075\text{nW}/^\circ\text{C})] \pm 0.01\text{nW /month}\}$ | $\{[(0.5\text{nW @ } 25^\circ\text{C}) +  \Delta T  \times (0.0375\text{nW}/^\circ\text{C})] \pm 0.005\text{nW /month}\}$ |
| Zero Offset <sup>1,2</sup> (Normal Mode)  | 50 nW +/- 1 nW/month  | 25 nW +/- 1 nW/month  |

Zero Offset Notes

1. Use the following formula to determine Zero Offset uncertainty (%):  $Z = (\text{Zero Offset Power} / \text{Measured Power}) * 100$ .
2. Linearity and Zero Offset are measured as a combined specification as LadyBug sensors require no meter zeroing or reference calibration before use.

# LB5940A Power Sensor

| Parameter                                 | Specification      | Typical                      |
|---|--------------------|------------------------------|
| Average Mode Noise <sup>1,2</sup>         |                    |                              |
| -40 dBm to +26 dBm <sup>3</sup>           | 0.35%              | 0.025% to 0.15% <sup>4</sup> |
| -60 dBm to -40 dBm                        | 0.5nW <sup>5</sup> | 0.2nW <sup>6</sup>           |
| Normal Mode Noise 2ms Gate <sup>1,7</sup> |                    |                              |
| +10 dBm to +26 dBm                        | 0.35%              | 0.15%                        |
| 0 dBm to +10 dBm                          | 0.5%               | 0.25%                        |
| -8 dBm to 0 dBm                           | 1.0%               | 0.5%                         |
| -25 dBm to -8 dBm                         | 1.5%               | 0.75%                        |
| -38 dBm to -25 dBm                        | 28 nW              | 20 nW                        |
| -45 dBm to -38 dBm                        | 95 nW              | 50 nW                        |
| Normal Mode Noise 1us Gate <sup>8</sup>   |                    |                              |
| +10 dBm to +26 dBm                        | 0.45%              | 0.18%                        |
| 0 dBm to +10 dBm                          | 3%                 | 2%                           |
| -38 dBm to 0 dBm                          | 8.5%               | 1% to 4%                     |

## Noise notes:

- Noise is two times the standard deviation of 100 measurement points
- Number of Averages for each measurement rate  
Normal 16; Double 32; Super 384
- For Normal measurement rate, when averages above 16 and power is above -40 dBm noise error is insignificant
- Varies with power level
- Noise is determined by multiplying the value by  $4/\sqrt{\text{Normal measurement rate averages}}$   
Example 1(Specification): For 1024 Averages noise is less than  $0.5\text{nW} * (4/\sqrt{1024}) = 0.063\text{nW}$   
Example 2(Specification): For 128 Averages noise is less than  $0.5\text{nW} * (4/\sqrt{128}) = 0.18\text{nW}$
- Noise is determined by multiplying the value by  $4/\sqrt{\text{Normal measurement rate averages}}$   
Example 1(Typical): For 1024 Averages noise is less than  $0.2\text{nW} * (4/\sqrt{1024}) = 0.025\text{nW}$   
Example 2(Typical): For 128 Averages noise is less than  $0.2\text{nW} * (4/\sqrt{128}) = 0.071\text{nW}$
- Auto Range ON
- Noise is two times the standard deviation of a 10,000 point time domain trace taken at maximum time domain resolution. One sample per point.

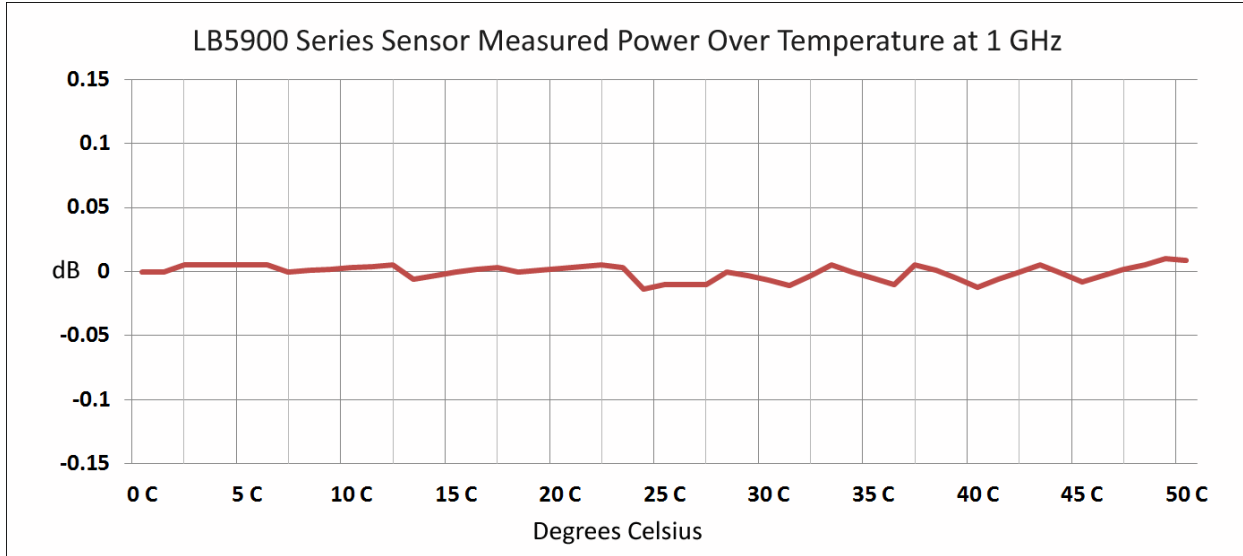
| Parameter                      | Specification | Typical |
|--------------------------------|---------------|---------|
| Temperature Unc (Average Mode) |               |         |
| 40°C - 55°C                    | 2.5%          | 0.5%    |
| 30°C - 40°C                    | 0.5%          | 0%      |
| 20°C - 30°C                    | 0%            | 0%      |
| 10°C - 20°C                    | 0.5%          | 0%      |
| 0°C - 10°C                     | 2.5%          | 0.5%    |
| Temperature Unc (Normal Mode)  |               |         |
| 20°C - 30°C                    | 0%            | 0%      |



# LB5940A Power Sensor

## Thermal Stability

LadyBug's patented thermal stability technology is utilized in the LB5940A sensor. Measurements remain stable over the entire operating temperature range. No user intervention, zeroing or calibration is required. This patented process also defines the zero-power conditions and eliminates zeroing requirements. Measurements are not interrupted for zeroing or calibration.



## Average Detector Mode Measurement Rate (MRAT)

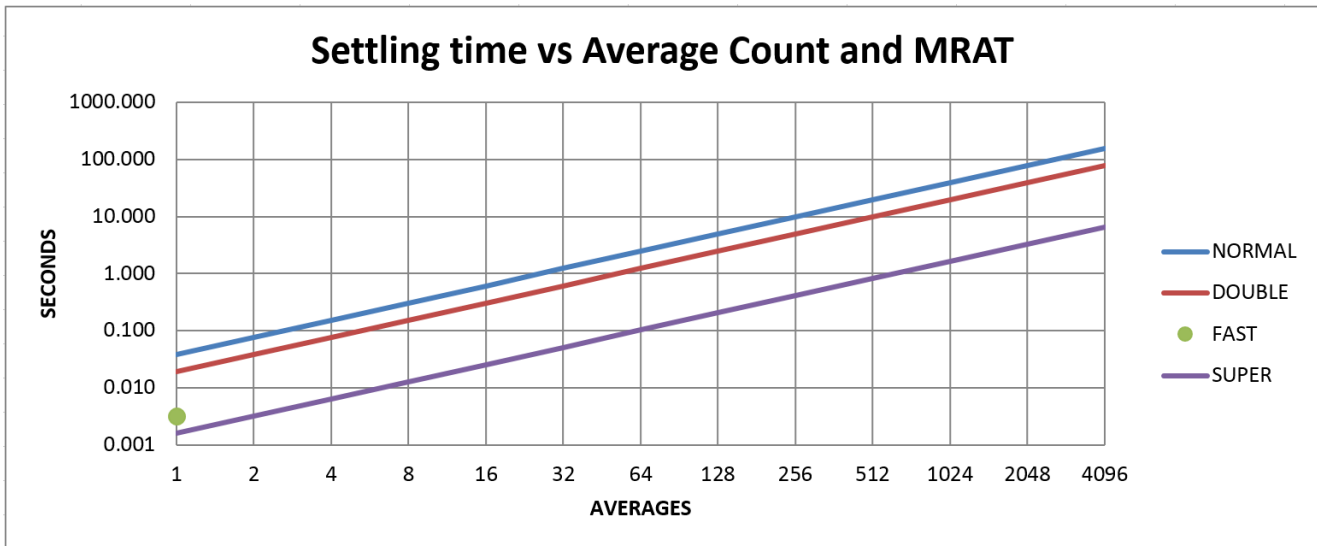
| Setting ->                         | Normal    | Double    | Fast  | Super     |
|------------------------------------|-----------|-----------|-------|-----------|
| Samples per measurement            | 384       | 192       | 32    | 16        |
| Number of Averages per Measurement | 1 to 1024 | 1 to 1024 | 1     | 1 to 4069 |
| Measurement time per Average       | 38.4ms    | 19.2ms    | 3.2ms | 1.6ms     |

## Normal Detector Mode Video Bandwidth

| Parameter                                | Minimum | Typical |
|--|---------|---------|
| Auto Range                               | 8 kHz   | 10 kHz  |
| Range = 1 (-15 dBm (typical) to 26 dBm)  | 40 kHz  | 60 kHz  |
| Range = 0 (-45 dBm to -12 dBm (typical)) | 8 kHz   | 10 kHz  |

# LB5940A Power Sensor

Settling time in seconds for Average Detector Mode; 30dB decreasing power step



## Interface Connectivity

LB5900 series sensors support both USBTMC and USB HID. Direct control of the sensor is also possible using optional SPI and I2C interface ports. These connectivity functions are optimized for programmatic control as well as unattended and logged power measurements. The sensors can be setup, controlled and data taken from any of the connectivity options. LadyBug sensors are provided with a full featured application that utilizes the sensors USB interfaces. Refer to the Option SPI documentation for information regarding I2C and SPI interfaces.

|                        |   |
|------------------------|---|
| USBTMC                 | USB488 compliant  |
| USB HID                | USB Human Interface Device Class compliant  |
| SPI / I2C (Option SPI) | Cable and connector are included with option SPI. Cable may also be used to power the sensor for unattended applications. |

## Remote Programming

The sensor is designed for full programmatic control in ATE systems and other applications requiring remote programming. LB5900 Series sensors use SCPI (Standard Commands for Programmable Instruments) commands. The sensor's three connectivity options use the SCPI command set. LadyBug's SICL test harness can be utilized for testing and developing automated test systems. Refer to the appropriate programming guide for additional information on remote programming.

|                  |   |
|------------------|---|
| Supporting Ports | USBTMC, USB HID, SPI/I2C  |
| Command Set      | SCPI (Standard Commands for Programmable Instruments)   |
| Compatibility    | Compatible with systems using USBTMC programmatic control, NI™ & Agilent™ Visa IO libraries, Agilent™ U2000 & others using SCPI command set.* |

\* Agilent is a trademark of Agilent Technologies Inc; NI is a trademark of National Instruments, Inc.

# LB5940A Power Sensor

## Analog Recorder Output

Option 001, Analog Recorder Out. Recorder Output is a filtered analog output that can be used for various purposes. The output provides an accurate scaled voltage representing power level of the signal. The output is linear (not log dB) and can be scaled. When enabled, Recorder Out uses the same SMB port used by Trigger Out making the port unavailable for triggering use. Trigger in is not affected.

|                         |  |
|-------------------------|--|
| Output filter bandwidth | Average Detector mode: 0.001 Hz to 32 Hz (settable)<br>Normal Detector mode: 0.001 Hz to 81 Hz (settable)                  |
| Output range            | 0 to 1 Volt into 1,000 Ohms. Note: Potential of 2.5 Volts when set as Recorder Out; or 5 Volts when used as Trigger Output |
| Output impedance        | 1 k Ohms   |
| Resolution              | +/- 25 $\mu$ V   |
| DC Offset               | 0 to 5 mV  |
| Scale                   | Linear   |
| Connector               | SMB Male (shared with Trigger Out and Wideband Video Out)  |

## Triggering

LB5900 Series Sensors' trigger functions including slope, level, trigger delay, hold off and rearm delay can be set. External trigger Input and are available for gated measurements, synchronizing multiple sensors, or other purposes. Trigger Input and output use SMB Male connectors, these may be shared with other options.

|                            |   |
|----------------------------|---|
| <b>General</b>             |   |
| Trigger source             | Internal (signal level), Immediate, External.   |
| Trigger Delay range        | +/- 10 Seconds  |
| Auto trigger delay         | Varies based on resolution setting (Default 45 ms). Average Mode: 11 ms to 61 ms.   |
| Resolution                 | 1 $\mu$ s   |
| Trigger Out pulse width    | 500 ns  |
| Trigger Out level          | Maximum $\approx$ VUSB $\approx$ 5.5VDC (typical). Typical high level 4.0V with 600 ohm load (With VUSB=5.0V). Max low level 0.8 V. Minimum load resistance 200 ohms. |
| <b>Internal Triggering</b> |   |
| Level                      | Settable to approximately -50dBm to 20dBm   |
| Level resolution           | 0.1 dB  |
| Slope                      | Positive or Negative  |
| Hysteresis                 | Settable to 0 dB to 3 dB  |
| <b>External Triggering</b> |   |
| Trigger input              | Min high level 2.0 Volts, Max low level 0.8 Volts.  |
| Input load                 | Selectable 100 k $\Omega$ or 50 $\Omega$  |
| Timing requirements        | Minimum pulse: Width 25 ns (on), 25 ns (off); Repetition: 50 ns (min)   |
| Absolute input limits      | +5.5 Volts maximum; -0.5 Volts minimum  |

# LB5940A Power Sensor

## Option MIL

Option MIL is designed to address security and data sanitization issues. When purchased with this option, the user cannot write to any non-volatile memory. Consult the factory for additional information regarding option MIL.

## Sanitization Option (SEC)

The sanitization option adds secure erase capability. When the SEC command is executed, all non-volatile memory is erased including User Presets, Persona information, Store & Recall data, User Cal, Simple offsets and FDO tables. The process is an *erase - random overwrite - erase* process. For additional security users can execute the command repeatedly. The option is not available if Option MIL is purchased because non-volatile memory writes are disallowed with the option.

## Store, Recall and Logging Memory

The LB5940A contains volatile and non-volatile memory.

Store & recall functions for the sensor's state and register functions such as Frequency, Averages and Analog Recorder Out settings have a lifetime of 1 million write and erase cycles.

When Option UOP is present, the sensor contains separate, non-volatile flash memory that is designed for long term logging of measurements.

Note: If option MIL (security) is ordered, non-volatile flash memory is not accessible. This includes all state and register functions such as Frequency, Averages, Analog Recorder Out etc.

| Parameter               | Specification                |
|-------------------------|------------------------------|
| Non-volatile NAND flash | 50 Million measurements      |
| Maximum storage rate    | 1000 measurements per second |

## Unattended Operation (UOP)

Unattended operation is used to make autonomous measurements. Once setup using a computer, the sensor only requires power to function. Measurements are stored in the sensors non-volatile memory and are time stamped using the sensor's internal real time clock. The option allows the use of trigger functions. Recorder output can be enabled while in unattended operation allowing calibrated analog output functions with no computer or power meter connected. Power can be applied using a USB power only cable or if Option SPI has been purchased, its ribbon cable can be used to apply power. Measurement storage using UOP is not possible when Option MIL is installed.

# LB5940A Power Sensor

## Real time clock

If Option UOP is present, the LB5900 Series Sensors contains a real time clock that is used to time stamp logged measurements. When the sensor is powered on, the sensors high accuracy time base is used to increase the accuracy of the real time clock.

|               |   |
|---------------|---|
| Time accuracy | Typical: Un-powered 20 ppm at 25 degrees Celsius; Under power & stable, 2 ppm (disciplined by high accuracy time-base). Consult the factory for further information.                          |
| Functionality | Provides time stamp data for measurements stored in memory. When used with Option UOC (unattended operation), can deactivate low power mode, trigger measurements and activate low power mode |
| Backup        | Super cap. When fully charged, provides 1 day (typical) RTC operation with no power applied to the sensor. Minimum charge time 5 minutes.   |

| Environmental | Operating                  | Storage                     |
|---------------|----------------------------|-----------------------------|
| Temperature   | 0°C to 55°C                | -25°C to 85°C               |
| Humidity      | 15% - 95% non-condensing   | 15% - 95% non-condensing    |
| Altitude      | 10,000 feet (3,000 meters) | 50,000 feet (15,000 meters) |

## Initial Stabilization Time

For general use, LB5900 series sensors are stable 5 minutes after electrical power is applied. Specifications detailed in this datasheet are valid ONLY after a 30 minute warm up period and for continuous wave (CW) signals unless otherwise stated. The recommended calibration interval for this product is one year. Specifications apply over the listed temperature and relative humidity range unless otherwise stated.

# LB5940A Power Sensor

## Uncertainty Calculation Work Sheet

Use this sheet to calculate uncertainty for a specific set of conditions using the root sum of squares method.

### Conditions

|                           |  |
|---------------------------|--|
| Operating Frequency (GHz) |  |
| Power Level (dBm)         |  |
| DUT Match (VSWR)          |  |
| Temperature (°C)          |  |

### Sensor characteristics at conditions

|   |  |  |
|---|--|--|
| Cal Factor (% & Actual)                     |  |  |
| Linearity (% & Actual)                      |  |  |
| Noise (% & Actual)                          |  |  |
| Uncertainty Due To Temperature (% & Actual) |  |  |
| Match (VSWR)                                |  |  |
| Zero Offset                                 |  |  |

1. Calculate Sensor reflection coefficient,  $\rho$  from Sensor VSWR

$$\rho_{\text{sens}} = (\text{VSWR}-1)/(\text{VSWR}+1)$$

$$\rho_{\text{sens}} =$$

2. Calculate DUT reflection coefficient,  $\rho$  from DUT VSWR

$$\rho_{\text{DUT}} = (\text{VSWR}-1)/(\text{VSWR}+1)$$

$$\rho_{\text{DUT}} =$$

Note: Reflection coefficient can be calculated from return loss using the formula  $\rho=10^{(-\text{RL}/20)}$

3. Calculate total match uncertainty

$$\text{Mm} = (1+(\rho_{\text{sens}} * \rho_{\text{DUT}}))^2-1$$

$$\text{Mm} =$$

4. Calculate Zero Offset uncertainty (See Specification and notations)

- a. Convert power from dBm to Linear

$$\text{Linear Power} = 10^{(\text{PowdBm}/10)}$$

$$\text{Linear Power} =$$

- b. Calculate Zero Offset

$$\text{Zero Offset} = (\text{Zero Offset Specification}/\text{Linear Power})$$

$$\text{Zero Offset} =$$

5. Calculate Total RSS uncertainty

$$\text{Uncertainty (\%)} = \sqrt{(\text{Mm}^2 + \text{CF}^2 + \text{L}^2 + \text{N}^2 + \text{T}^2 + \text{Z}^2)} * 100$$

$$\text{Uncertainty (\%)} =$$

# LB5940A Power Sensor

## Uncertainty Calculation Work Sheet Example

This sheet was completed using typical sensor data.

### Conditions

|                           |      |
|---------------------------|------|
| Operating Frequency (GHz) | 30   |
| Power Level (dBm)         | -20  |
| DUT Match (VSWR)          | 1.20 |
| Temperature (°C)          | 25   |

### Sensor characteristics at conditions

|   |       |         |
|---|-------|---------|
| Cal Factor (% & Actual)                     | 1.71% | 0.071   |
| Linearity (% & Actual)                      | 0.5%  | 0.005   |
| Noise (% & Actual)                          | 0.15% | 0.0015  |
| Uncertainty Due To Temperature (% & Actual) | 0%    | 0.0     |
| Sensor's VSWR                               |       | 1.28:1  |
| Zero Offset                                 |       | 3.5E-10 |

1. Calculate Sensor reflection coefficient,  $\rho$  from Sensor VSWR

$$\rho_{\text{sens}} = (\text{VSWR}-1)/(\text{VSWR}+1)$$

$$\rho_{\text{sens}} = (1.28-1)/(1.28+1) = 0.123$$

2. Calculate DUT reflection coefficient,  $\rho$  from DUT VSWR

$$\rho_{\text{DUT}} = (\text{VSWR}-1)/(\text{VSWR}+1)$$

$$\rho_{\text{DUT}} = (1.2-1)/(1.2+1) = 0.091$$

Note: Reflection coefficient can be calculated from return loss using the formula  $\rho=10^{(-RL/20)}$

3. Calculate total match uncertainty

$$Mm = (1+(\rho_{\text{sens}} * \rho_{\text{DUT}}))^2-1$$

$$Mm = (1+(.091*.091))^2-1 = 0.0166$$

4. Calculate Zero Offset uncertainty (See Specification and notations)

- a. Convert power from dBm to Linear

$$\text{Linear Power} = 10^{(\text{PowdBm}/10)}$$

$$\text{Linear Power} = 10^{(-20/10)} = .01\text{mw}$$

- b. Calculate Zero Offset

$$\text{Zero Offset} = (\text{Zero Offset Specification}/\text{Linear Power})$$

$$\text{Zero Offset} = (0.35\text{nw} / .01\text{mw}) = .000035$$

5. Calculate Total RSS uncertainty

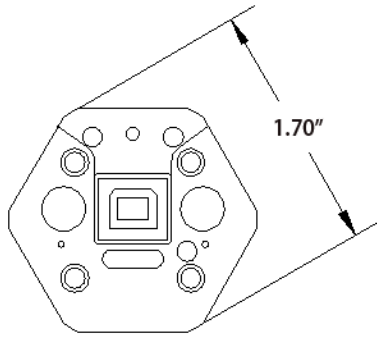
6. Uncertainty (%) =  $\sqrt{(Mm^2+CF^2+L^2+N^2+T^2+Z^2)}*100$

$$\text{Uncertainty (\%)} = \sqrt{(0.0225^2+0.0171^2+.005^2+.0015^2 +0.0^2+.0000350^2)} = .0287 = 2.87\%$$

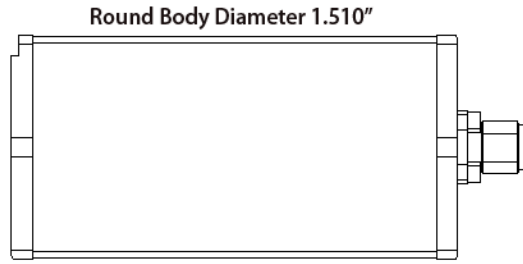
# LB5940A Power Sensor

## LB59XXX Outline drawings

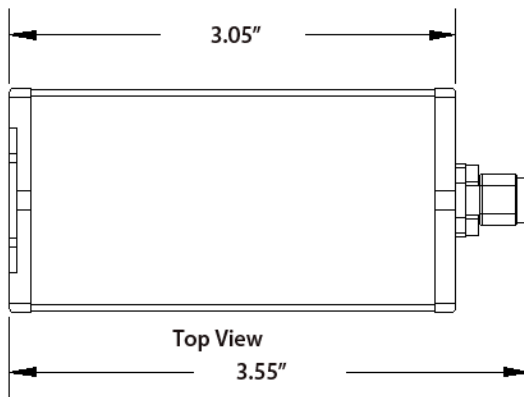
Dimension tolerance +/- 0.063"



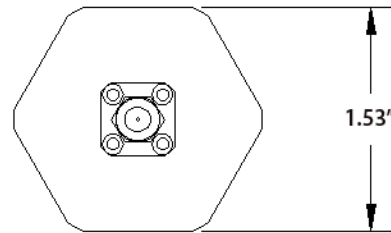
Rear (USB) View



Side View

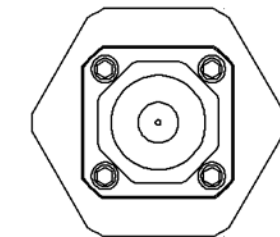
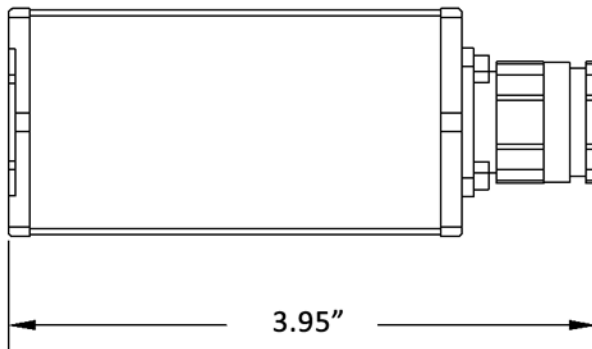


Top View



Front View

SMA & 3.5mm Connectors



Type-N Male Connector