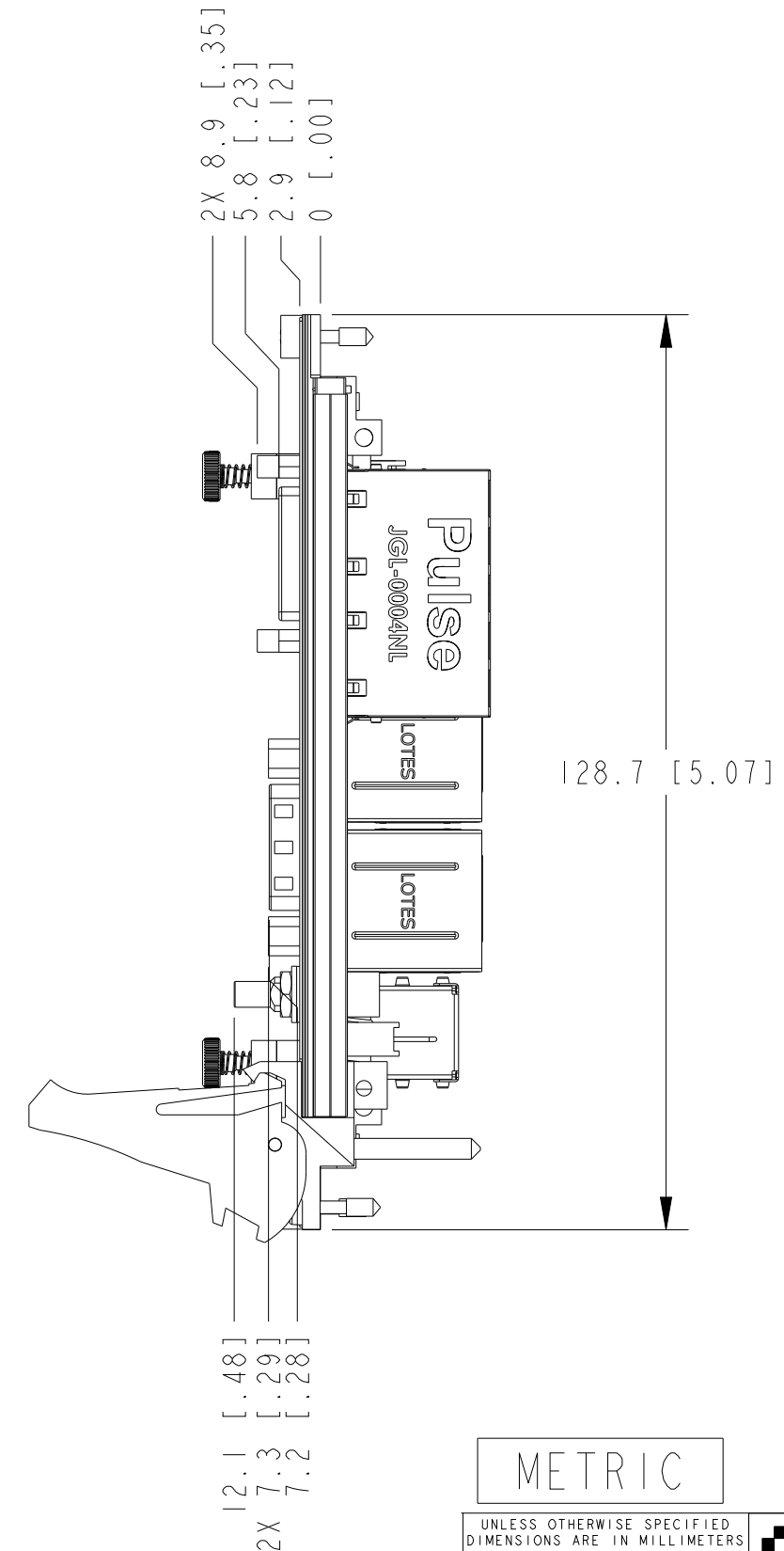


1. REFER TO PRODUCT MANUAL ON NI.COM FOR MORE DETAILS.
 NOTES: UNLESS OTHERWISE SPECIFIED.



METRIC		CUSTOMER DRAWING	
UNLESS OTHERWISE SPECIFIED DIMENSIONS ARE IN MILLIMETERS AND [INCHES].		NI.COM AUSTIN, TEXAS	
DO NOT SCALE DRAWING THIRD ANGLE PROJECTION		TITLE PXIe-8861 W/ REMOVABLE HDD	
SIZE	CODE IDENT NO.	MM/DD/YYYY	
B	7U296	10/29/2020	
SCALE: 1/1		SHEET OF	