

Data sheet

OpDAT REG Splice Distributor for crimp splice holder

Page 1/4

P/N

15024B10S-E

EAN 4251122179723

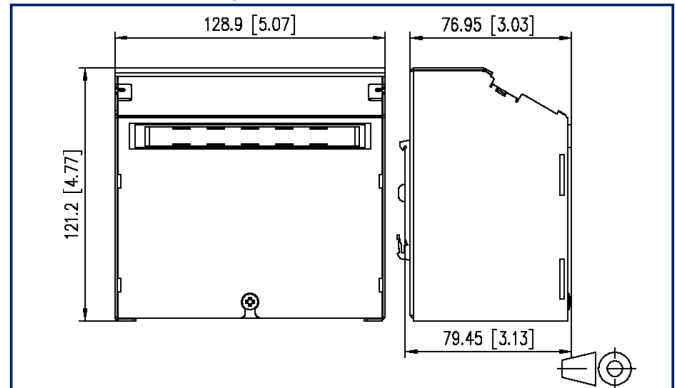
2023/04/14

Version: P

Illustrations



Dimensional drawing



See enlarged drawings at the end of document

Product specification

- Very compact splice distributor for TH35 rail
- Flat design with an inclined outlet (connections facing downward) and a large cabling space
- Great ease of use even with high cable channels in the immediate surroundings
- To mount pigtails or pre-terminated installation cables (VIKs)
- Modular design: housing, equipped front plate and splice tray are to be ordered separately
- Visible area with label strip
- The rail bracket can be mounted in different positions to the housing to allow for several mounting variants.
- Cable feed from top or bottom with a strain relief M20 (available as an option).
- Front plate (3RU/7HP) with LC-Quad, SC-Duplex, ST or E2000 adapters. Other types available on demand.
- 3 variants available:
 - OpDAT REG S V = for pre-terminated cables
 - OpDAT REG S Splice C = for 12 splices with crimp splice holders
 - OpDAT REG S Splice S = for 12 splices with shrink splice holders
- Particularly solid rail bracket
- With one captive screw of the cover
- Suitable for mixed equipment with fiber optic and copper based technology
- With a mounted blind plate it can be used on the rail as splice box only or also as a transit splice box with up to 12 (24) fibers



P | Cabling

Data sheet

Page 2/4

OpDAT REG Splice Distributor for crimp splice holder

P/N

15024B10S-E

EAN 4251122179723

2023/04/14

Version: P

Technical Data

General Data

Mechanical measurement according to MICE	M1
Ingress measurement according to MICE	I1
Climatic measurement according to MICE	C1
Electromagnetic measurement according to MICE	E3
Design	Splice distributor
Color	gray
Dimensions	
Dimension (L x W x H)	79.45 mm x 128.9 mm x 121.2 mm
Dimension (L x W x H)	3.128 in. x 5.075 in. x 4.772 in.
Labeling option	label strip / labeling strip

Connections/interfaces

Cable access/outlet	from top or bottom, with M20 gland (up to 2 possible)
Ground connection	grounding bolt M4 x10 with nut and lock washer

Materials and material properties

Material - Housing	steel
Halogen free	yes
RoHS	compliant

Classifications

ETIM 6.0	EC001130
ETIM 7.0	EC001130
ETIM 8.0	EC001130
ETIM 9.0	EC001130

Packing details

Type of packaging	1 pc(s) / box
Packaging dimension	167 mm x 147 mm x 95 mm
Packaging dimension	6.575 in. x 5.787 in. x 3.74 in.



OpDAT REG Splice Distributor for crimp splice holder

P/N
15024B10S-E

EAN 4251122179723

2023/04/14

Version: P

Accessories

P/N	Designation
130810-01-E	Cover plate 3RU/7HP
130B10E2E-E	Modul module frame 3RU, 7HP 6 port stainless steel unequipped
130B20E2E-E	Keystone module frame 3RU, 7HP 6 port stainless steel unequipped
150240M20Z-E	OpDAT REG strain relief M20
15024A0112-E	OpDAT REGpro front cover 12xST SM+MM
15024A3112-E	OpDAT REGpro front cover 12xST MM
15024A5812-E	OpDAT REGpro front cover 12xE2000-Simplex SM
15024A5912-E	OpDAT REGpro front cover 12xE2000-Simplex APC OS2
15024A5A06-E	OpDAT REGpro front cover 6xE2000-Duplex MM
15024A5B06-E	OpDAT REGpro front cover 3RU, 7HP 6xE2000-D SM (ceramic)
15024A5C06-E	OpDAT REGpro front cover 6xE2000-Duplex APC OS2
15024A7203-E	OpDAT REGpro front cover 3RU, 7HP 3xLC-Q OM2 (ceramic, beige)
15024A7903-E	OpDAT REGpro front cover 3xLC-Q OM4
15024AC206-E	OpDAT REGpro front cover 6xSC-Duplex MM
15024AD204-E	OpDAT REGpro front cover 3RU, 7HP 6xSC-D OS2 (ceramic, metal)
15024AD206-E	OpDAT REGpro front cover 6xSC-Duplex OS2
15090402-I	OpDAT shrink splice protection

P | Cabling

Data sheet

OpDAT REG Splice Distributor for crimp splice holder

Page 4/4

P/N

15024B10S-E

EAN 4251122179723

2023/04/14

Version: P

Illustrations

Dimensional drawing

