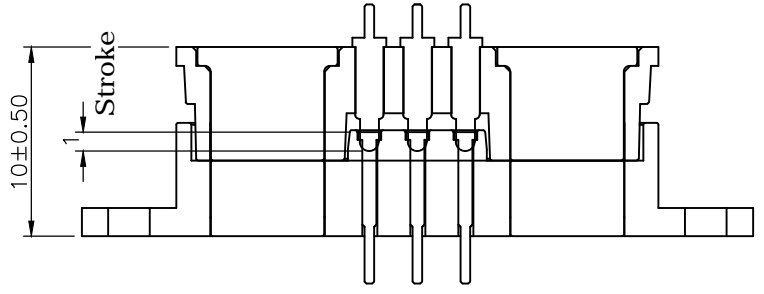
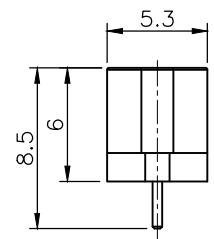
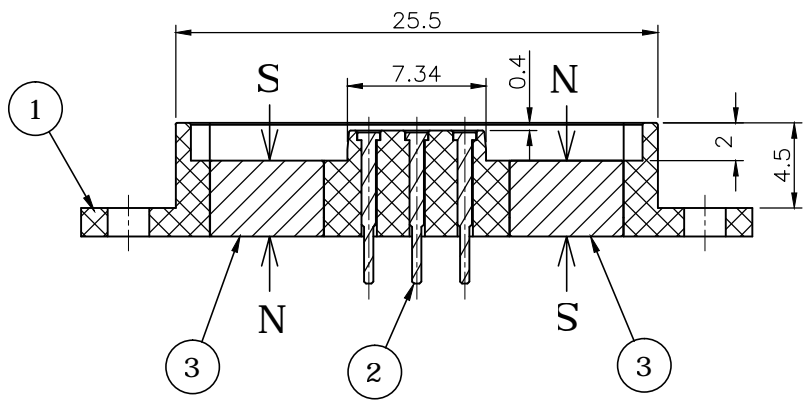
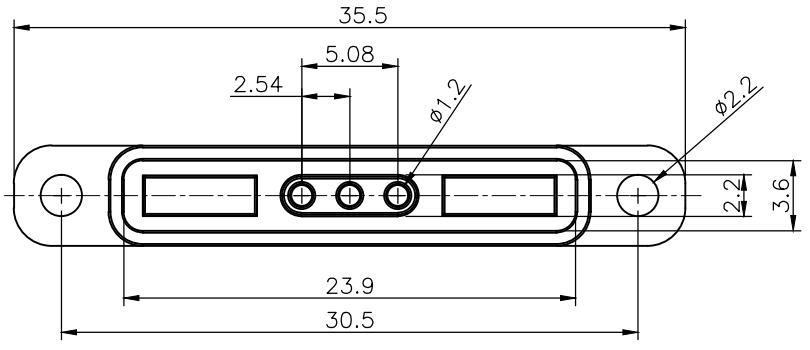


| REV. | DESCRIPTION | DRAWN | DATE |
|------|-----------------|-------|------------|
| 1 | INITIAL RELEASE | FROS | 2022/03/10 |

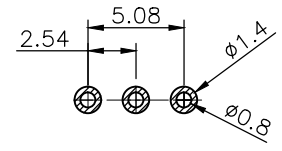
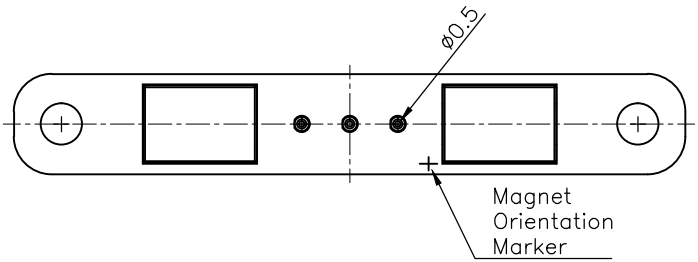
SPECIFICATION:

1. Contact Resistance: 50mΩ
2. Operating Temperature Range: -30°C~+60°C
3. Soldering by manual only

| | | | |
|--------------|---------|---------|---------------------------|
| 303D-L255M03 | 2A | 12VDC | 500g |
| Match P/N | Current | Voltage | Magnetic Adsorption Force |



ASSEMBLY



Recommended layout
General tolerance: ±0.05mm

| 4 | GLUE | LSR-67 | | | |
|--------------------------------------|-----------|---|------------|--|----------------------------|
| 3 | MAGNET | N52 NdFeB, Nickel plating | | | |
| 2 | PIN | Lead Free Brass, 5u" Gold plating over Nickel | | | |
| 1 | HOUSING | HTN, UL94V-0, Black | | | |
| NO. | PART NAME | DESCRIPTION | | | |
| UNLESS OTHERWISE SPECIFIED TOLERANCE | | | | | |
| UNIT: | SIZE | LINEAR | ANGLES | | |
| | mm | 0-6 | ±0.1 | ±2° | |
| | | 6-30 | ±0.2 | | |
| | 30-150 | ±0.3 | | | |
| DRAWN | | Fros | 2022/03/10 | DRAWN NAME: Pogo Pin Magnet Type, Machine Pin 3P 35.5x5.3x8.5h, 5u", 500g, 3A, black | |
| CHECKED | | Tim | 2022/03/10 | | |
| APPROVED | | Ken | 2022/03/10 | PRODUCT NO. 303D-L355F03 | |
| SCALE | | 2.5 | SHEET 1/1 | SIZE A4 | FILE NAME 303D-L355F03_B_1 |



www.attend.com.tw