



MS86L Series

Ø86mm LED Signal Lights

- Wide light distribution with prism-cut lens
- Selectable Steady/Flashing modes by jumper

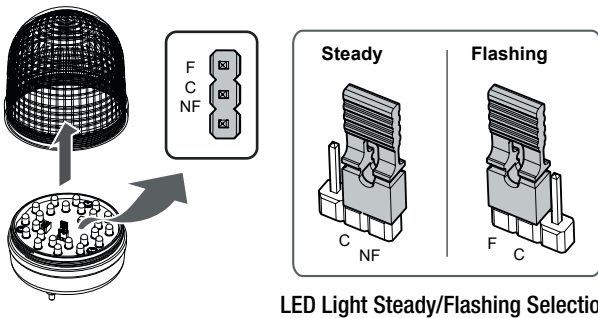


Ordering Information

MS86L - F 02 - R
 ① ② ③

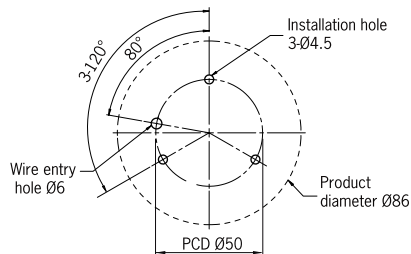
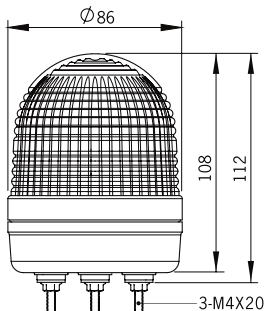
① Light Style	F	Steady & Flashing
	B	Steady & Flashing w/Audible Alarm
② Power Supply	02	24V AC/DC
	FF	90-240V AC
③ Lens Colors	R	Red
	Y	Yellow
	G	Green
	B	Blue
	C	Clear

Jumper setting



Dimensions

unit: mm

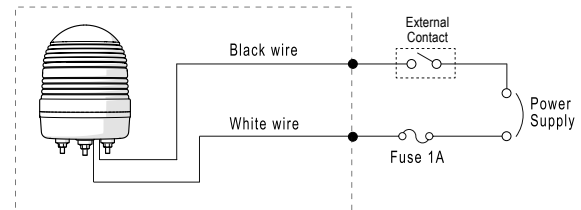


Mounting hole layout

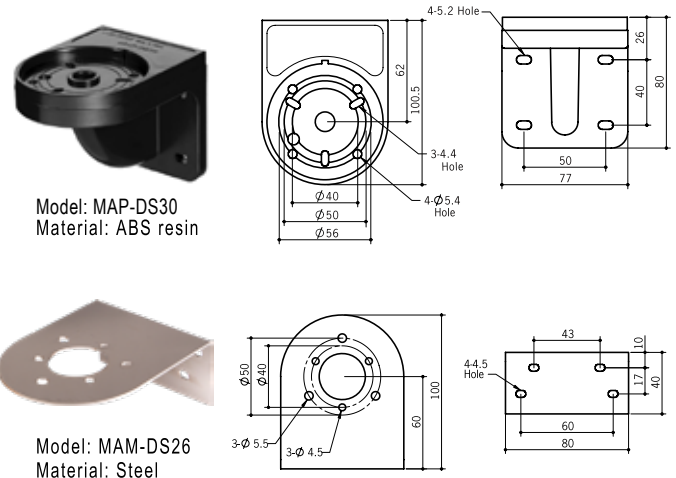
Specifications

Functions	Steady/Flashing/Alarm	
Power Supply	24V AC/DC	90~240VAC
Current Consumption	R	0.33A(W/Alarm : 0.36A)
	Y	
	G	0.49A (W/Alarm : 0.49A)
	B	
C		
Flash Rate	80 ±10 time/min	
Alarm Sound Level	80 ±5 dB	
Vibration	0.75mm at 10~55 Hz	
Insulation Resistance	100 MΩ minimum (500VDC mega)	
Ambient Temperature	-20~40°C	
Storage Temperature	-20~70°C	
Ambient Humidity	45~85% RH	
Degree of Protection	IP65	
Recommended Wire Size	UL 2464,22AWGx2C	
Weight	150g	
Certificate/Compliance	RoHS, UL	

Wiring Diagram



Wall mounting options (for all MS86 Series)



See page 19 - 21 for mounting options and accessories