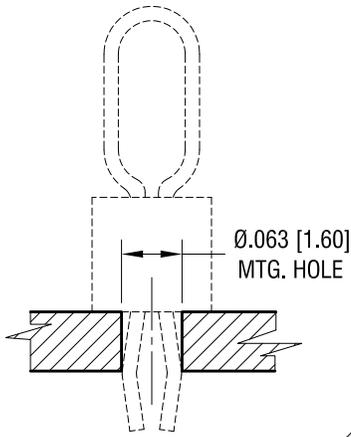
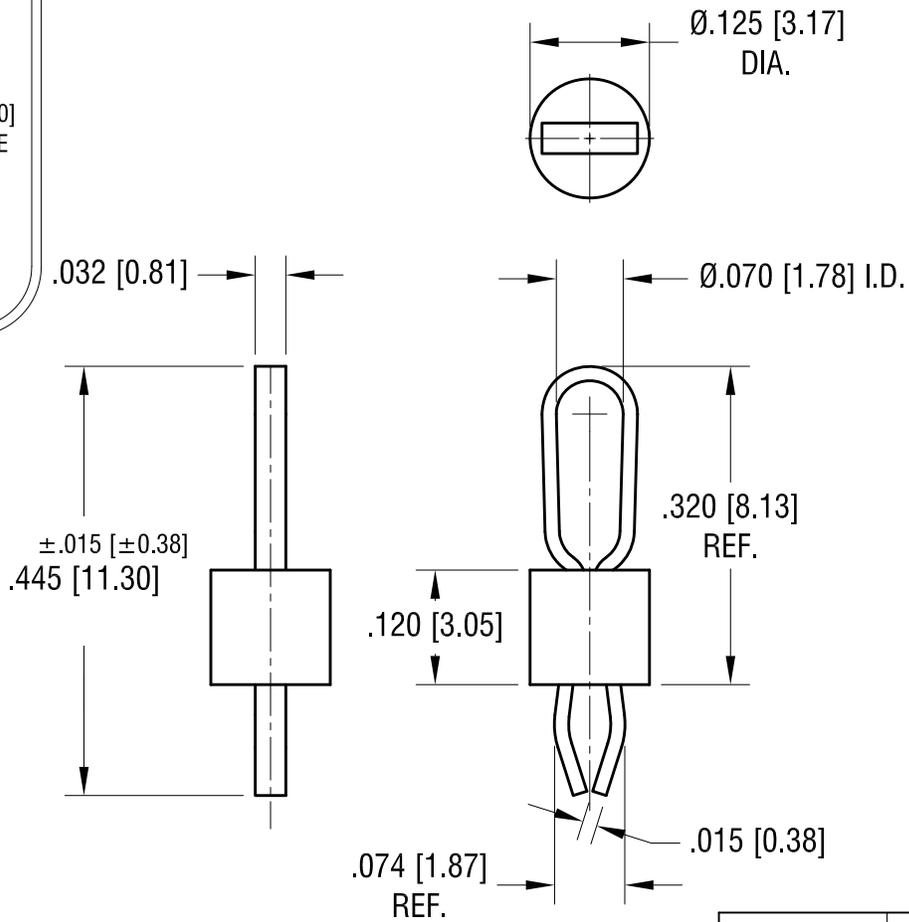


THIS DOCUMENT IS THE PROPERTY OF  
KEYSTONE ELECTRONICS CORP. AND  
SHALL NOT BE REPRODUCED, DISTRIBUTED  
OR USED AS A BASIS FOR MANUFACTURE  
WITHOUT PRIOR WRITTEN PERMISSION  
FROM KEYSTONE ELECTRONICS CORP.

**MTG. DETAIL**



**ACTUAL SIZE**



**NOTES:**

- 1. TERMINAL:  
MAT'L - PHOSPHOR BRONZE WIRE
- BASE:  
MAT'L - HEAT RESISTANT NYLON 46

PART NO.	BASE COLOR
5285	BROWN
5286	GREEN
5287	BLUE
5288	GREY
5289	PURPLE

**KEYSTONE ELECTRONICS CORP.**  
www.keyelco.com • NEW HYDE PARK, NY 11040 • Tel (516) 328-7500

PART NAME  
**PC TEST POINT - MULTIPURPOSE**

MATERIAL  
**AS NOTED**

FINISH <b>MATTE TIN PLATE</b>	DRN BY <b>NT</b>	DATE <b>11.06.19</b>
	APP'D <b>RH</b>	SCALE <b>5X</b>

TOLERANCES	INCH [MM]	CODE	DWG NO.
DECIMAL	± .005 [± 0.13]	<b>C</b>	<b>5285 - 5289</b>
ANGULAR	± 1°		
UNLESS OTHERWISE SPECIFIED			

DATE	DESCRIPTION	REV.