

Han-Eco Mod.6 TC70-FI-CRT-w. Bridge V2

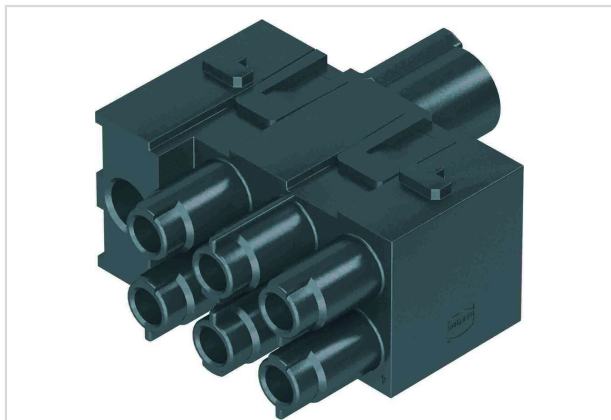


Image is for illustration purposes only. Please refer to product description.

Part number	19 41 006 3103
Specification	Han-Eco Mod.6 TC70-FI-CRT-w. Bridge V2
HARTING eCatalogue	https://b2b.harting.com/19410063103

Identification

Category	Inserts
Series	Han-Eco®

Version

Termination method	Crimp termination
Gender	Female
Size	10 B
Number of contacts	6
PE contact	Yes
Details	Please order crimp contacts separately. Working Contacts: TC 70 Contacts PE Contact: Han-Eco Mod.-SMC-MC/FC-CRT-PE Including contact bridge (three contacts) Coding version 2

Technical characteristics

Conductor cross-section	4 ... 25 mm ²
Rated current	110 A
Rated voltage	1,000 V
Rated impulse voltage	8 kV
Pollution degree	3
Insulation resistance	>10 ¹⁰ Ω
Limiting temperature	-40 ... +125 °C



Pushing Performance
Since 1945

Technical characteristics

Mating cycles	≥500
---------------	------

Material properties

Material (insert)	Polyamide (PA)
-------------------	----------------

Colour (insert)	Black
-----------------	-------

Material flammability class acc. to UL 94	V-0
---	-----

Specifications and approvals

Specifications	IEC 60664-1
	IEC 61984

UL / CSA	UL 1977 ECBT2.E235076
----------	-----------------------

Commercial data

Packaging size	1
----------------	---

Net weight	27.3 g
------------	--------

Country of origin	USA
-------------------	-----

European customs tariff number	85366990
--------------------------------	----------

GTIN	5713140432680
------	---------------

ETIM	EC000438
------	----------

eCl@ss	27440205 Contact insert for industrial connectors
--------	---