

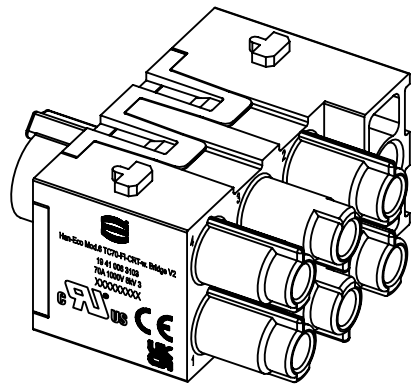
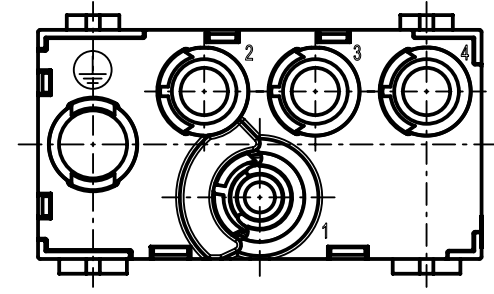
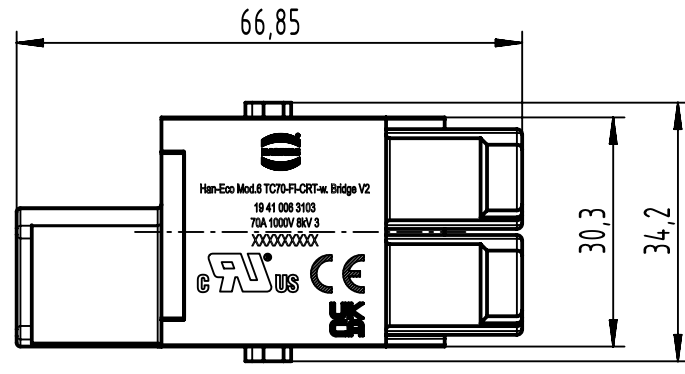
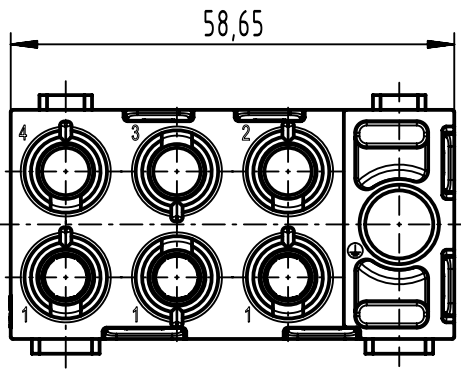
1 2 3 4 5 6

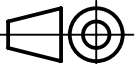

A

B

C

D



 All Dimensions in mm Original Size DIN A4	Scale	Free size tol.			Ref.
	1:1				Sub.
 All rights reserved Department EL PD	Created by	Inspected by	Standardisation	Date	State
	405701 Medina	404840 Pawlicki	ROEBEN Röben	2022-07-12	Final Release
HARTING D-32339 Espelkamp	Title				Doc-Key / ECM-Nr.
	Han-Eco Mod.6 TC70-FI-CRT-w. Bridge V2				100958171/UGD/001/B 500000220874
Type		Number		Rev.	Page
TB		19 41 006 3103		B	1/1