

4

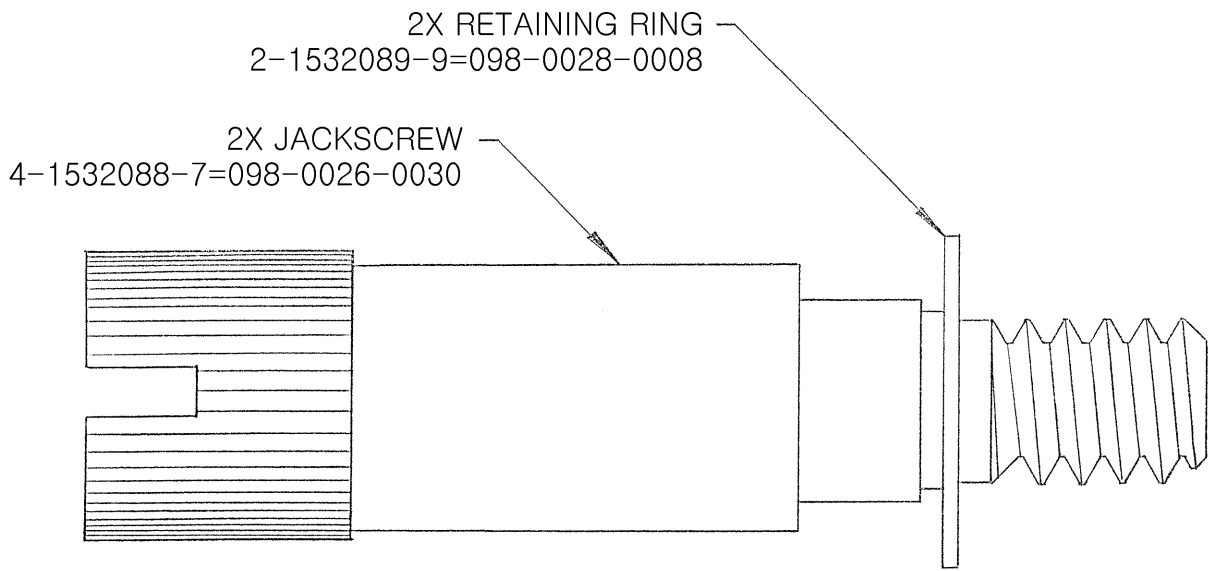
3

2

1


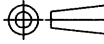
THIS DRAWING IS UNPUBLISHED. RELEASED FOR PUBLICATION
 © COPYRIGHT - By - ALL RIGHTS RESERVED.

LOC	DIST	REVISIONS					
		P	LTR	DESCRIPTION	DATE	DWN	APVD
-	-		A	DRAWING RELEASE	07DEC2011	CEP	CEP



NOTES:

- PARTS TO BE PACKAGED LOOSE AND NOT ASSEMBLED.

THIS DRAWING IS A CONTROLLED DOCUMENT.		DWN CRAIG PREVOST 06DEC2011	 TE Connectivity	
DIMENSIONS: INCHES		CHR CRAIG PREVOST 07DEC2011		
		APVD CRAIG PREVOST 07DEC2011	NAME M83513/05-16 HARDWARE KIT (4-40 UNC) JACKSCREW ASSEMBLY, HIGH PROFILE, SLOT HEAD S96-0002-0088 (HM)	
TOLERANCES UNLESS OTHERWISE SPECIFIED:		PRODUCT SPEC	RESTRICTED TO	
0 PLC ± - 1 PLC ± - 2 PLC ± - 3 PLC ± - 4 PLC ± - ANGLES ± -		APPLICATION SPEC	SIZE A3	CAGE CODE 98278
MATERIAL		WEIGHT	DRAWING NO C- 6-1532137-3	REV A
FINISH		CUSTOMER DRAWING	SCALE N/A	SHEET 1 OF 1