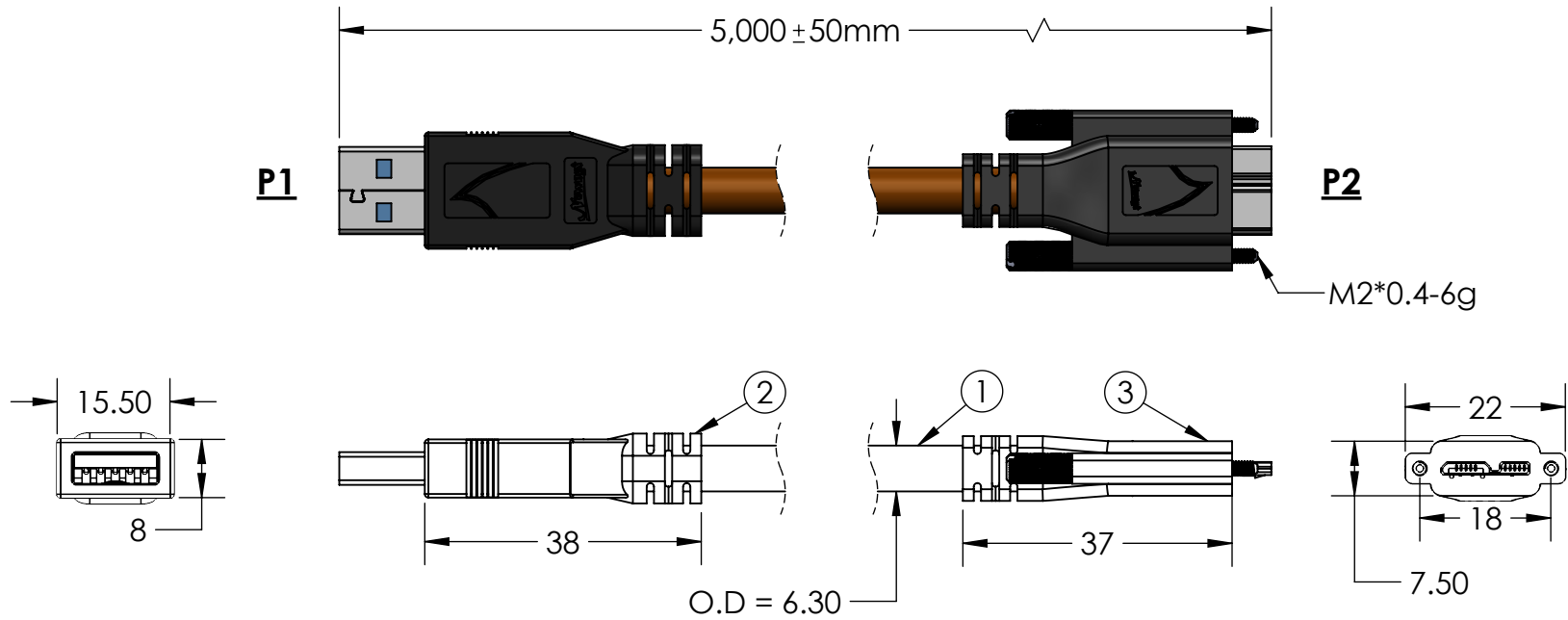


**NEWNEX PROPRIETARY**

THIS DOCUMENT AND THE DATA DISCLOSED HEREIN OR WITHIN IS NOT TO BE REPRODUCED, USED, OR DISCLOSED IN WHOLE OR PART TO ANYONE WITHOUT THE WRITTEN PERMISSION OF NEWNEX



**Notes:**

1. Cable: USB 3.0 High Flex Cables, 6.3mm O.D Orange Jacket.
2. Connector: USB A Male.
3. Connector: USB Micro B Male Dual Screw Locking.
4. Recommended Min Bending Radius: 12 x O.D
5. Max Drag Chain Travel Distance: 1 meter
6. Rated Flex Life Cycle: 6,000,000
7. Packaging: 1 Piece + PE bag.

WIRING STRUCTURE		
P1	SIGNAL	P2
1	PWR	1
2	D-	2
3	D+	3
4	GND	5
5	SDP1-	6
6	SDP1+	7
7	DRAIN	8
8	SDP2-	9
9	SDP2+	10
SHELL	BRAID	SHELL

\*100% OPEN, SHORT, MISWIRE TESTING

\*RoHS compliant product

\*Both shell clam and copper foil have 360 degree contact with braiding

Newnex Technology Corp.



UNLESS OTHERWISE SPECIFIED DIMENSIONS ARE IN MILLIMETERS TOLERANCES ARE:

FRACTIONS DECIMALS ANGLES  
 ± NA XX ± 0.10 ± 0.5°  
 XXX ± 0.050

PROJ: SCALE: 1:1 REV: A

TITLE: High Flex USB 3.0 A Male to Micro B Male Dual Screw Locking, 5m, Orange.

DATE: 6/2/2023

DRAWN BY: XW

APPROVED BY:

PART NUMBER: U3HLA01MCI-050

CHECKED BY:

SHEET 1 OF 1

REVISION COMMENTS: Drawing Generated.