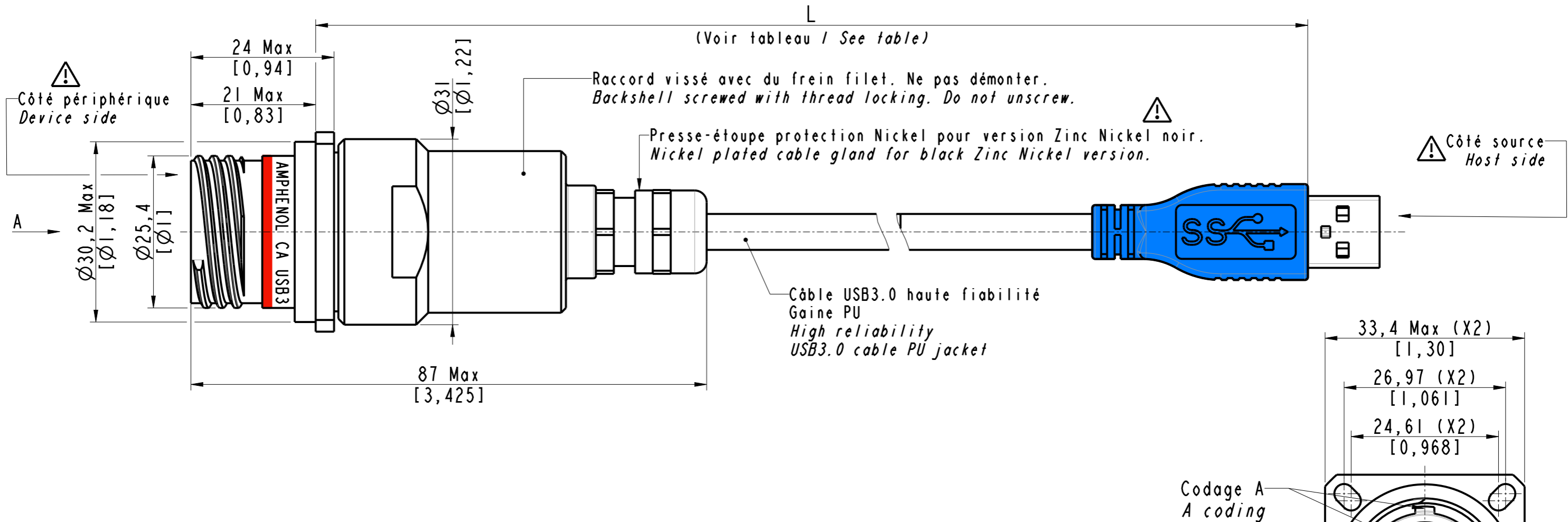
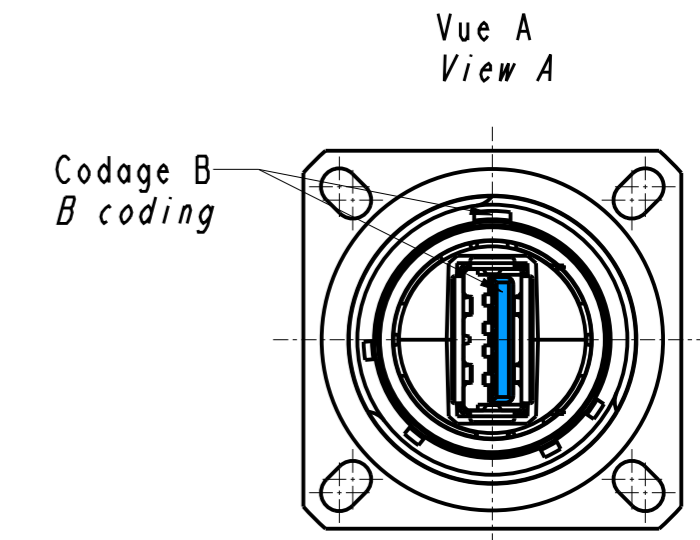
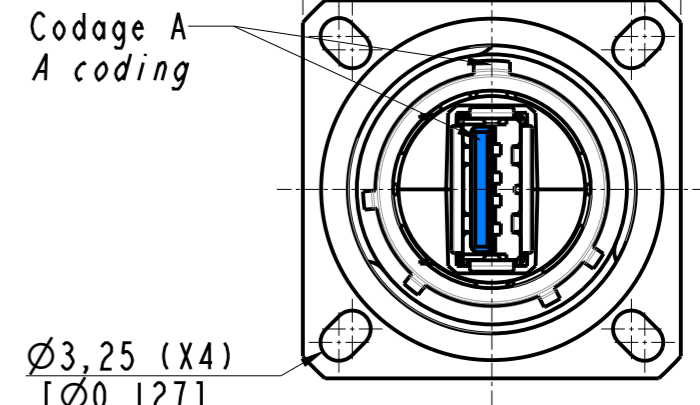
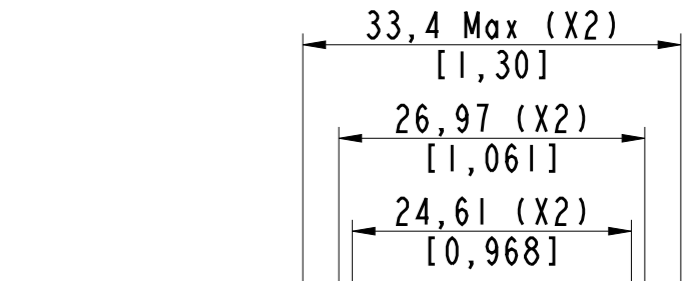


IN THE CONSTANT PURPOSE OF IMPROVING ITS PRODUCTS, Amphenol Socapex RESERVES THE RIGHT TO MODIFY ANY DIMENSION OR CHARACTERISTICS. FM.NPD.0076.THYEZ.PUNE rev B



Référence part number: **CA USB3 FTV 2 X X XX** (B)

- A B** Codages / Codings
- G** alu-protection cadmium vert olive (non RoHS).  
alu-olive drab cadmium plating (not RoHS).
- N** alu-protection nickel (RoHS).  
alu-nickel plating (RoHS).
- ZN** alu-protection zinc nickel noir (RoHS).  
alu-black zinc nickel plating (RoHS).
- Longueur de cordon (voir tableau)  
Cordset length (see table)



Référence Part number	Longueur L (m) length
CA USB3 FTV 2 X X 30	3
CA USB3 FTV 2 X X 40	4
CA USB3 FTV 2 X X 50	5
CA USB3 FTV 2 X X 60	6
CA USB3 FTV 2 X X 70	7
CA USB3 FTV 2 X X 80	8

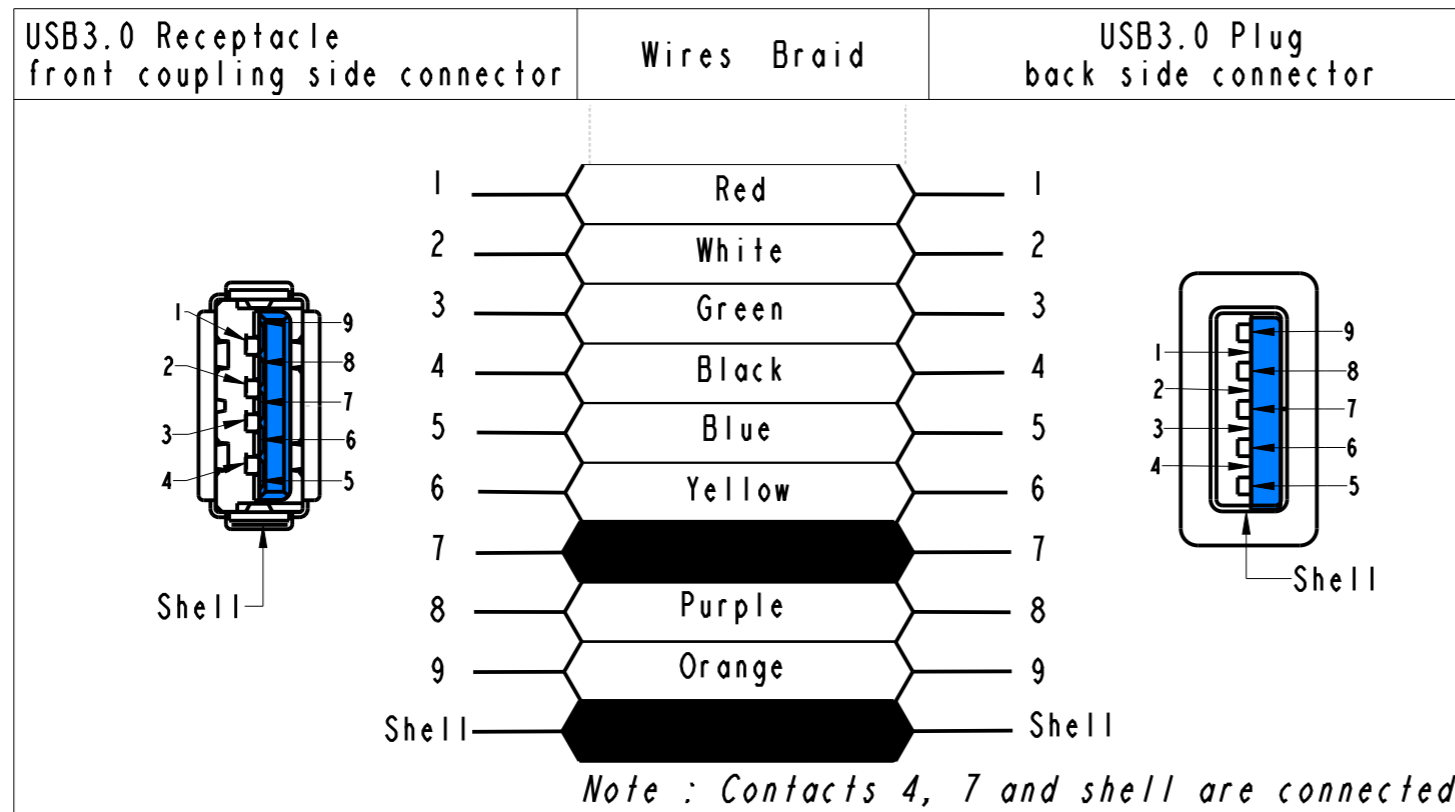
(B)

Dimensions in mm/[inch]

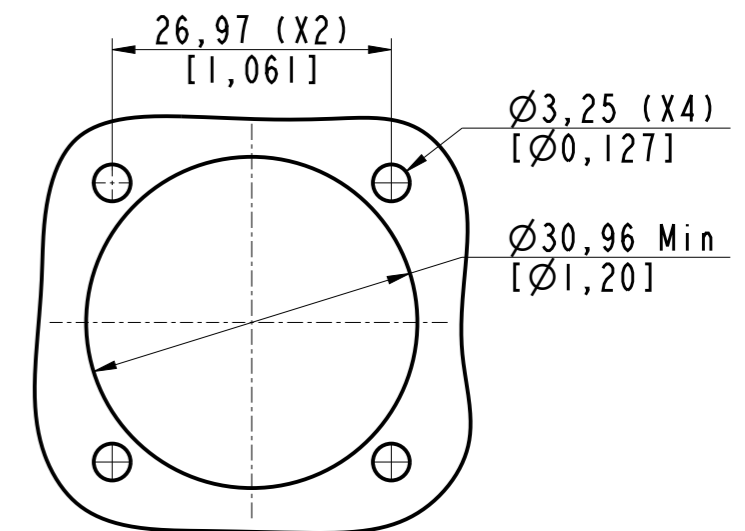
APPROVAL FOR MANUFACTURING Add missing specifications on the drawing if necessary (specific labellings, tolerances,...)		DRAWN BY : H. DUCRUET	UPDATED BY : H. DUCRUET	LAST APPROVED BY : S. FALCOZ	
CUSTOMER :	Name : _____ Date : _____	ALL DIMENSIONS ARE IN MM	AMPHENOL SOCAPEX	ORIGINAL DRAWING DATE : 26/04/23	CONFIGURATION DATA ARE AVAILABLE IN PDM
PROGRAM :				REV : B	PAGE : 1/2
CUSTOMER SIGNATURE		SCALE : 1.5	B.P. 29 74311 THYEZ CEDEX	191-PLC-1238-00	

IN THE CONSTANT PURPOSE OF IMPROVING ITS PRODUCTS, Amphenol Socapex RESERVES THE RIGHT TO MODIFY ANY DIMENSION OR CHARACTERISTICS. FM.NPD.0076.THYEZ.PUNE rev B

Assignement des contacts / Câblage droit  
Pins assignment / Straight cabling



Perçage panneau spécifique: montage par l'arrière  
Specific panel drilling : rear mounting



**CA USB3 FTV 2 X X XX** (B)

Dimensions in mm/[inch]

APPROVAL FOR MANUFACTURING Add missing specifications on the drawing if necessary (specific labellings, tolerances,...)		DRAWN BY : H. DUCRUET	UPDATED BY: H. DUCRUET	LAST APPROVED BY: S. FALCOZ	
CUSTOMER :	Name : _____ Date : _____	ALL DIMENSIONS ARE IN MM	<b>AMPHENOL SOCAPEX</b>	ORIGINAL DRAWING DATE : 26/04/23	CONFIGURATION DATA ARE AVAILABLE IN PDM
PROGRAM :				REV : B	PAGE : 2/2
CUSTOMER SIGNATURE		SCALE : 1.5	B.P. 29 74311 THYEZ CEDEX	191-PLC-1238-00	