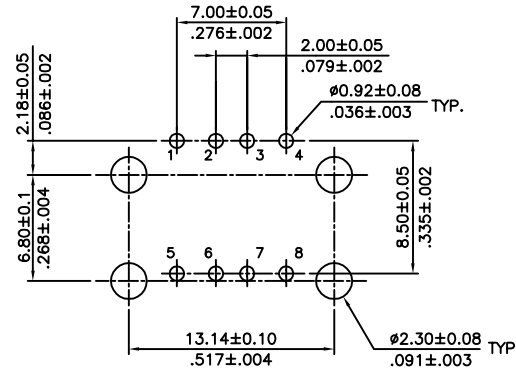
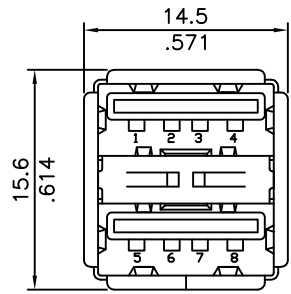


SIGN	DATE	DESCRIPTION	APPROVER
△	2012.10.03	USB 2.0 detail added	SHIN

THIS IS CAD DRAWING, DO NOT REVISE MANUALLY!!!



Recommended P.C. Board Layout

**Material**

- Insulator: Glass Filled Polyester
- Flammability: UL94V-0
- Contacts: Phosphor Bronze
- Contact Plating: See options
- Shell: Brass
- Shell Plating: 80u" Ni over 50u" Cu
- Rear Shell: Steel with Ni plating

**Ratings**

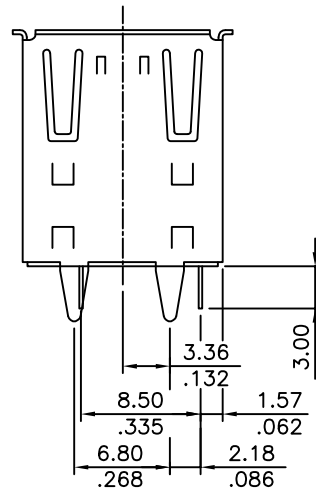
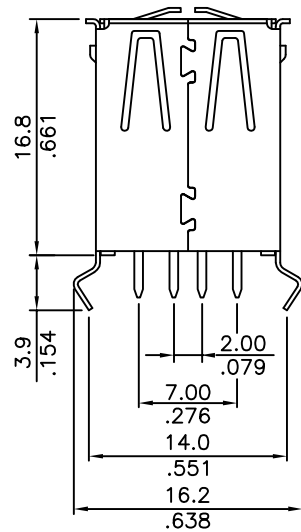
- Current: 1A
- Voltage: 30V AC(r.m.s.)
- Dielectric Withstanding Voltage: 750V AC at sea level
- Contact Resistance: <30mΩ
- Insulation Resistance: >1,000 MΩ
- Operating Temperature: -20° ~ +60°
- Storage Temperature: -0° ~ +50°

RoHS Compliant

PART NUMBER:

**USB-A2VSXX**

- COLOR:
  - B: Black
  - W: White
- PLATING:
  - 6: Selective Au Flash/50u" Ni
  - 8: Selective 30u" Au/50u" Ni (USB 2.0)



THESE DRAWINGS AND SPECIFICATIONS ARE THE PROPERTY OF ON-SHORE TECHNOLOGY, INC. AND SHALL NOT BE REPRODUCED, COPIED OR USED IN ANY MANNER WITHOUT THE PRIOR WRITTEN CONSENT OF ON-SHORE TECHNOLOGY, INC.

TITLE		USB - A type, Vertical, thru hole, Dual Port			
PART NO.		USB-A2VSXX		DWG NO. USB-A2VSXX.DWG	
APPROVED		CHECKED	DESIGNED	DRAWN	Tolerance
		Marvin 2002.03.12	Marvin 2002.03.12	Marvin 2002.03.12	4.050
					UNIT: mm/inches
		SHEET: 01/01			SCALE: NONE
		REV.: A			X.* ±1° X.X ±0.30/.012 X.XX ±0.20/.008 X.XXX ±0.10/.004