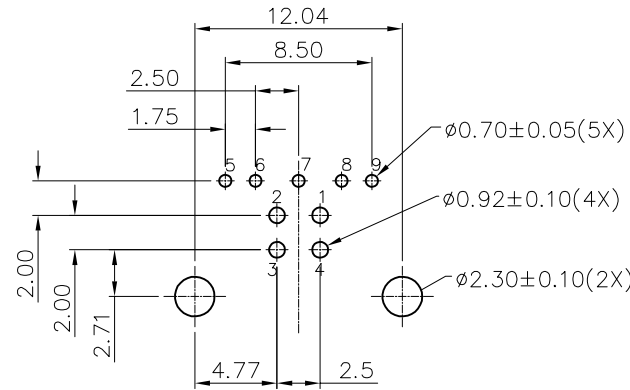
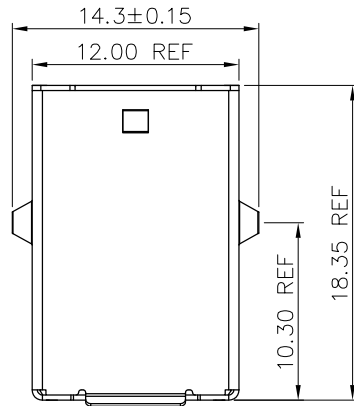


REVISION RECORD		
REV	DESCRIPTION	DRFT
02	ADD SOLDER STANDARD	RICKY

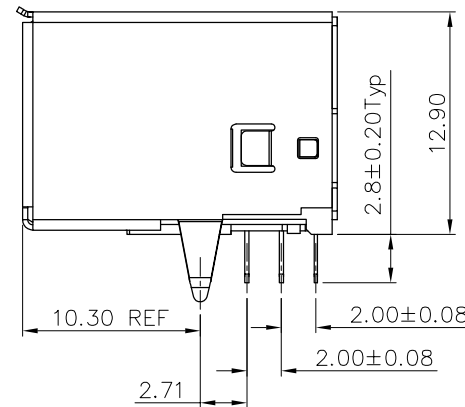
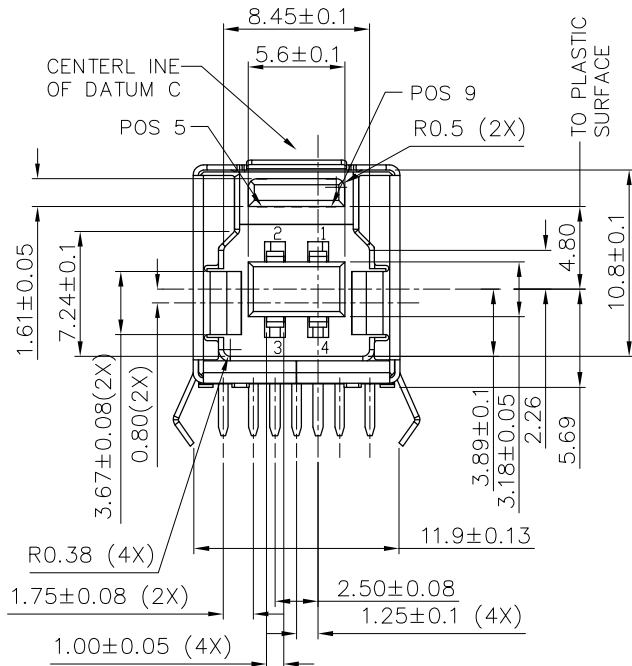
NOTES:

1. MATERIAL
  - 1.1 PLASTIC: NYLON UL 94V-0 COLOR: BLUE300C;
  - 1.2 SHIELD: STEEL
  - PLATING: FRONT SHIELD PLATING NICKEL 50u"Min;  
REAR SHIELD PLATING NICKEL 80u"  
50u"MIN CU UNDERPLATING ALL OVER .
  - 1.3 TERMINAL: PHOSPHOR BRONZE
    - PLATING: 3u" Min GOLD PLATING ON CONTACT AREA  
80u"MIN TIN PLATING ON SOLDER AREA.  
AND 50u"MIN NICKEL UNDERPLATING OVER ALL.
2. ELECTRICAL CHARACTERISTICS
  - 2.1 CURRENT RATING: 1.8A
  - 2.2 CONTACT RESISTANCE: 30mΩMAX.
  - 2.3 DIELECTIC WITHSTANDING: 100V AC/1min.
  - 2.4 INSULATION RESISTANCE: 100MΩMin.
3. MECHANICAL CHARACTERISTICS
  - 3.1 MATING FORCE: 3.57Kgf MAX(35N MAX).
  - 3.2 UNMATING FORCE: 1.02Kgf Min(10N Min).
  - 3.3 DURABILITY: 5000 CYCLES.

OPERATION TEMPERATURE: -20°C to +80°C
4. J-STD-075: W2, 270°C MAXIMUM THROUGH WAVE SOLDER



RECOMMENDED PCB LAYOUT  
TOP VIEW(TOLERANCE: ±0.05)



DETACHED LISTS	MM (INCH)		DFTD Roy	DATE 11/20/2012		RoHS Compliant		
	TOLERANCES EXCEPT AS NOTED		CHKD	DATE				
	MM		APPVL	DATE	TITLE USB 3.0 B TYPE RECEPTACLE			
	0 ± 0.38	±	MATERIAL :					
	.00 ± 0.13	±	QTY :		DRAWING NO. E8199-030-01			
.000 ± 0.05	±	FINISH :		/PART NO. E8199-030-01				
ANGLES: X° ±2° X.X° ±0.5°		SCALE : 1:1		DO NOT SCALE DRAWING		SHEET 1 OF 1	SIZE A3	REV 02