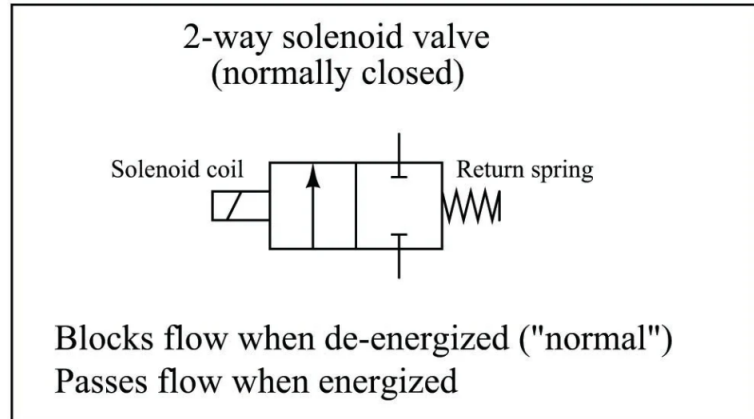




# Miniature On/Off Valve

## 2-WAY N.C. HIGH FLOW VALVES, IN-LINE & MANIFOLD MOUNT

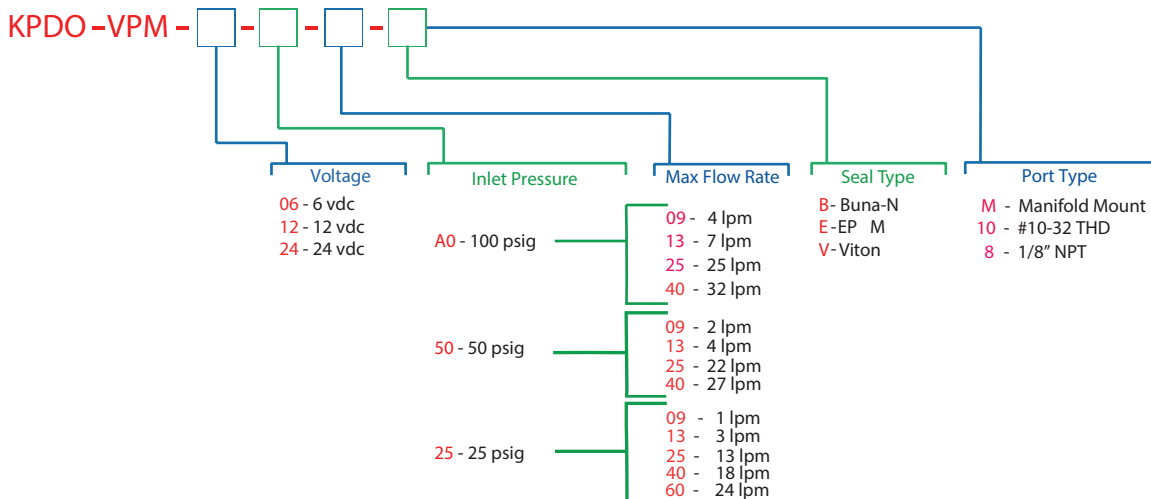


Kelly Pneumatics, offers a low volume flow Miniature ON/OFF Valve utilizing our unique valve design. This non-spool valve architecture employs one moving part, ensuring virtually friction-less control and longevity tested over 100 million cycles. The simplicity of the ON/OFF valve design also ensures relative ease when implementing maintenance or cleaning. We also offer alternative versions that are resistant to both high and low temperatures, therefore performing consistently in many different environments.

Medium	Clean, dry air (40 micron filter)
Power Consumption	0.67 watts; <b>Corrosion-Resistant:</b> 1.2 watts
Temperature Range	32 to 180° F; <b>Corrosion-Resistant:</b> 32 to 150° F
Response Time	5 - 10 ms (nominal)
Operating Range	90 to 150% of rated voltage
Seals	Nitrile and FKM

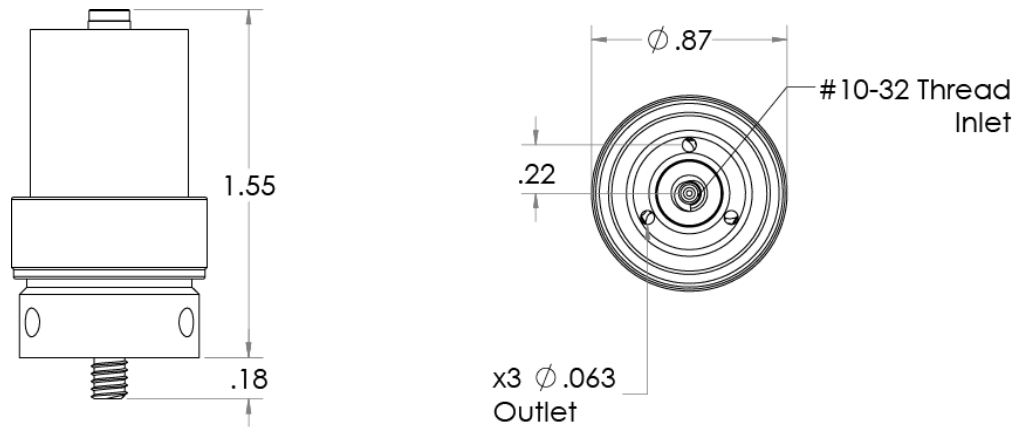
Pressure Range	Air Flow
28" Hg Vac. to 105 psig	22 l/min @ 100 psig (Cv = .013)
28" Hg Vac. to 50 psig	22 l/min @ 50 psig (Cv = .028)
28" Hg Vac. to 25 psig	22 l/min @ 25 psig (Cv = .043)

## Part Numbering System

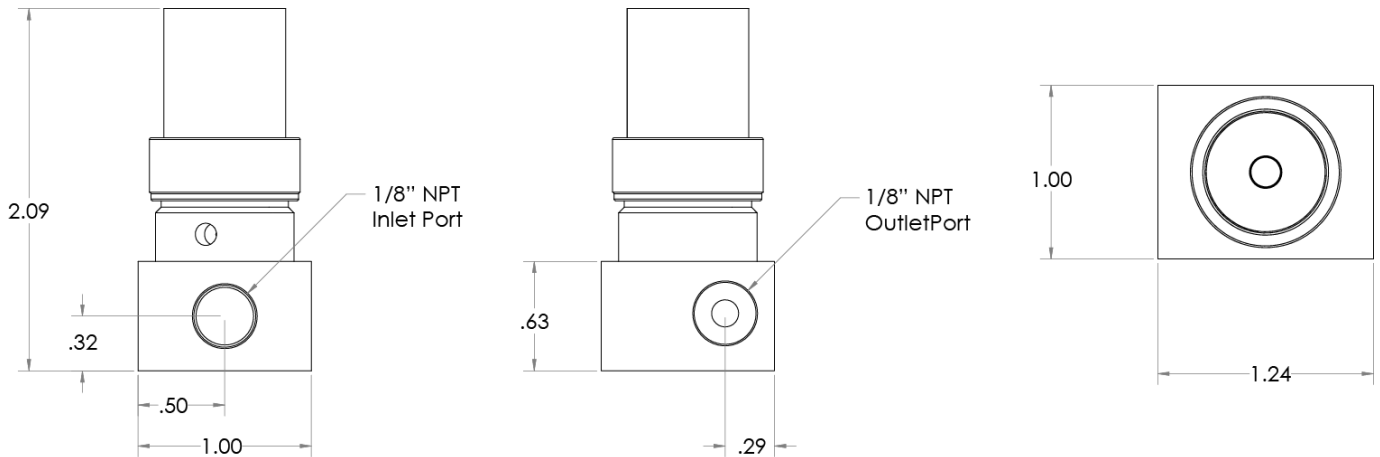


# Dimensions

## Manifold Mount Version



## 1/8" NPT Port Version



## #10-32 Port Version

